

# DIXON<sup>®</sup> ZTR<sup>®</sup>

## Parts Manual

**Ultra 52 / 966690601**

**Ultra 52 BF / 966690602**

**Ultra 61 / 966611801**

**Ultra 61BF / 966611802**

Please read the operator's manual carefully and make sure you understand the instructions before using the machine.



Gasoline containing up to 10% ethanol (E10) is acceptable for use in this machine. The use of any gasoline exceeding 10% ethanol (E10) will void the product warranty.

When you need spare parts or support in service questions, warranty issues, etc., please consult the following professional:

This Parts Manual belongs to the machine with the manufacturing number:	Engine	Transmission

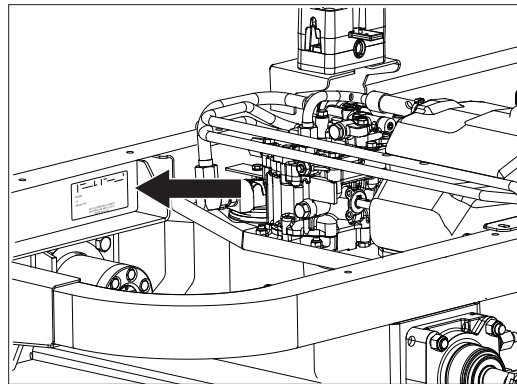
**Manufacturing Number**

*The machine's manufacturing number can be found on the printed plate affixed to the engine compartment. Illustration shown with engine removed.*

Stated on the plate, from the top are:

- The machine's type designation (I.D.).
- The manufacturer's type number (Model).
- The machine's serial number (Serial no.)

*Please have the type designation and serial number available when ordering spare parts.*



The engine's manufacturing number is stamped on one of the valve covers.

The plate states:

- The engine's model.
- The engine's type.
- Code

*Please have these available when ordering spare parts.*

The wheel motors and hydrostatic pumps have a barcode decal affixed at the rear.

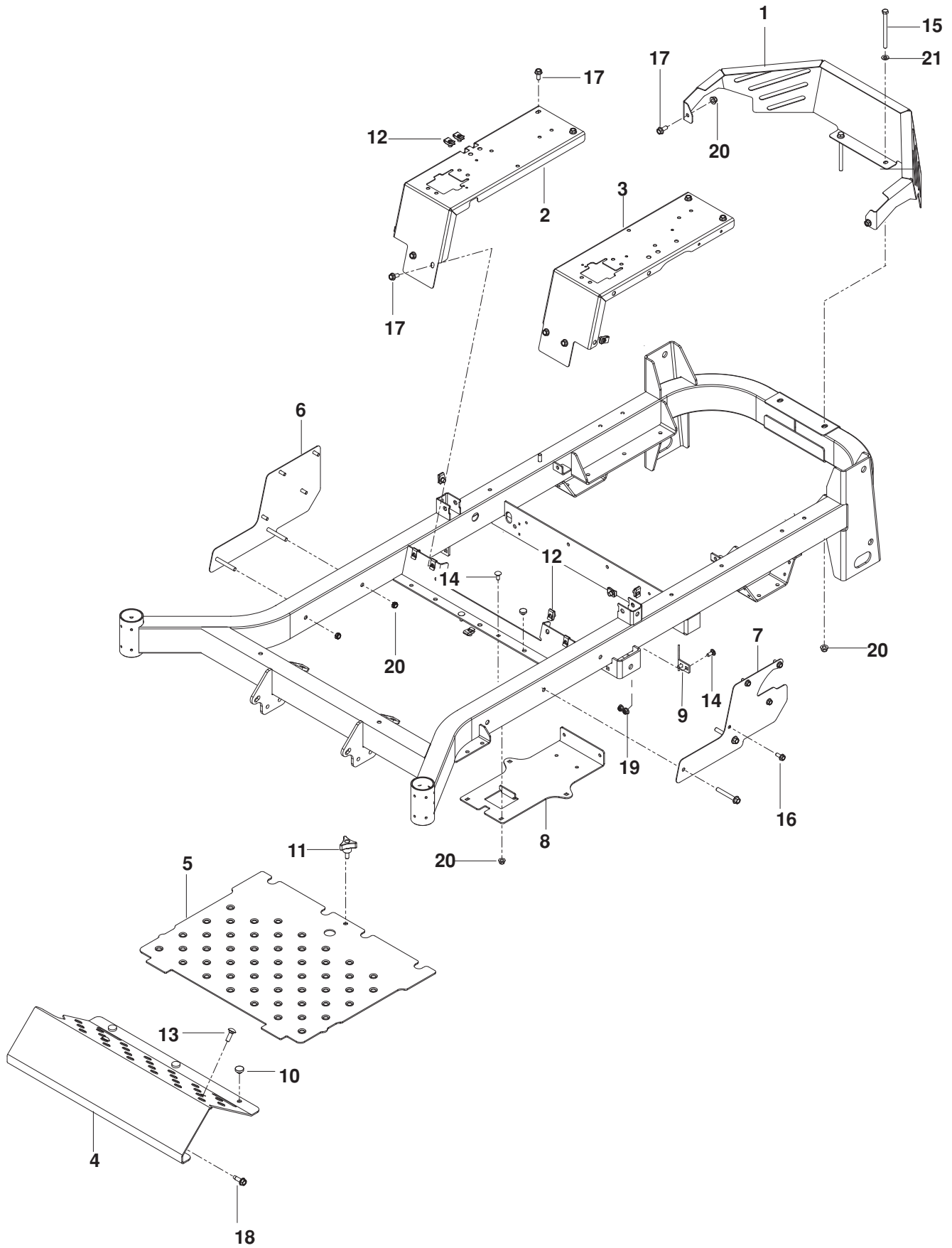
# CONTENTS

---

FRAME.....	4	WHEELS AND TIRES.....	18
ENGINE PLATE.....	6	MOWER LIFT / DECK LIFT .....	20
STEERING .....	8	MOWER DECK / CUTTING DECK	
IGNITION.....	10	52" DECK .....	22
ELECTRICAL .....	12	61" DECK .....	24
PARKING BRAKE .....	14	SEAT .....	26
HYDRAULIC PUMP-MOTOR.....	16	DECALS.....	28

NOTE: ALL FASTENERS ARE GRADE 5 UNLESS OTHERWISE SPECIFIED.

# FRAME

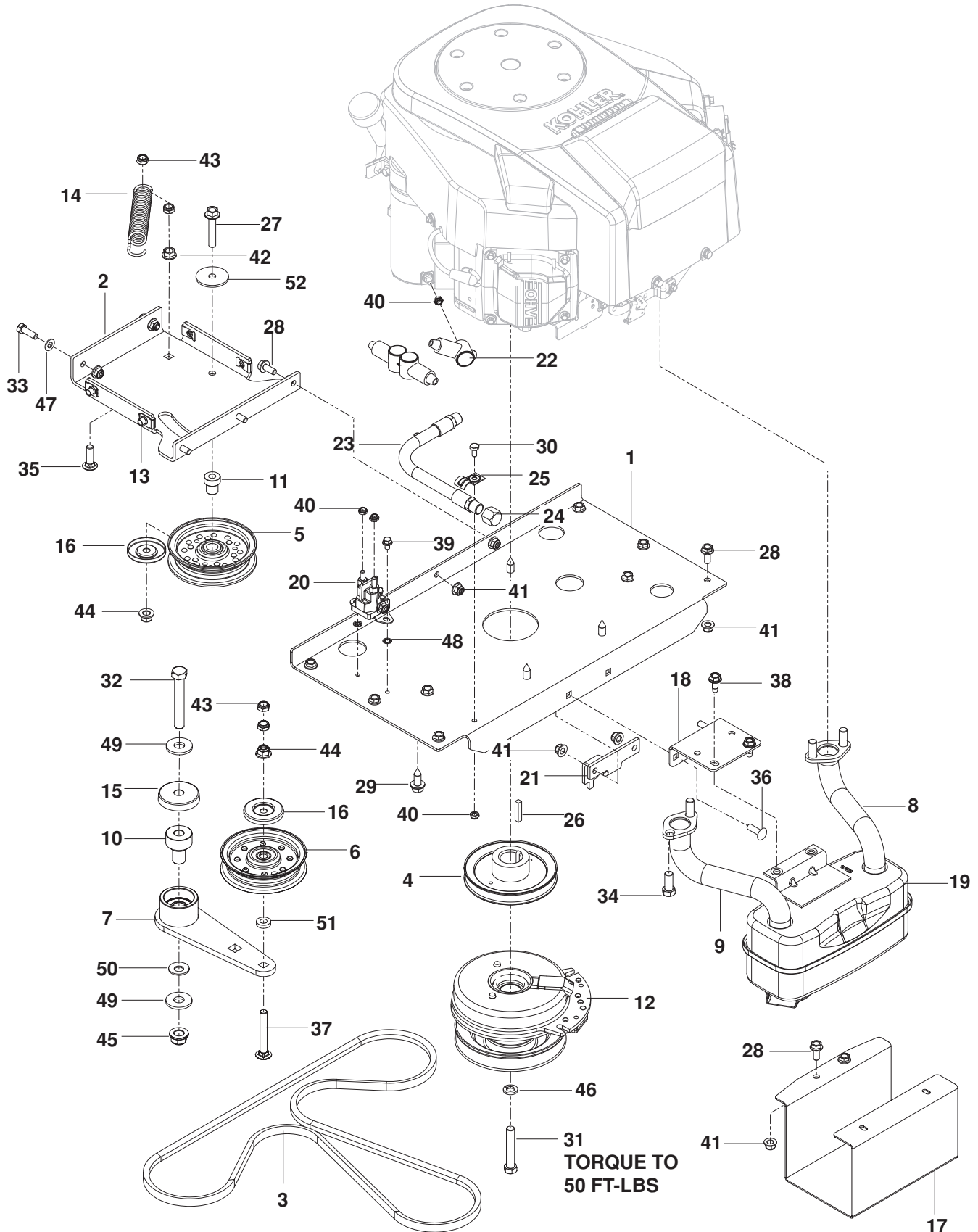


# FRAME

---

ITEM	PART NO.	QTY.	DESCRIPTION	ITEM	PART NO.	QTY.	DESCRIPTION
1..	576 878502....	1....	GUARD, REAR BLK	12..	539 104763..	15....	RETAINER, U TYPE
2..	577 256903....	1....	PANEL, FILLER RT BLU	13..	539 990208....	2....	RHSNB $\frac{5}{16}$ -18 x 1
3..	577 256803....	1....	PANEL, FILLER LT BLU	14..	539 990316....	6....	RHSNB $\frac{5}{16}$ -18 x $\frac{3}{4}$
4..	521 941302....	1....	PLATE, FOOT REST, BLU	15..	539 102335....	2....	HCS $\frac{5}{16}$ -18 x 4
5..	539 132845....	1....	PLATE, FLOOR, BLU	16..	539 131781....	5....	HHFS $\frac{3}{8}$ -16 x $2\frac{3}{4}$
6..	539 131687....	1....	SIDE, RT, BLU	17..	525 464701..	18....	HHFS $\frac{5}{16}$ -18 x $\frac{3}{4}$
7..	539 132179....	1....	SIDE, LT, BLU	18..	539 113226....	6....	BOLT $\frac{5}{16}$ -18 x 1 HX THD FRM
8..	575 017202....	1....	PLATE, BATTERY BLK	19..	539 112899..	20....	NUT $\frac{5}{16}$ -18 HEX FLG NYLOC
9..	505 256401....	2....	STOP, DECK	20..	539 200282....	4....	NUT $\frac{3}{8}$ -16 x $2\frac{3}{4}$
10..	539 102587....	7....	GROMMET, BUMPER	21..	539 990188....	2....	WASHER $\frac{5}{16}$ SAE
11..	539 104411....	1....	KNOB w/ STUD				

# ENGINE PLATE

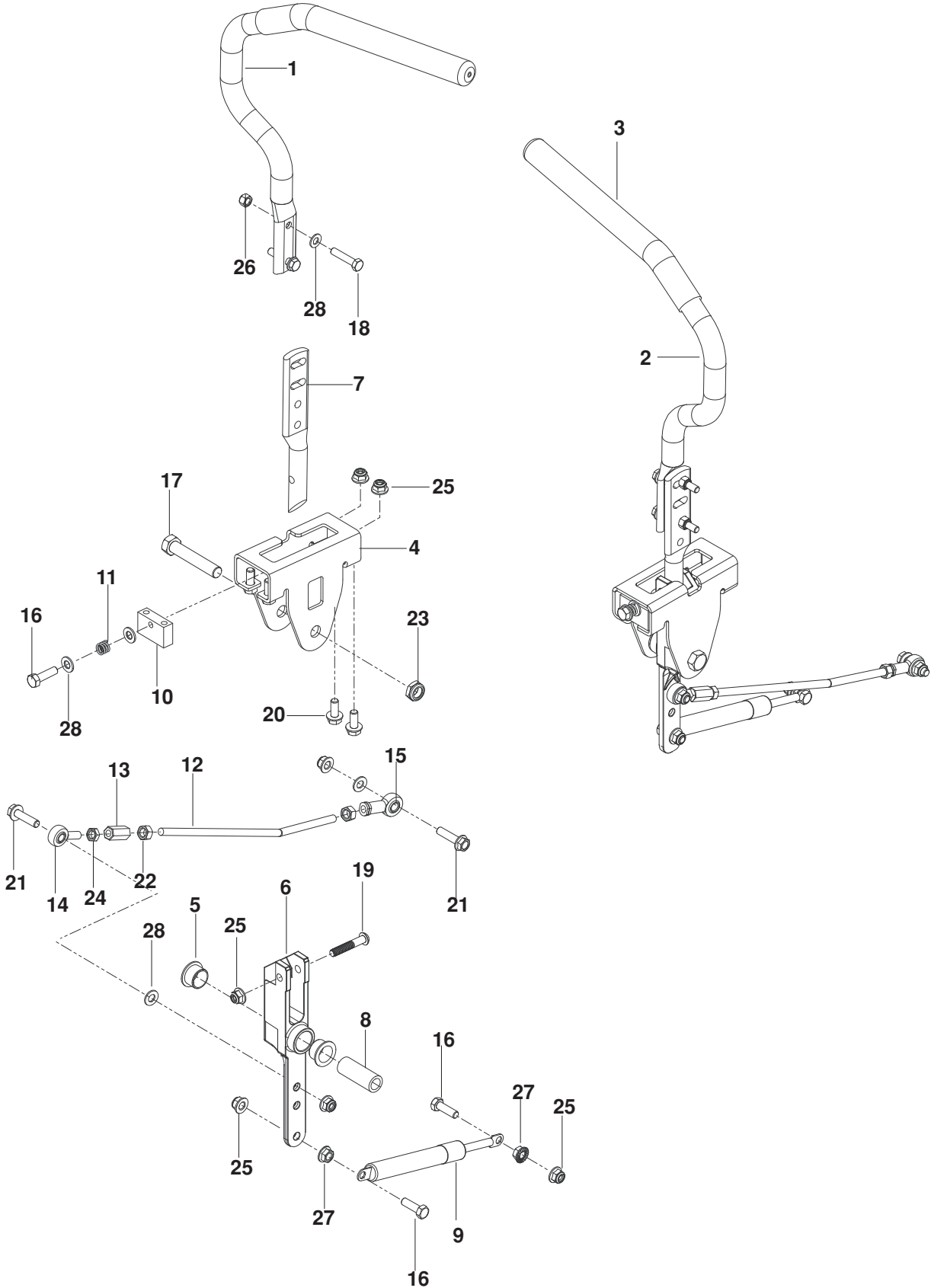


# ENGINE PLATE

---

ITEM	PART NO.	QTY.	DESCRIPTION	ITEM	PART NO.	QTY.	DESCRIPTION
1..	574 846302....	1....	PLATE, ENGINE	29..	532 120616....	4....	HHFS 3/8-16 x 1 THD FRM
2..	574 846402....	1....	PLATE, IDLER SUPPORT BLK	30..	539 990071....	1....	HCS 1/4-20 x 1/2
3..	574 870901....	1....	BELT, HYDRO	31..	539 991120....	1....	HCS 7/16-20 x 2 1/2
4..	574 811001....	1....	PULLEY	32..	539 103433....	1....	HCS 1/2-13 x 3 1/4
5..	539 976688....	1....	PULLEY, IDLER	33..	539 990209....	2....	HCS 5/16-18 x 1
6..	539 107620....	1....	PULLEY, IDLER SECONDARY	34..	539 976934....	4....	HCS 5/16-18 x 3/4
7..	510 041603....	1....	ARM, IDLER w/ BEARINGS	35..	539 100413....	1....	RHSNB 3/8-16 x 1 1/4
8..	532 146699....	1....	EXHAUST TUBE, RT	36..	539 107271....	2....	RHSNB 5/16-18 x 1
9..	532 146700....	1....	EXHAUST TUBE, LT	37..	539 130235....	1....	RHSNB 3/8-16 x 2 3/4
10..	510 206301....	1....	PIVOT, BEARING	38..	539 107475....	2....	BOLT 5/16-18 x 3/4 THD FRM
11..	525 435601....	1....	PIVOT, IDLER	39..	539 990302....	2....	SCREW 1/4-20 x 3/8 THD FRM
12..	574 607001....	1....	CLUTCH	40..	539 108120....	4....	NUT 1/4-20 THIN NYLOC
13..	539 104763....	4....	RETAINER, U TYPE	41..	539 112899..	15....	NUT 5/16-18 HEX FLG NYLOC
14..	510 254401....	1....	SPRING, PUMP	42..	539 990613....	1....	NUT 3/8-16 WHIZLK
15..	539 114662....	1....	SHIELD, DUST	43..	539 200282....	4....	NUT 3/8-16, JAM NYLOC
16..	510 254501....	2....	SHIELD, DUST	44..	521 996501....	2....	NUT 3/8-16 FLG NYLOC
17..	575 230402....	1....	SHIELD, MUFFLER	45..	521 991101....	1....	NUT 1/2-13 FLG NYLOC
18..	575 229902....	1....	BRACKET, MUFFLER	46..	539 990247....	1....	WASHER 7/16 SLW
19..	539 131604....	1....	MUFFLER	47..	539 990188....	2....	WASHER 5/16 SAE
20..	539 101714....	1....	SOLENOID	48..	539 990053....	2....	WASHER 1/4 INT TOOTH LK
21..	575 017302....	1....	STOP, CLUTCH	49..	539 109554....	2....	WASHER 1/2
22..	539 102759....	3....	INSULATOR	50..	539 115528....	1....	WASHER 1/2 BELLEVILLE
23..	539 101362....	1....	HOSE, DRAIN	51..	539 109562....	1....	WASHER 3/8
24..	539 101364....	1....	PLUG, OIL	52..	539 111897....	1....	WASHER 3/8 SPECIAL
25..	539 101363....	1....	CLAMP				NOT SHOWN
26..	539 912757....	1....	KEY 1/4 SQ x 1 1/4		539 102757....	1....	CABLE, POSITIVE
27..	525 866201....	1....	HHFS 3/8-16 x 2		539 107516....	1....	WIRING HARNESS
28..	525 464701..	13....	HHFS 5/16-18 x 3/4				

# STEERING



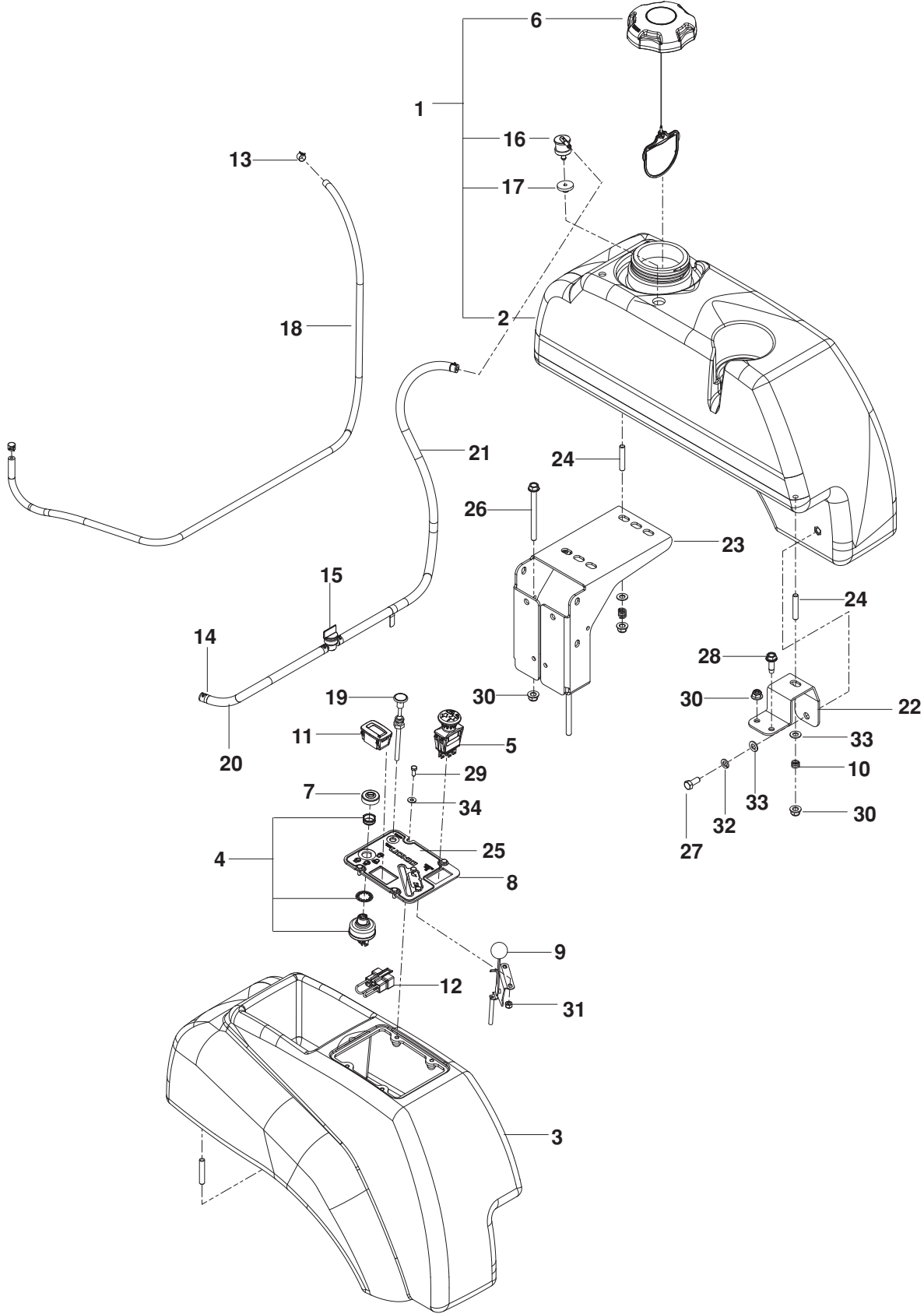


# STEERING

---

ITEM	PART NO.	QTY.	DESCRIPTION	ITEM	PART NO.	QTY.	DESCRIPTION
1..	539 132009....	1....	LEVER w/ GRIP RT	16..	539 990627....	5....	HCS $\frac{5}{16}$ -18 x $1\frac{1}{4}$
2..	539 132010....	1....	LEVER w/ GRIP LT	17..	539 101332....	2....	HCS $\frac{1}{2}$ -13 x $2\frac{3}{4}$
3..	539 130894....	2....	GRIP, FOAM	18..	539 976935....	4....	HCS $\frac{5}{16}$ -18 x $1\frac{1}{2}$
4..	577 251701....	2....	BRACKET, CONTROL	19..	576 850402....	2....	SCREW $\frac{5}{16}$ -18 X $1\frac{3}{4}$ BTN HD
5..	539 131518....	4....	BEARING, FLANGE	20..	525 464701....	8....	HHFS $\frac{5}{16}$ -18 X $\frac{3}{4}$
6..	576 140301....	2....	LEVER, CONTROL	21..	525 544001....	4....	HHFS $\frac{5}{16}$ -18 x $1\frac{1}{4}$ TPBLT
7..	577 420001....	2....	LEVER, HANDLE	22..	539 990223....	4....	NUT $\frac{5}{16}$ -24 HEX
8..	577 252401....	2....	SPACER, PIVOT CONTROL	23..	539 108010....	2....	NUT $\frac{1}{2}$ -13 HEX JAM NYL GR2
9..	539 102720....	2....	DAMPENER	24..	539 991073....	2....	NUT $\frac{5}{16}$ -24 HEX JAM LH
10..	577 251801 ...	2....	BLOCK, TRACKING	25..	539 112899..	10....	NUT $\frac{5}{16}$ -18 HEX FLG NYLOC
11..	539 102845....	2....	SPRING	26..	539 990717....	6....	NUT $\frac{5}{16}$ -18 HEX NYLOC
12..	574 811401....	2....	ROD, MOTION CONTROL	27..	539 990585....	4....	NUT $\frac{5}{16}$ -18 HEX WHIZLK
13..	539 116689....	2....	COUPLER, ROD END	28..	539 990188..	12....	WASHER $\frac{5}{16}$ SAE FLT
14..	539 115729....	2....	ROD END RT				
15..	539 116690....	2....	ROD END LT				

# IGNITION

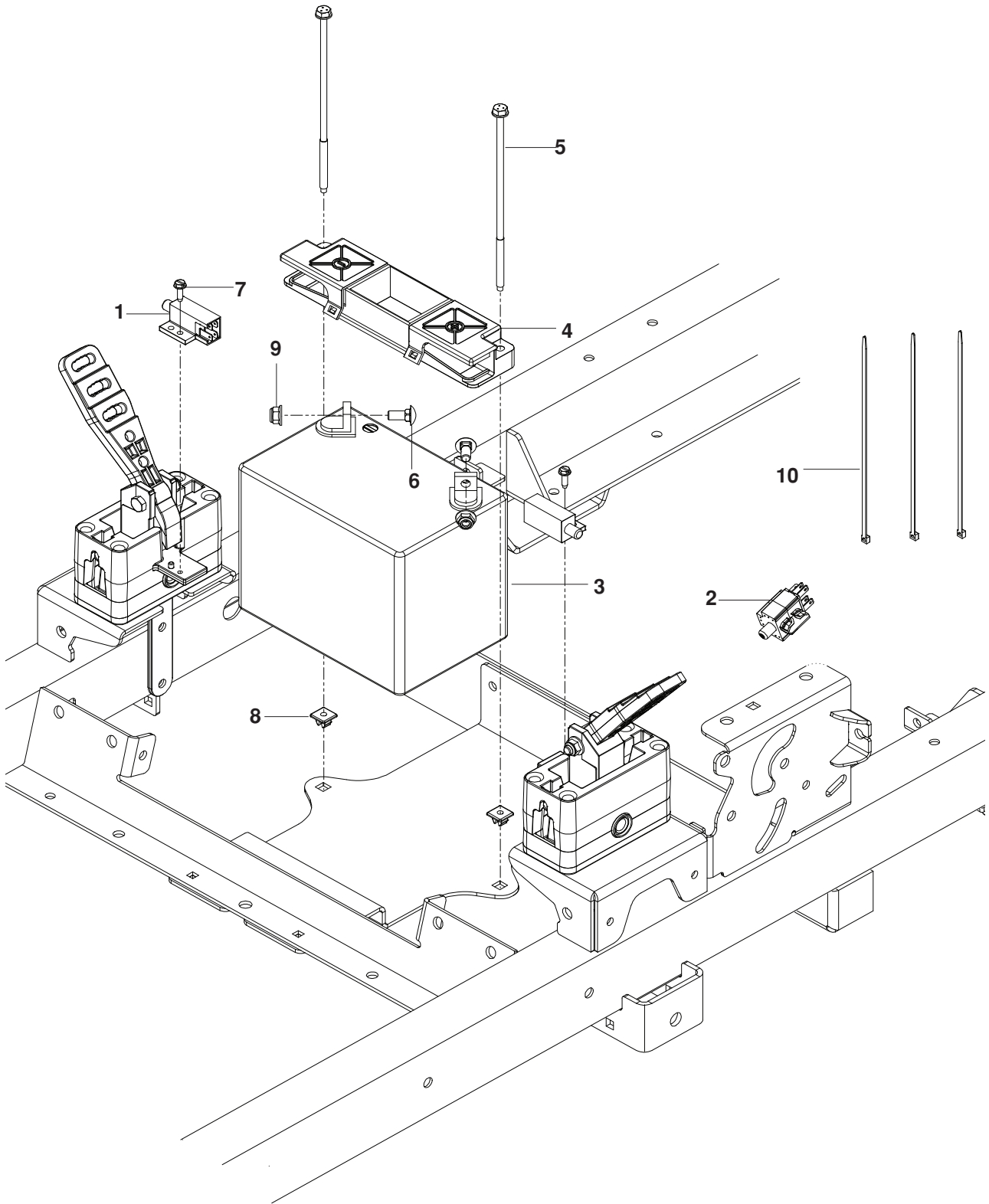


# IGNITION

---

ITEM	PART NO.	QTY.	DESCRIPTION	ITEM	PART NO.	QTY.	DESCRIPTION
1..	576 370202....	1....	TANK ASSY LT	19..	539 113458....	1....	CONTROL, CHOKE
2..	576 370201....	1....	TANK, FUEL LT BLK	20..	539 107765....	1....	HOSE, FUEL
3..	576 683701....	1....	CONSOLE, RT BLK	21..	539 932956....	1....	FUEL LINE, 10"
4..	574 455401....	1....	SWITCH, IGNITION	22..	539 131671....	2....	SUPPORT, TANK BLK
5..	539 131627....	1....	SWITCH, PTO 10 AMP	23..	575 533602....	2....	MOUNT, TANK BLK
6..	575 018101....	1....	FUEL CAP w/ TETHER	24..	539 102502....	6....	STUD <sup>5</sup> / <sub>16</sub> -18
7..	539 103178....	1....	CAP, IGNITION SWITCH	25..	574 841102....	1....	DECAL, CONTROL
8..	574 841204....	1....	PLATE, CONSOLE BLK	26..	539 131780....	4....	HHFS <sup>5</sup> / <sub>16</sub> -18 x 3 <sup>3</sup> / <sub>4</sub>
9..	539 102732....	1....	CABLE, THROTTLE	27..	539 976934....	2....	HCS <sup>5</sup> / <sub>16</sub> -18 x <sup>3</sup> / <sub>4</sub>
10..	539 102845....	6....	SPRING, TANK MOUNT	28..	539 113226....	3....	BOLT <sup>5</sup> / <sub>16</sub> -18 x 1 HX THD FRM
11..	576 179401....	1....	HOUR METER	29..	539 990411....	6....	SCREW #10-24 x 1/2, SLT
12..	575 321001....	1....	PLUG, TIMER	30..	539 112899..	11....	NUT <sup>5</sup> / <sub>16</sub> -18 HEX FLG NYLOC
13..	575 436501....	2....	CLAMP, HOSE	31..	539 976977....	2....	NUT #10-24 NYLOC
14..	539 912222....	4....	CLAMP, HOSE	32..	539 990187....	2....	WASHER <sup>5</sup> / <sub>16</sub> SLW
15..	539 916325....	1....	VALVE, FUEL	33..	539 990188....	8....	WASHER <sup>5</sup> / <sub>16</sub> SAE
16..	576 618101....	1....	VALVE, FUEL CHECK	34..	539 105408....	4....	WASHER #10
17..	576 618201....	1....	GROMMET, CHECK VALVE		NOT SHOWN		
18..	576 660602....	1....	HOSE, VAPOR		539 976856....	5....	WIRE TIE

# ELECTRICAL

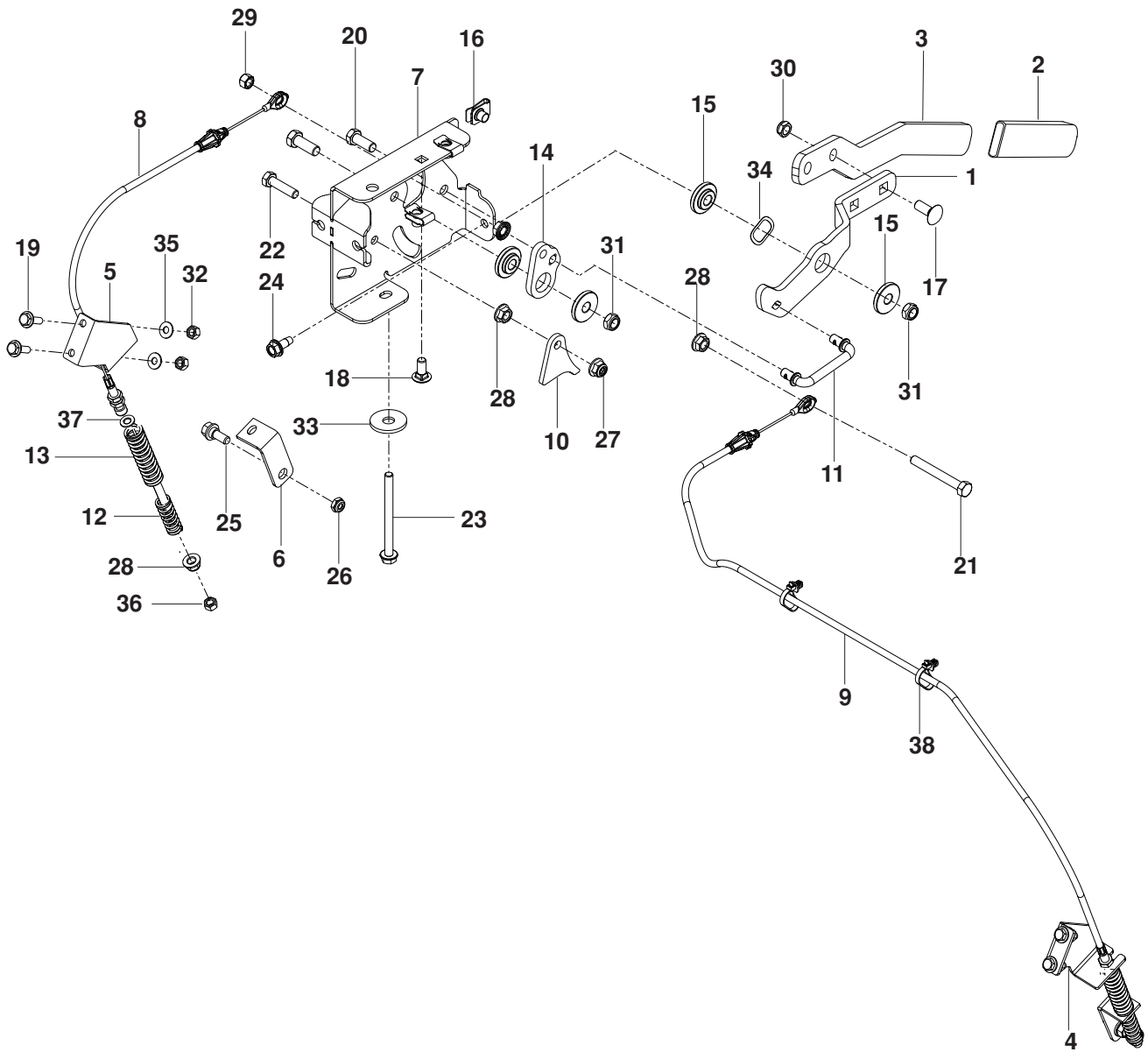


# ELECTRICAL

---

ITEM	PART NO.	QTY.	DESCRIPTION	ITEM	PART NO.	QTY.	DESCRIPTION
1..	539 101080....	2....	SWITCH N.C.	8..	539 107629....	2....	PUSH NUT, NYLON
2..	539 113792....	1....	SWITCH, BRAKE, 3-POLE	9..	539 112899....	2....	NUT <sup>5</sup> / <sub>16</sub> -18 HEX FLG NYLOC
3..	539 102436....	1....	BATTERY	10..	539 976856....	3....	WIRE TIE
4..	539 107628....	1....	HOLD DOWN, BATTERY		NOT SHOWN		
5..	539 107632....	2....	BOLT <sup>1</sup> / <sub>4</sub> x 7 <sup>1</sup> / <sub>2</sub>		539 104974....	1....	CABLE, POSITIVE
6..	539 990316....	2....	RHSNB <sup>5</sup> / <sub>16</sub> -18 x <sup>3</sup> / <sub>4</sub>		539 107645....	1....	CABLE, NEGATIVE
7..	539 991034....	2....	SCREW 10-24 x <sup>5</sup> / <sub>8</sub> WASH HD		575 320901....	1....	MAIN HARNESS

# PARKING BRAKE

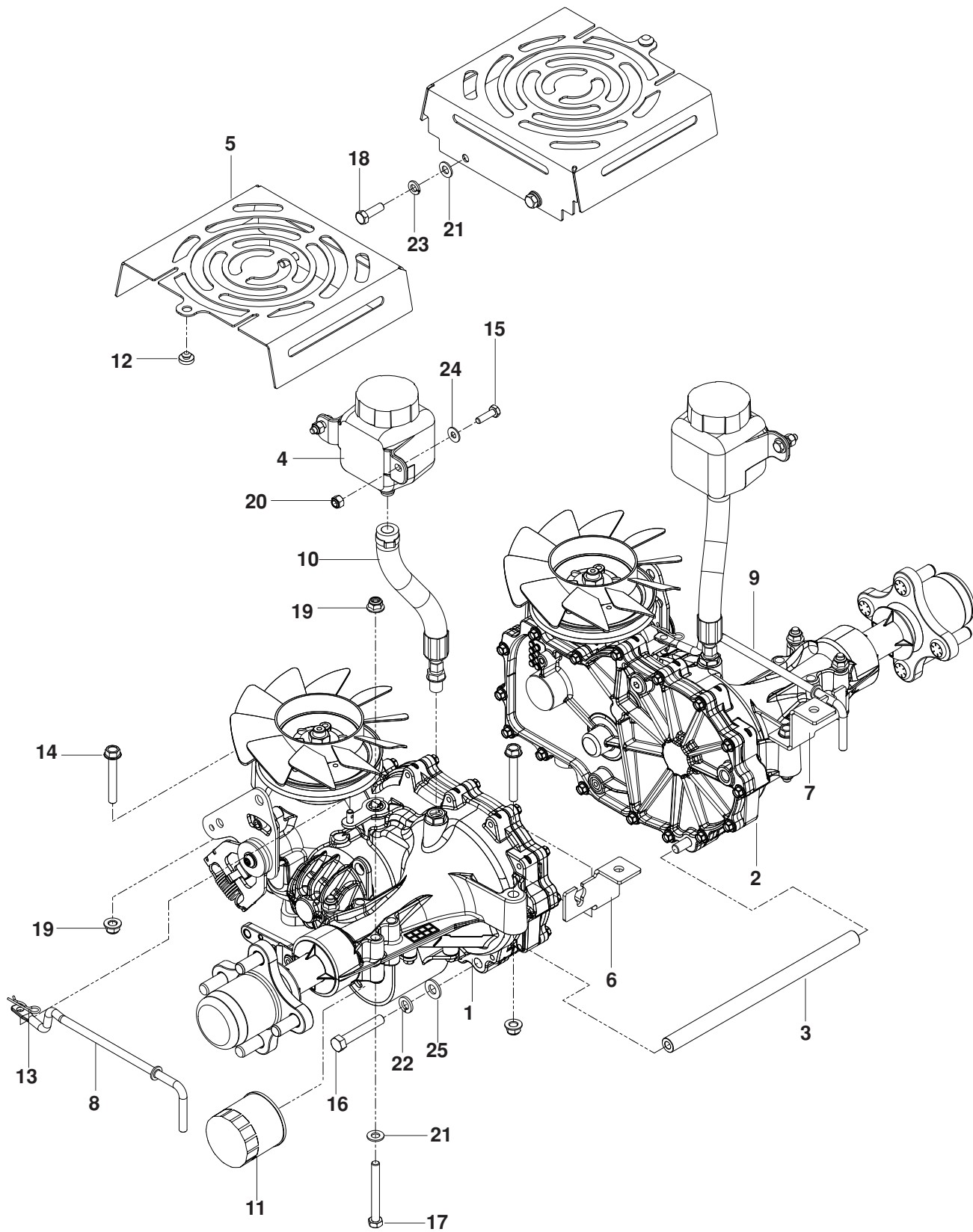


# PARKING BRAKE

---

ITEM	PART NO.	QTY.	DESCRIPTION	ITEM	PART NO.	QTY.	DESCRIPTION
1..	539 132423....	1....	LEVER, BRAKE	20..	539 990563....	2....	HCS $\frac{3}{8}$ -16 x 1
2..	539 120921....	1....	GRIP, BRAKE HANDLE	21..	539 108396....	1....	HCS $\frac{5}{16}$ -18 x 2 $\frac{1}{2}$ TPBLT
3..	575 017502....	1....	ARM, BRAKE	22..	539 990209....	1....	HCS $\frac{5}{16}$ -18 x 1
4..	575 229602....	1....	BRACKET, RT	23..	539 131780....	1....	HHFS $\frac{5}{16}$ -18 x 3 $\frac{3}{4}$
5..	575 229702....	1....	BRACKET, LT	24..	539 107475....	1....	BOLT $\frac{5}{16}$ -18 x $\frac{3}{4}$ THD FRM
6..	575 229802....	2....	BRACKET, BRAKE	25..	539 110303....	2....	BOLT $\frac{5}{16}$ SHOLDER
7..	539 132158....	1....	MOUNT, BRAKE	26..	539 115617....	2....	NUT $\frac{5}{16}$ HEX NYLOC
8..	539 132173....	1....	CABLE, BRAKE, SHORT	27..	539 112899....	4....	NUT $\frac{5}{16}$ -18 HEX FLG NYLOC
9..	539 132174....	2....	CABLE, BRAKE, LONG	28..	539 990585....	3....	NUT $\frac{5}{16}$ -18 HEX WHIZLK
10..	539 132154....	1....	ACTUATOR, SWITCH	29..	539 990717....	1....	NUT $\frac{5}{16}$ -18 HEX NYLOC
11..	539 132424....	1....	LINKAGE, BRAKE	30..	521 996501....	2....	NUT $\frac{3}{8}$ -16 HEX FLG NYLOC
12..	575 230301....	2....	SPRING, ENGAGEMENT	31..	539 200282....	2....	NUT $\frac{3}{8}$ -16 HEX JAM NYLOC
13..	575 230201....	2....	SPRING, RETURN	32..	539 976978....	4....	NUT $\frac{1}{4}$ -20 HEX NYLOC
14..	539 132153....	1....	BELLCRANK, BRAKE	33..	539 109554....	1....	WASHER $\frac{1}{2}$ FLT
15..	539 132161....	4....	BUSHING, BRAKE	34..	539 133007....	1....	WASHER .825 WAVE
16..	539 104763....	3....	RETAINER, U TYPE	35..	539 990055....	8....	WASHER $\frac{1}{4}$ FLT SAE
17..	539 990645....	2....	RHSNB $\frac{3}{8}$ -16 x 1	36..	539 107897....	2....	NUT $\frac{5}{16}$ -18 JAM
18..	539 990316....	1....	RHSNB $\frac{5}{16}$ -18 x $\frac{3}{4}$	37..	539 990122....	2....	WASHER $\frac{3}{8}$ SAE
19..	539 990643....	4....	HCS $\frac{1}{4}$ -20 x $\frac{7}{8}$	38..	505 280001....	2....	TIE w/ CLIP

# HYDRAULIC PUMP-MOTOR



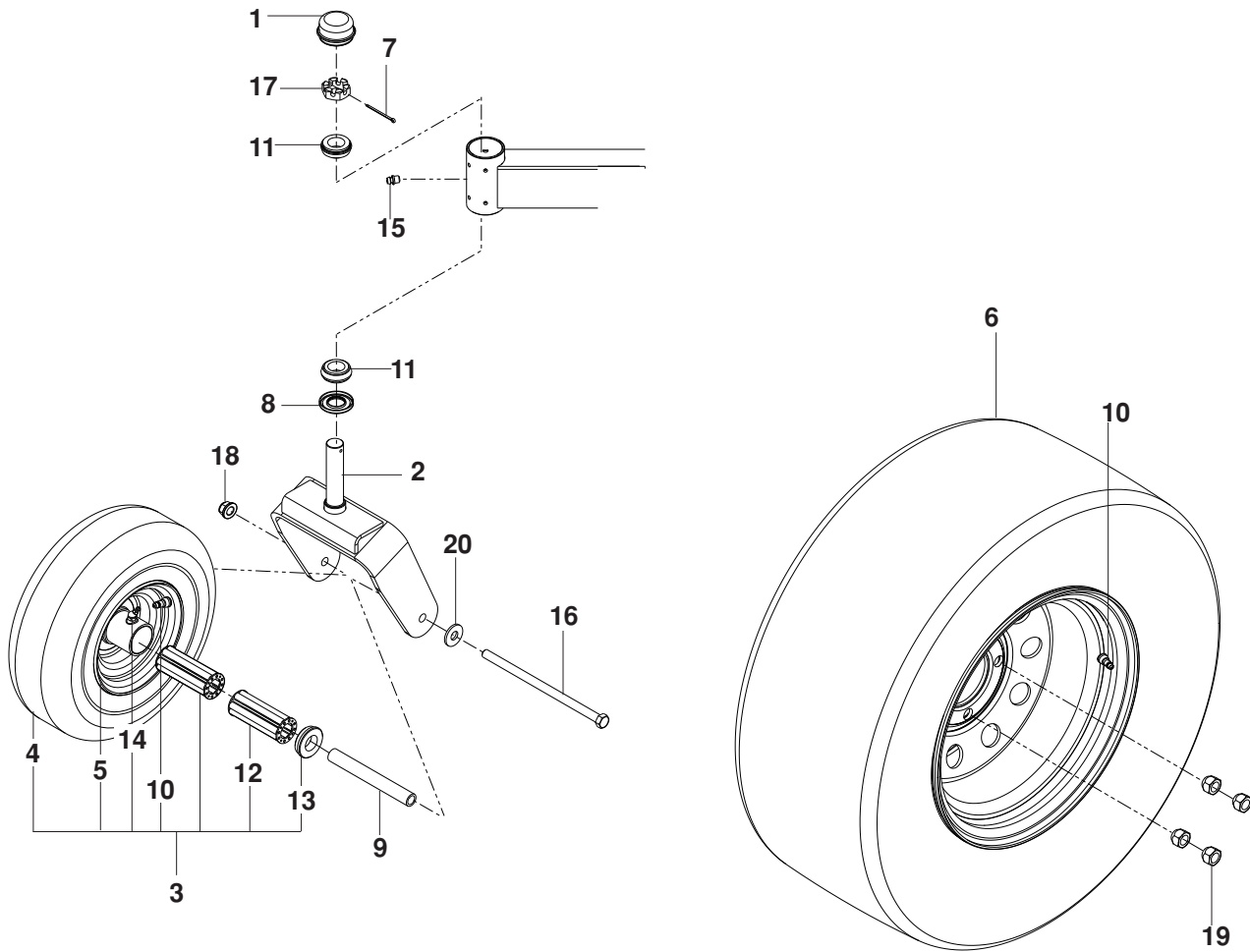


# HYDRAULIC PUMP-MOTOR

---

ITEM	PART NO.	QTY.	DESCRIPTION	ITEM	PART NO.	QTY.	DESCRIPTION
1..	574 569101....	1....	TRANS, ZT-3400, LT	14..	574 233801....	4....	HHFS $\frac{5}{16}$ -18 x 2 $\frac{1}{4}$
2..	574 569102....	1....	TRANS, ZT-3400, RT	15..	539 990643....	4....	HCS $\frac{1}{4}$ -20 x $\frac{7}{8}$
3..	574 868501....	1....	TUBE, SPACER, 3400	16..	539 108551....	2....	HCS $\frac{3}{8}$ -16 x 2 $\frac{1}{2}$ GR8
4..	574 811301....	2....	TANK, EXPANSION	17..	539 101721....	4....	HCS $\frac{5}{16}$ -18 x 2 $\frac{3}{4}$
5..	575 778202....	2....	COVER, FAN	18..	539 990209....	4....	HCS $\frac{5}{16}$ -18 x 1
6..	575 017102....	1....	BRACKET, TRANS, LT	19..	539 112899....	8....	NUT $\frac{5}{16}$ -18 HEX FLG NYLOC
7..	575 017002....	1....	BRACKET, TRANS, RT	20..	539 976978....	4....	NUT $\frac{1}{4}$ -20 HEX NYLOC
8..	539 131616....	1....	LINKAGE, LEFT BYPASS	21..	539 990188....	8....	WASHER $\frac{5}{16}$ SAE FLT
9..	539 131618....	1....	LINKAGE, RIGHT BYPASS	22..	539 990118....	2....	WASHER $\frac{3}{8}$ SPLT LK
10..	574 892101....	2....	HOSE, EXPANSION	23..	539 990187....	4....	WASHER $\frac{5}{16}$ SLW
11..	539 113466....	2....	FILTER, HYDRO	24..	539 990055....	4....	WASHER $\frac{1}{4}$ SAE FLT
12..	539 102587....	2....	GROMMET, BUMPER	25..	539 990122....	2....	WASHER $\frac{3}{8}$ SAE FLT
13..	539 976988....	2....	HAIRPIN COTTER				

# WHEELS AND TIRES

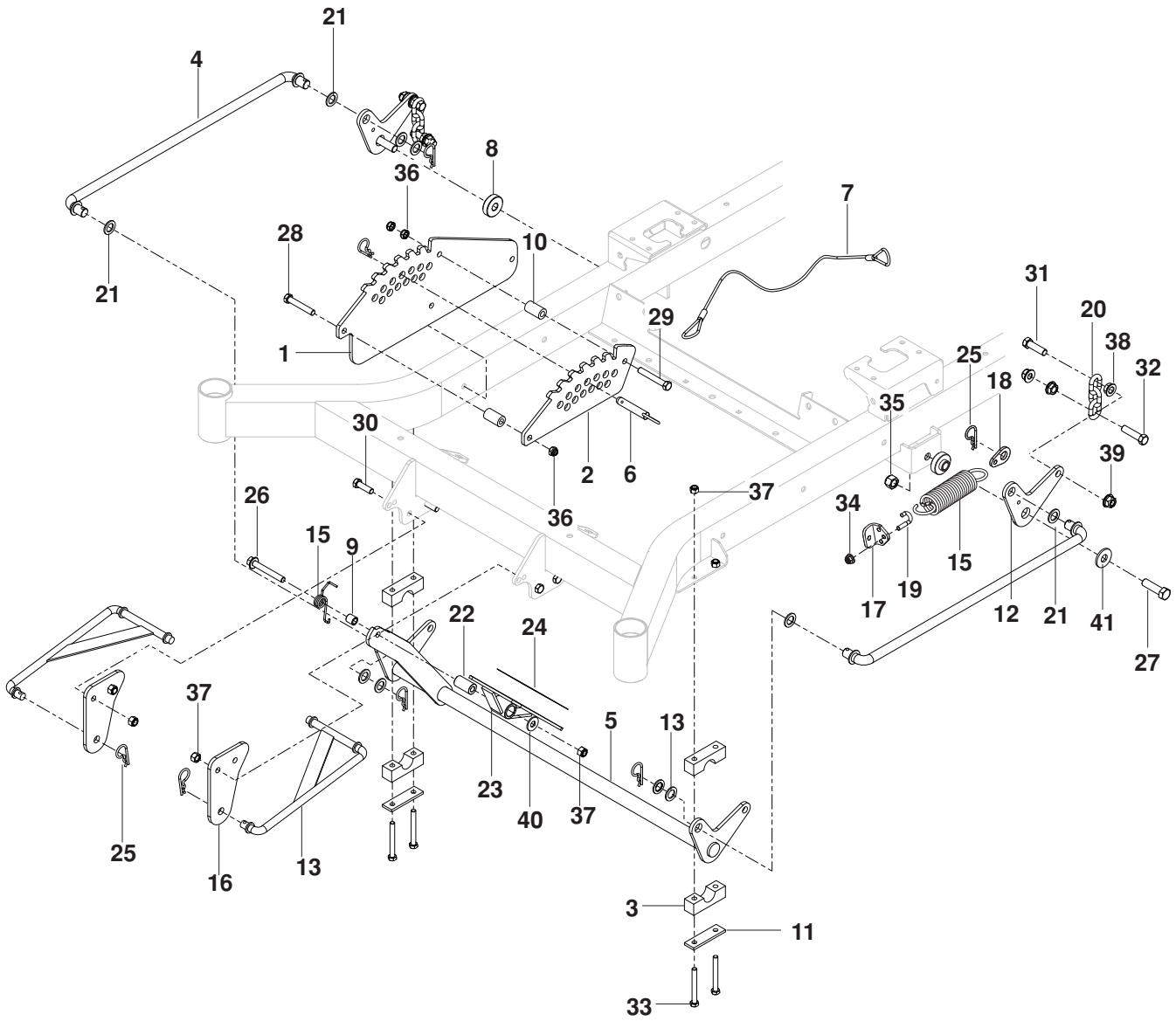


# WHEELS AND TIRES

---

ITEM	PART NO.	QTY.	DESCRIPTION	ITEM	PART NO.	QTY.	DESCRIPTION
1..	539 102535....	2....	CAP, GREASE	10..	539 912234....	4....	AIR VALVE
2..	575 329203....	2....	YOKE, CASTER	11..	539 102543....	4....	BEARING
3..	575 348701....	2....	WHEEL ASSY 13 x 6.5	12..	539 105307....	4....	BEARING 3¼ CAGE
4..	575 622201....	2....	TIRE, 13 x 6.5	13..	539 102484....	4....	BEARING, FLANGED
5..	575 622101....	2....	RIM, CASTER TIRE	14..	539 103300....	2....	ZERK
6..	539 108881....	2....	WHEEL ASSY, 23 x 10.5-12 966611801, 966611802	15..	539 101474....	2....	ZERK
	521 964101....	2....	WHEEL ASSY, 23 x 9.5-12 966690601, 966690602	16..	539 105517....	2....	HCS ½-13 x 9½
7..	539 102889....	2....	COTTER PIN 1/8 x 2	17..	539 102852....	2....	NUT 1"-14 SLOTTED JAM
8..	539 102851....	2....	SEAL	18..	521 991101 ...	2....	NUT ½-13 HEX FLG NYLOC
9..	575 334901....	2....	SPACER, PIVOT	19..	539 101173....	8....	NUT ½-20 LUG
				20..	539 109554....	2....	WASHER ½ FLT

# MOWER LIFT / DECK LIFT

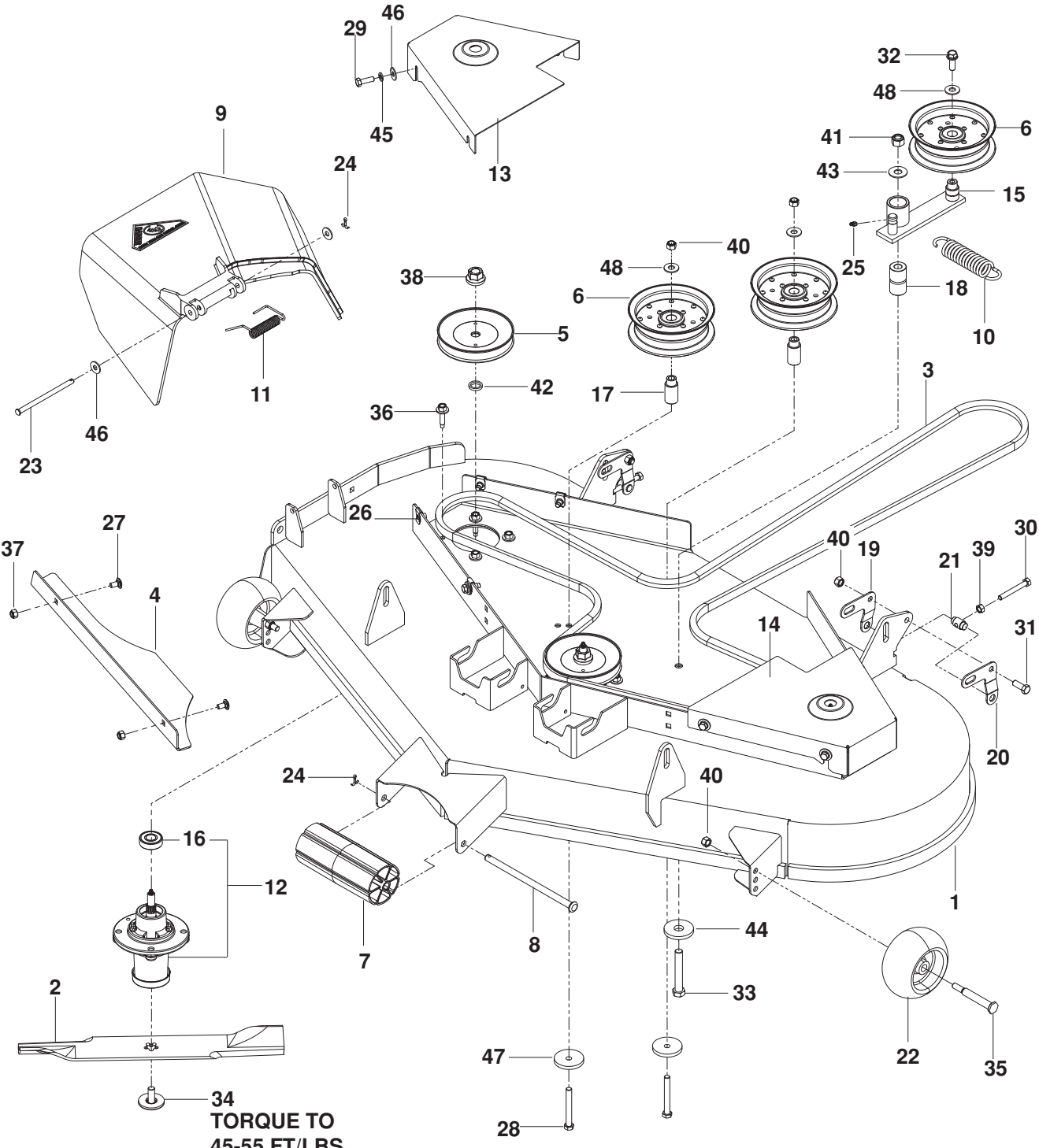


# MOWER LIFT / DECK LIFT

ITEM	PART NO.	QTY.	DESCRIPTION	ITEM	PART NO.	QTY.	DESCRIPTION
1..	539 133004....	1....	PLATE, HEIGHT, MAIN	22..	539 101836....	1....	BUSHING, SLEEVE
2..	539 132899....	1....	PLATE, HEIGHT	23..	539 114280....	1....	PEDAL, FOOT
3..	539 104808....	4....	PILLOW BLOCK	24..	539 121322....	1....	PAD, FOOT
4..	539 110808....	2....	LINK, LIFT	25..	539 115501....	7....	COTTER PIN
5..	539 131866....	1....	SHAFT, LIFT	26..	539 131781....	1....	HHFS $\frac{3}{8}$ -16 x $2\frac{3}{4}$
6..	539 102526....	1....	PIN, LIFT	27..	539 108181....	2....	HCS $\frac{1}{2}$ -13 x $1\frac{3}{4}$ GR 8
7..	539 105059....	1....	LANYARD	28..	539 990629....	1....	HCS $\frac{3}{8}$ -16 x $2\frac{1}{4}$
8..	539 118937....	2....	SPACER, IDLER	29..	539 990637....	1....	HCS $\frac{3}{8}$ -16 x $2\frac{1}{2}$
9..	539 132852....	1....	SPACER	30..	539 976941....	4....	HCS $\frac{3}{8}$ -16 x $1\frac{1}{4}$
10..	539 104530....	2....	SPACER	31..	539 101175....	4....	HCS $\frac{7}{16}$ -14 x $1\frac{1}{2}$
11..	539 104807....	2....	BAR, REINFORCEMENT	32..	539 108073....	4....	HCS $\frac{7}{16}$ -14 x $1\frac{3}{4}$
12..	539 132378....	2....	BELLCRANK, REAR	33..	539 101721....	4....	HCS $\frac{5}{16}$ -18 x $2\frac{3}{4}$
13..	539 112223....	2....	LINKAGE, STRUT	34..	539 112899....	6....	NUT $\frac{5}{16}$ -18 FLANGE NYLOC
14..	539 132850....	1....	SPRING, TORSION	35..	539 101331....	2....	NUT $\frac{1}{2}$ HEX NYLOC
15..	539 102642....	1....	SPRING	36..	539 200282....	3....	NUT $\frac{3}{8}$ -16 HEX JAM NYLOC
16..	539 132017....	2....	BRACKET, STRUT	37..	539 976979....	5....	NUT $\frac{3}{8}$ -16 HEX NYLOC
17..	539 131791....	1....	MOUNT, SPRING	38..	539 102582....	8....	NUT $\frac{7}{16}$ -14 HEX WHIZ LK
18..	539 131792....	1....	TAB, SPRING	39..	539 132019....	8....	NUT $\frac{7}{16}$ -14 HEX WHIZ LK SP
19..	539 112896....	1....	J-BOLT	40..	539 990517....	1....	WASHER $\frac{3}{8}$ FLT
20..	539 109693....	4....	LIFT CHAIN, 3 LINK	41..	539 109554....	2....	WASHER $\frac{1}{2}$ FLT
21..	539 991043..	10....	BUSHING, .625				

# MOWER DECK / CUTTING DECK

## 52" DECK



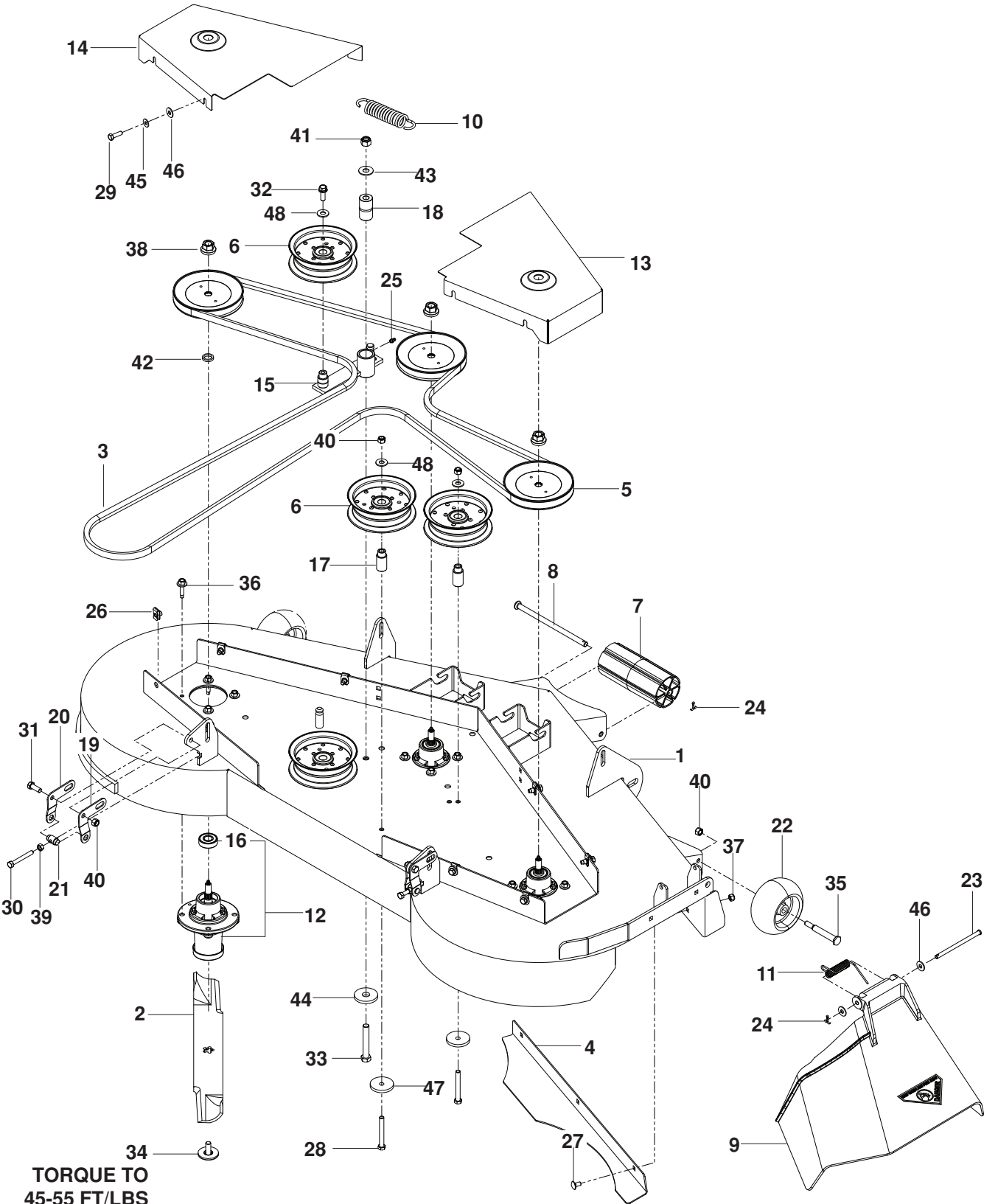
# MOWER DECK / CUTTING DECK

---

ITEM	PART NO.	QTY.	DESCRIPTION	ITEM	PART NO.	QTY.	DESCRIPTION
1..	524 853201....	1....	DECK w/ DECALS	25..	539 976998....	1....	ZERK
2..	510 417801....	3....	BLADE 18"	26..	539 104763....	8....	RETAINER, U TYPE
3..	522 811301....	1....	V-BELT	27..	539 990799....	2....	RHSNB $\frac{5}{16}$ -18 x $\frac{5}{8}$
4..	539 112417....	1....	PLATE, CONFINEMENT	28..	539 101341....	2....	HCS $\frac{3}{8}$ -16 x 3
5..	539 112171....	3....	PULLEY	29..	539 990209....	8....	HCS $\frac{5}{16}$ -18 x 1
6..	539 132728....	3....	PULLEY, IDLER	30..	539 108396....	2....	HCS $\frac{5}{16}$ -18 x 2 $\frac{1}{2}$ TPBLT
7..	532 176066....	1....	ROLLER, NOSE	31..	539 990563....	2....	HCS $\frac{3}{8}$ -16 x 1
8..	539 107613....	1....	ROD, ROLLER	32..	539 990582....	1....	HCS $\frac{3}{8}$ -16 x 1 WHIZLK
9..	539 110733....	1....	CHUTE, DISCHARGE	33..	539 103433....	1....	HCS $\frac{1}{2}$ -13 x 3 $\frac{1}{4}$
10..	539 103256....	1....	SPRING	34..	532 193003....	3....	BLADE BOLT ASSY
11..	539 110735....	1....	SPRING, TORSION	35..	539 107608....	2....	BOLT $\frac{1}{2}$ x 2 $\frac{5}{8}$ SHOULDER
12..	539 112170....	3....	HOUSING ASSY	36..	539 107630..	12....	SCREW, WASHER HEAD
13..	510 259601....	1....	BELT SHIELD RT	37..	539 990717....	2....	NUT $\frac{5}{16}$ -18 HEX NYLOC
14..	510 259701....	1....	BELT SHIELD LT	38..	539 107590....	3....	NUT $\frac{9}{16}$ TOP CNTRLK
15..	539 112198....	1....	ARM, IDLER	39..	539 990196....	2....	NUT $\frac{5}{16}$ -18 HEX
16..	539 112050....	1....	BEARING, BALL	40..	539 976979....	6....	NUT $\frac{3}{8}$ -16 HEX NYLOC
17..	539 112169....	2....	BUSHING, IDLER	41..	539 101331....	1....	NUT $\frac{1}{2}$ HEX NYLOC
18..	539 103427....	1....	BUSHING, PIVOT	42..	539 107520....	3....	WASHER-SPACER
19..	539 131857....	2....	PITCH, ADJUST RT	43..	539 990550....	1....	WASHER $\frac{1}{2}$ STD FLT
20..	539 131858....	2....	PITCH, ADJUST LT	44..	539 102243....	1....	WASHER, SUPPORT
21..	539 131859....	2....	TRUNION, PITCH	45..	539 990187....	8....	WASHER $\frac{5}{16}$ SLW
22..	539 107610....	2....	WHEEL, GAUGE	46..	539 990692..	10....	WASHER $\frac{5}{16}$ STD FLT
23..	539 110736....	1....	PIN, CLEVIS $\frac{5}{16}$	47..	539 106504....	2....	WASHER, HEAVY
24..	539 990365....	2....	PIN, COTTER $\frac{1}{8}$ x $\frac{3}{4}$	48..	539 990517....	3....	WASHER $\frac{3}{8}$ STD FLT

# MOWER DECK / CUTTING DECK

## 61" DECK



**TORQUE TO  
45-55 FT/LBS**

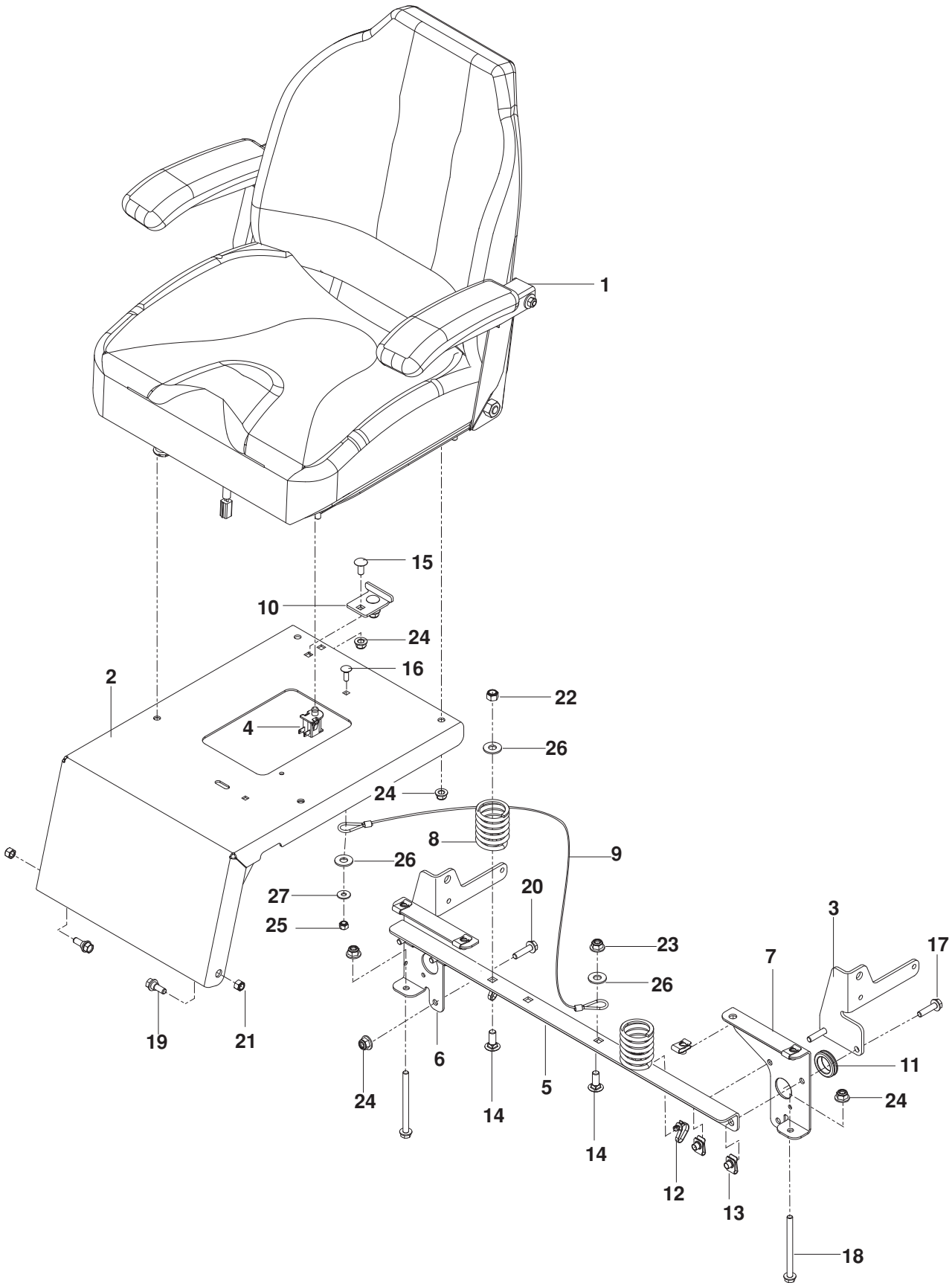


# MOWER DECK / CUTTING DECK

---

ITEM	PART NO.	QTY.	DESCRIPTION	ITEM	PART NO.	QTY.	DESCRIPTION
1..	525 301601....	1....	DECK w/ DECALS	25..	539 976998....	1....	ZERK
2..	510 417901....	3....	BLADE 21"	26..	539 104763....	8....	RETAINER, U TYPE
3..	539 104335....	1....	V-BELT	27..	539 990799....	3....	RHSNB $\frac{5}{16}$ -18 x $\frac{5}{8}$
4..	539 113317....	1....	PLATE, CONFINEMENT	28..	539 101341....	2....	HCS $\frac{3}{8}$ -16 x 3
5..	539 113300....	3....	PULLEY	29..	539 976934....	8....	HCS $\frac{5}{16}$ -18 x 1
6..	539 132728....	3....	PULLEY, IDLER	30..	539 108396....	2....	HCS $\frac{5}{16}$ -18 x 2 $\frac{1}{2}$ TPBLT
7..	532 176066....	1....	ROLLER, NOSE	31..	539 990563....	2....	HCS $\frac{3}{8}$ -16 x 1
8..	532 179127....	1....	ROD, ROLLER	32..	539 990582....	1....	HCS $\frac{3}{8}$ -16 x 1 WHIZLK
9..	539 110734....	1....	CHUTE, DISCHARGE	33..	539 103433....	1....	HCS $\frac{1}{2}$ -13 x 3 $\frac{1}{4}$
10..	539 103256....	1....	SPRING	34..	532 193003....	3....	BLADE BOLT ASSY
11..	539 110735....	1....	SPRING, TORSION	35..	539 107608....	2....	BOLT $\frac{1}{2}$ x 2 $\frac{5}{8}$ SHOULDER
12..	539 112170....	3....	HOUSING ASSY	36..	539 107630..	12....	SCREW, WASHER HEAD
13..	510 260101....	1....	BELT SHIELD RT	37..	539 990717....	3....	NUT $\frac{5}{16}$ -18 HEX NYLOC
14..	510 260201....	1....	BELT SHIELD LT	38..	539 107590....	3....	NUT $\frac{9}{16}$ TOP CNTRLK
15..	539 112198....	1....	ARM, IDLER	39..	539 990196....	2....	NUT $\frac{5}{16}$ -18 HEX
16..	539 112050....	1....	BEARING, BALL	40..	539 976979....	6....	NUT $\frac{3}{8}$ -16 HEX NYLOC
17..	539 112169....	2....	BUSHING, IDLER	41..	539 101331....	1....	NUT $\frac{1}{2}$ HEX NYLOC
18..	539 103427....	1....	BUSHING, PIVOT	42..	539 107520....	3....	WASHER-SPACER
19..	539 131857....	2....	PITCH, ADJUST RT	43..	539 990550....	1....	WASHER $\frac{1}{2}$ STD FLT
20..	539 131858....	2....	PITCH, ADJUST LT	44..	539 102243....	1....	WASHER, SUPPORT
21..	539 131859....	2....	TRUNION, PITCH	45..	539 109600....	8....	WASHER $\frac{5}{16}$ DISC SPRING
22..	539 107610....	2....	WHEEL, GAUGE	46..	539 990692..	10....	WASHER $\frac{5}{16}$ STD FLT
23..	539 110736....	1....	PIN, CLEVIS $\frac{5}{16}$	47..	539 106504....	2....	HEAVY WASHER
24..	539 990365....	2....	PIN, COTTER $\frac{1}{8}$ x $\frac{3}{4}$	48..	539 990517....	3....	WASHER $\frac{3}{8}$ STD FLT

# SEAT

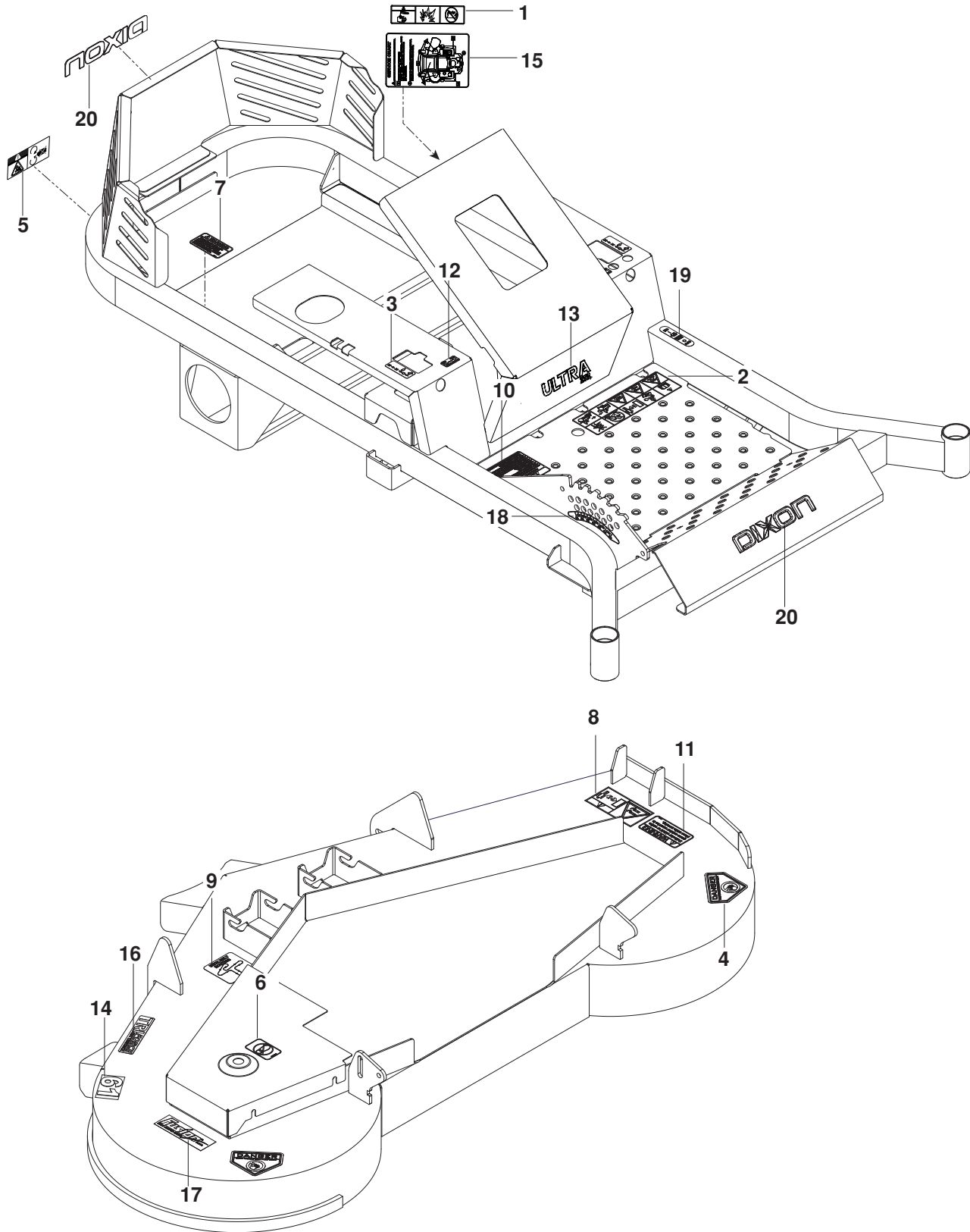


# SEAT

---

ITEM	PART NO.	QTY.	DESCRIPTION	ITEM	PART NO.	QTY.	DESCRIPTION
1..	576 867401....	1....	SEAT	15..	539 109100....	2....	RHSNB $\frac{5}{16}$ -18 x $\frac{3}{4}$
2..	539 132846....	1....	MOUNT, SEAT w/ DECAL	16..	539 990074....	1....	RHSNB $\frac{1}{4}$ -20 x $\frac{3}{4}$
3..	575 017402....	2....	MOUNT, SEAT BELT	17..	525 544001....	4....	HHFS $\frac{5}{16}$ -18 x $1\frac{1}{4}$ TPBLT
4..	539 119741....	1....	SWITCH, SEAT	18..	539 131780....	2....	HHFS $\frac{5}{16}$ -18 x $3\frac{3}{4}$ $\frac{5}{16}$ -18 x $3\frac{3}{4}$
5..	539 131656....	1....	SUPPORT, SEAT	19..	539 130896....	2....	BOLT $\frac{5}{16}$ -18 HEX HD
6..	575 224002....	1....	SUPPORT, RT	20..	539 113226....	2....	BOLT $\frac{5}{16}$ -18 x 1 HX THD FRM
7..	575 224102....	1....	SUPPORT, LT	21..	539 990717....	2....	NUT $\frac{5}{16}$ -18 HEX NYLOC
8..	539 110300....	2....	SPRING, SEAT	22..	539 976979....	2....	NUT $\frac{3}{8}$ -16 HEX NYLOC
9..	539 103247....	1....	LANYARD, SEAT	23..	521 996501....	1....	NUT $\frac{3}{8}$ -16 FLG HEX NYLOC
10..	539 130793....	1....	SEAT STOP	24..	539 112899....	6....	NUT $\frac{5}{16}$ -18 HEX FLG NYLOC
11..	539 105974....	1....	GROMMET RUBBER	25..	539 976978....	1....	NUT $\frac{1}{4}$ -20 HEX NYLOC
12..	505 280001....	2....	TIE WRAP w/ CLIP	26..	539 990517....	4....	WASHER $\frac{3}{8}$ FLT STD
13..	539 104763....	8....	RETAINER, U TYPE	27..	539 990598....	1....	WASHER $\frac{1}{4}$ FLT
14..	539 990645....	3....	RHSNB $\frac{3}{8}$ -16 x 1				

# DECALS



# DECALS

---

ITEM	PART NO.	QTY.	DESCRIPTION	ITEM	PART NO.	QTY.	DESCRIPTION
1..	539 105745....	1....	DECAL, BATTERY WARNING	12..	576 953601....	2....	DECAL, TRACKING
2..	539 107959....	1....	DECAL, WARNINGS	13..	521 992001....	1....	DECAL, ULTRA
3..	576 953501....	2....	DECAL, MOTION CONTROL	14..	539 101751....	1....	DECAL, 61"
4..	539 913010....	2....	DECAL, BLADE WARN		539 130246....	1....	DECAL, 52"
5..	539 105744....	1....	DECAL, BELT DRIVE	15..	539 132187....	1....	DECAL, SERVICE
6..	539 105743....	2....	DECAL, NO STEP	16..	521 983901....	1....	DECAL, TRIFORCE
7..	539 101881....	1....	DECAL, PROP 65	17..	539 117707....	1....	DECAL, FUSION
8..	539 105746....	1....	DECAL, SEVERING	18..	539 132188....	1....	DECAL, HGT ADJUSTMENT
9..	539 112620....	1....	DECAL, BELT ROUTING	19..	576 953701....	1....	DECAL, PARK BRAKE
10..	539 113213....	1....	DECAL, WARNING	20..	576 960001....	1....	DECAL, DIXON
11..	539 113224....	1....	DECAL, DEFLECTOR WARN				





**DIXON<sup>®</sup>ZTR<sup>®</sup>**