

INSTALLATION INSTRUCTIONS

60" MULCH KIT - 966 444701

IMPORTANT: BEFORE PROCEEDING, PLACE ALL CONTROLS IN THE *DISENGAGED* OR *OFF* POSITION, REMOVE SPARK PLUG WIRES FROM THE SPARK PLUGS.

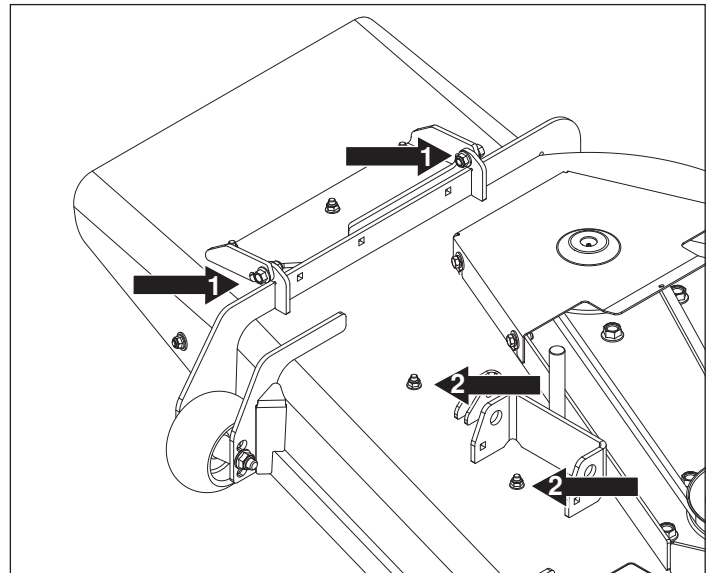


WARNING!

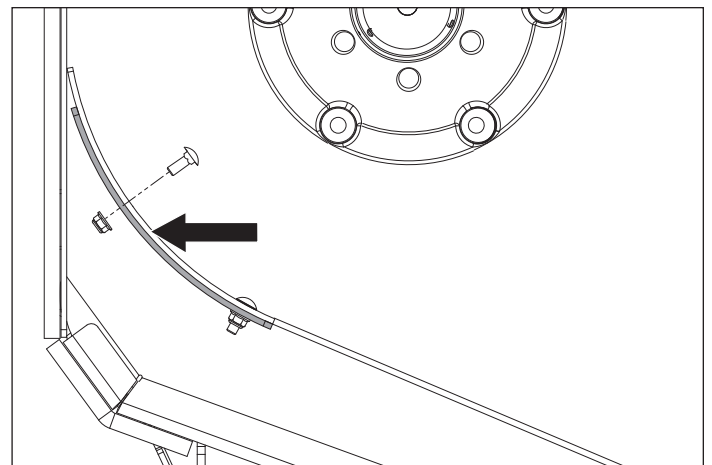


Blades are sharp. Protect your hands with gloves and/or wrap blades with a heavy cloth when handling.

1. Block the front of the mower up to give access to the underside of the front deck. Remove the discharge chute assembly by removing the hardware (1) on the bracket top. Set the assembly and hardware aside for reinstallation when the mulch kit is not being used.
2. Remove the three nuts and bolts that protect the mulch kit fastening locations (2).
- NOTE: Only two hardware sites are shown in the illustration.
3. Carefully remove the cutting blades, retaining the blade bolts for reuse. Clean any grass out from underneath the deck.

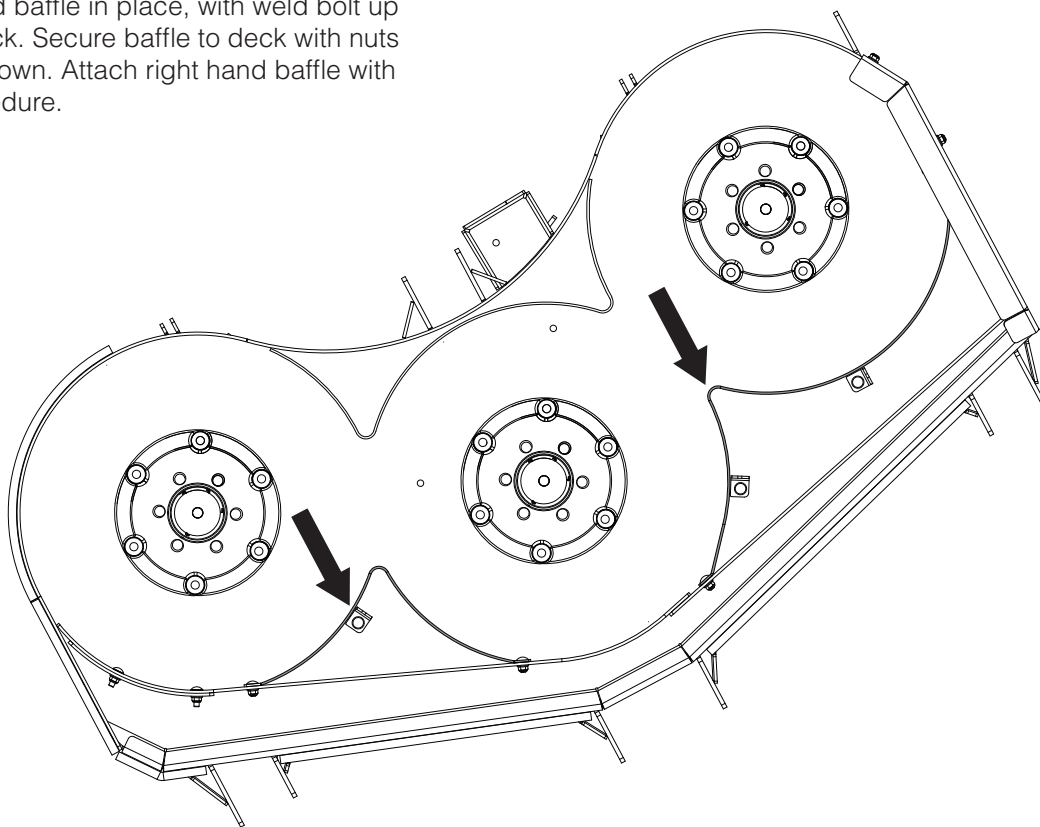


4. Bolt left hand corner mulch baffle to the **outside** of the deck baffle weldment as shown in the illustration.

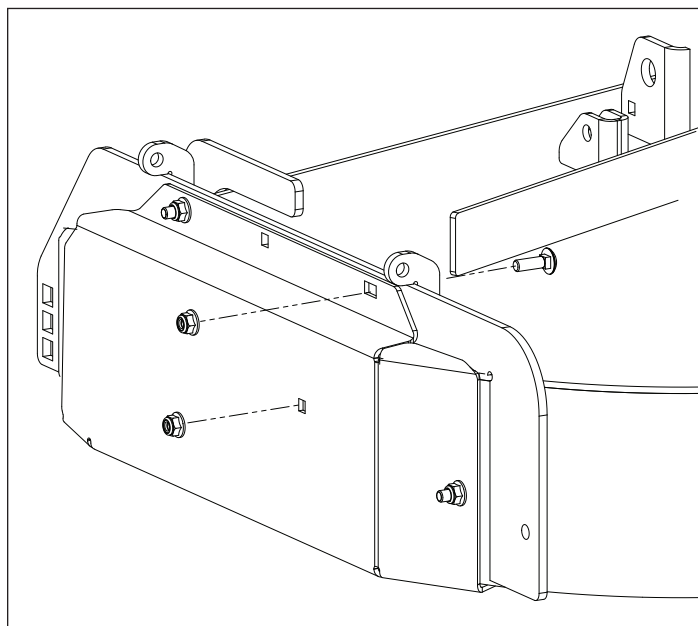


INSTALLATION INSTRUCTIONS

5. Set the left hand baffle in place, with weld bolt through the deck. Secure baffle to deck with nuts and bolts as shown. Attach right hand baffle with the same procedure.



6. Fasten the mulch cap to the deck and baffle.



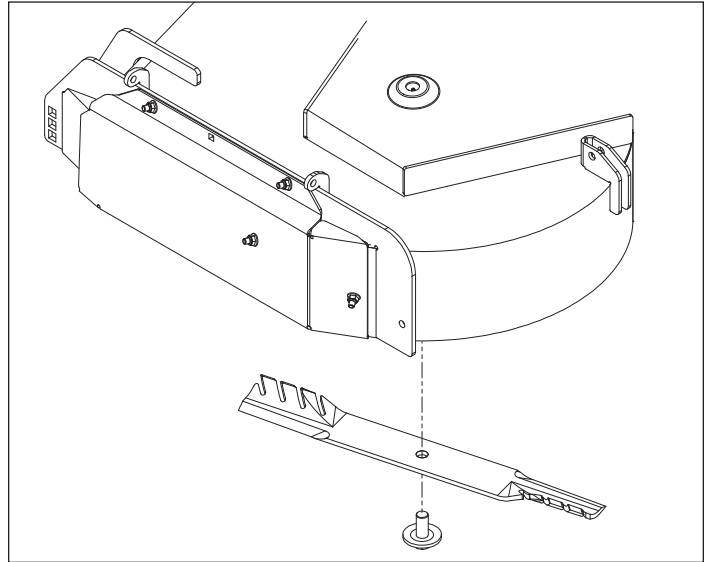
INSTALLATION INSTRUCTIONS

7. Install the kit mulching blades using the existing blade bolt (torque to 90 ft./lbs.).
8. Rotate the blades by hand and check for clearance of all baffles.
9. Make sure all hardware is tight.
10. Remove blocks and return the mower to its normal position.

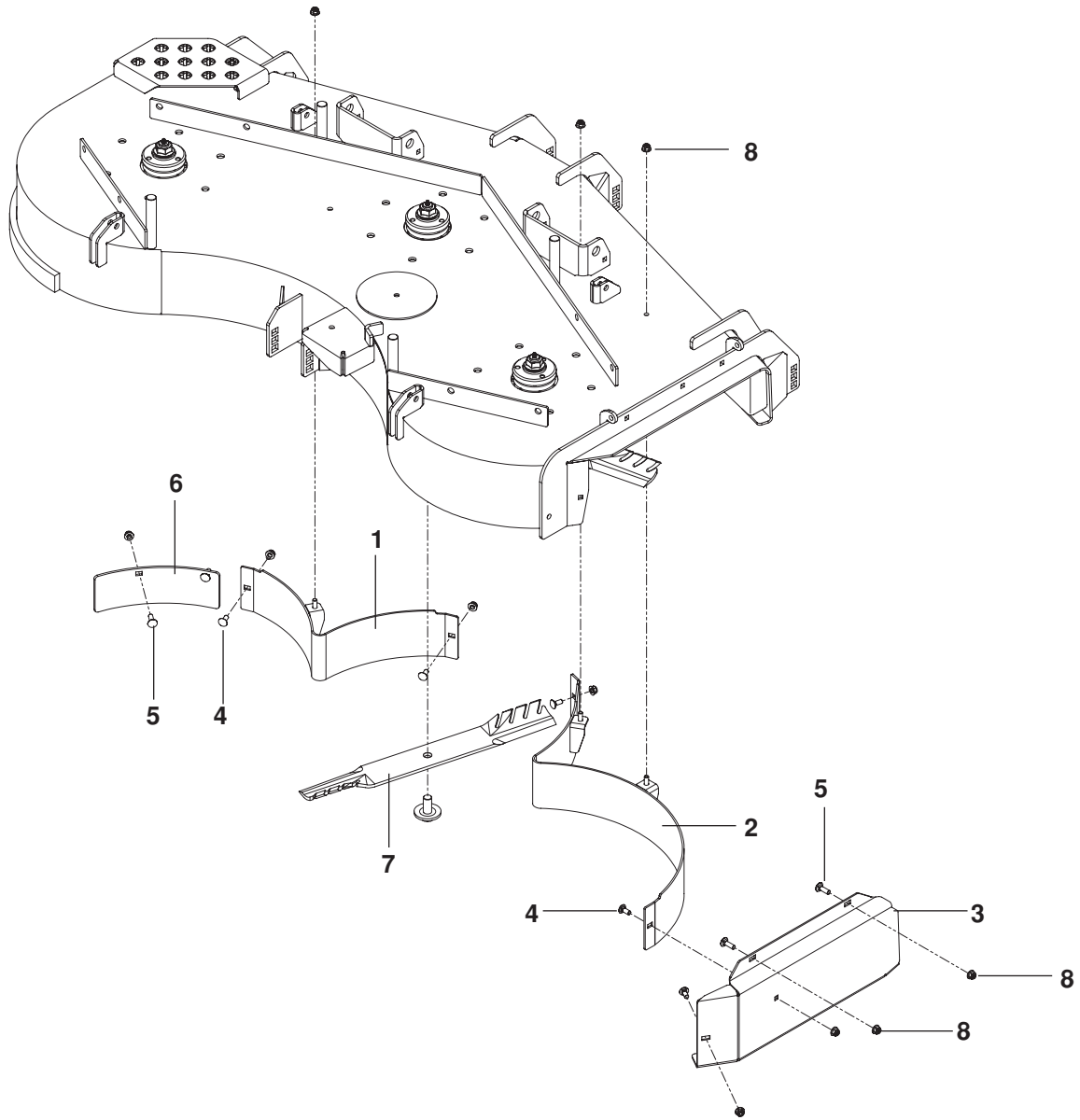
Mulching Guidelines

To ensure acceptable mulching performance:

- The length of grass to be cut in one pass should not exceed $\frac{1}{3}$ of the total grass height. Example: If grass height is 3", the mower deck cutting height should be set at not less than 2".
- Ground speed should normally be reduced to allow clippings to be finely mulched.
- Engine RPM should be set at maximum.
- Blades must be kept sharp.
- The underside of deck should be cleaned out often to prevent grass accumulation.
- Conditions must be dry. Wet grass does not mulch well and grass accumulates under deck.



PARTS LIST



ITEM	PART NO.	QTY.	DESCRIPTION
1..	574 298102....	1....	BAFFLE, MULCH LH
2..	574298202.....	1....	BAFFLE, MULCH RH
3..	516 004702....	1....	CAP, MULCH
4..	539 990316....	5....	RHSNB ⁵ / ₁₆ -18 x ³ / ₄ GR 5

ITEM	PART NO.	QTY.	DESCRIPTION
5..	539 990208....	4....	RHSNB ⁵ / ₁₆ -18 X 1 GR 5
6..	522 849802....	1....	BAFFLE, LH CORNER
7..	522 936601....	3....	BLADE, 21" GATOR
8..	539 112899..	12....	NUT ⁵ / ₁₆ -18 HEX FLNG NYLOC