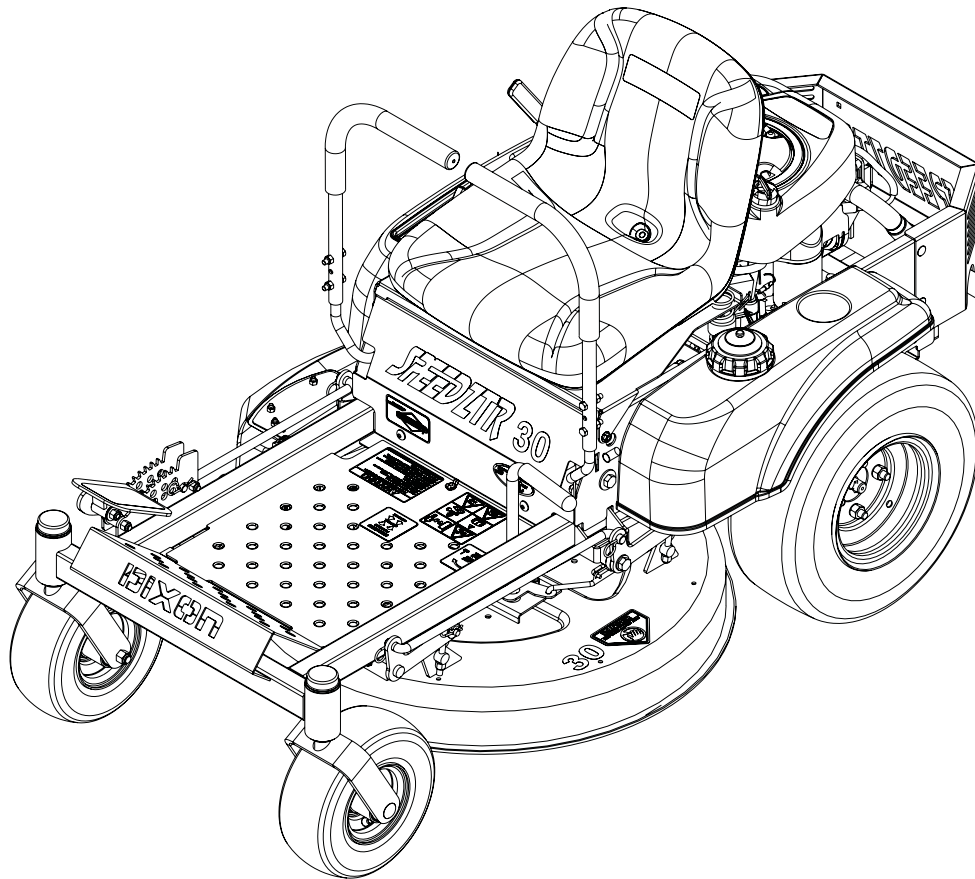


DIXON[®] ZTR[®]

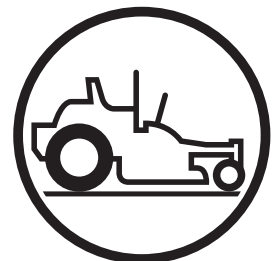


SPEEDZTR[™] 30 ZTR[®] Parts Manual

SPEEDZTR 30 / 968999702

SPEEDZTR 30 / 968999715

Please read the operator's manual carefully and make sure you understand the instructions before using the machine.



English

When you need spare parts or support in service questions, warranty issues, etc., please consult the following professional:

This Parts Manual belongs to the machine with the manufacturing number:	Engine	Transmission

Manufacturing Number

The machine's manufacturing number can be found on the printed plate affixed to the engine compartment. Stated on the plate, from the top are:

- The machine's type designation (I.D.).
- The manufacturer's type number (Model).
- The machine's serial number (Serial no.)

Please have the type designation and serial number available when ordering spare parts.

The engine's manufacturing number is stamped on one of the valve covers.

The plate states:

- The engine's model.
- The engine's type.
- Code

Please have these available when ordering spare parts.

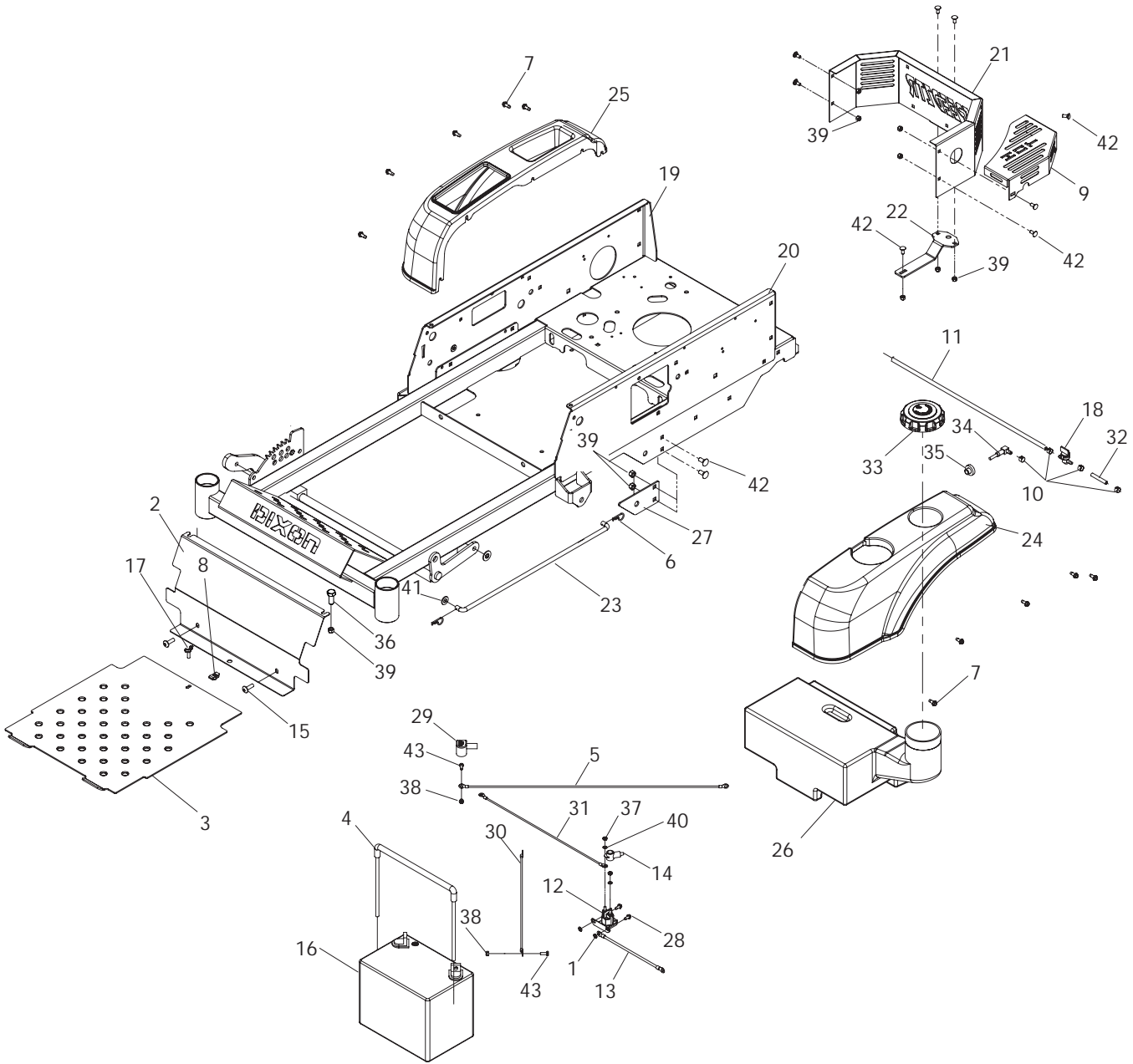
The wheel motors and hydrostatic pumps have a barcode decal affixed at the rear.

CONTENTS

CHASSIS / FRAME.....	4	MOWER LIFT / DECK LIFT	16
ENGINE PLATE	6	DECK.....	18
STEERING.....	8	SEAT	20
CONTROLS	10	CASTERS	22
PARK BRAKE	12	DECALS.....	24
HYDRAULIC PUMP - MOTOR	14		

NOTE: ALL FASTENERS ARE GRADE 5 UNLESS OTHERWISE SPECIFIED.

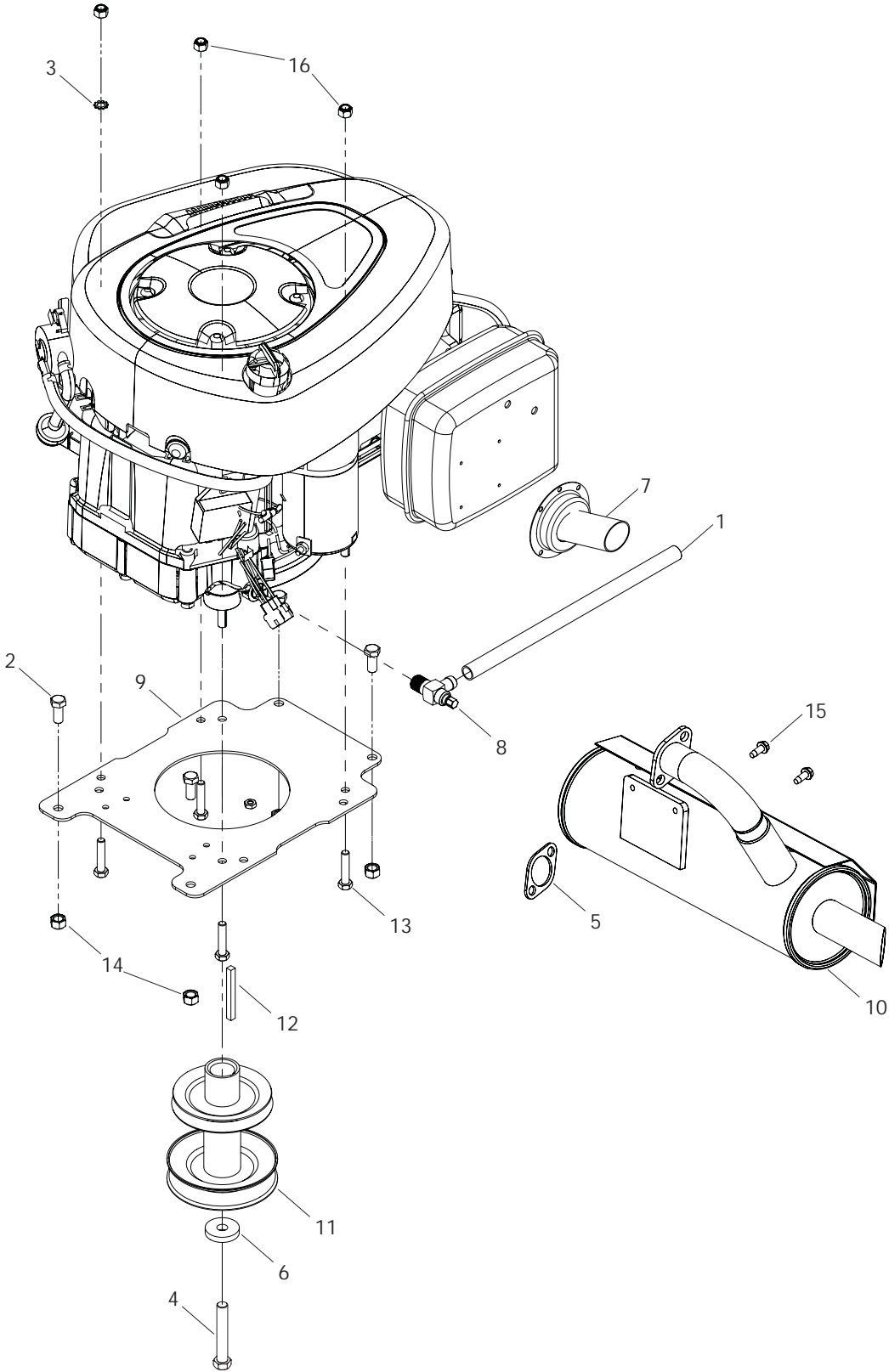
CHASSIS / FRAME



CHASSIS / FRAME

ITEM	PART NO.	QTY.	DESCRIPTION	ITEM	PART NO.	QTY.	DESCRIPTION
1..	539 109347....	2	LOCKWASHER, ¼ INT EXT	24..	539 120192....	1	FENDER LH
2..	539 114739....	1	FRONT PANEL W/DECALS	25..	539 120193....	1	FENDER RH
3..	539 114740....	1	FOOT PANEL W/DECALS	26..	539 120195....	1	FUEL TANK
4..	539 131209....	1	BATTERY HOLD DOWN	27..	539 120218....	2	DOUBLER PLATE
5..	539 115323....	1	BATTERY CABLE	28..	539 990362....	2	SCREW, ¼-20 x 5/8, TAP
6..	539 115501....	4	HAIR PIN COTTER	29..	539 121331....	1	TERMINAL COVER
7..	539 990362..	10	SCREW, ¼C X 5/8, SELF TAP	30..	539 121479....	1	NEGATIVE CABLE 20"
8..	539 110813....	1	U NUT ¼C	31..	539 103306....	1	POSITIVE CABLE 20"
9..	539 131602....	1	GUARD, MUFFLER	32..	539 121486....	1	HOSE, ¼ x 2"
10..	539 912222....	4	FUEL LINE CLAMP	33..	539 106188....	1	GAS CAP
11..	539 115743....	1	HOSE, ¼ x 21	34..	539 124804....	1	ELBOW W/FILTER
12..	539 115774....	1	SOLENOID	35..	539 126217....	1	TANK FITTING
13..	539 115799....	1	BATTERY GROUND CABLE	36..	539 976934....	2	HCS, 5/16 -18 x ¾
14..	539 116400....	1	TERMINAL COVER-SM	37..	539 991112....	3	NUT, ¼ -20, JAM
15..	539 117399....	2	BHSS, 5/16 -18 x 1	38..	539 976978....	2	NUT, ¼ -20, NYLOC
16..	539 102436....	1	12V BATTERY	39..	539 990717..	12	NUT, 5/16 -18, NYLOC
17..	539 118691....	1	BOLT, ¼-20 x ¾, WING	40..	539 990053....	2	LOCKWASHER, ¼, INT
18..	539 916325....	1	VALVE, FUEL	41..	539 990250....	2	WASHER, ½, NARROW
19..	539 131312....	1	SIDE PLATE, RH	42..	539 990316..	10	RHSNB, 5/16 -18 x ¾
20..	539 131311....	1	SIDE PLATE, LH	43..	539 990580....	2	HHB, ¼-20 x ¾
21..	539 131603....	1	REAR GUARD	NOT SHOWN			
22..	539 120176....	1	BRACE		539 120189		WIRE HARNESS MAIN
23..	539 120180....	2	ROD, TRAILING ARM		539 121074		GROUND ADAPTOR

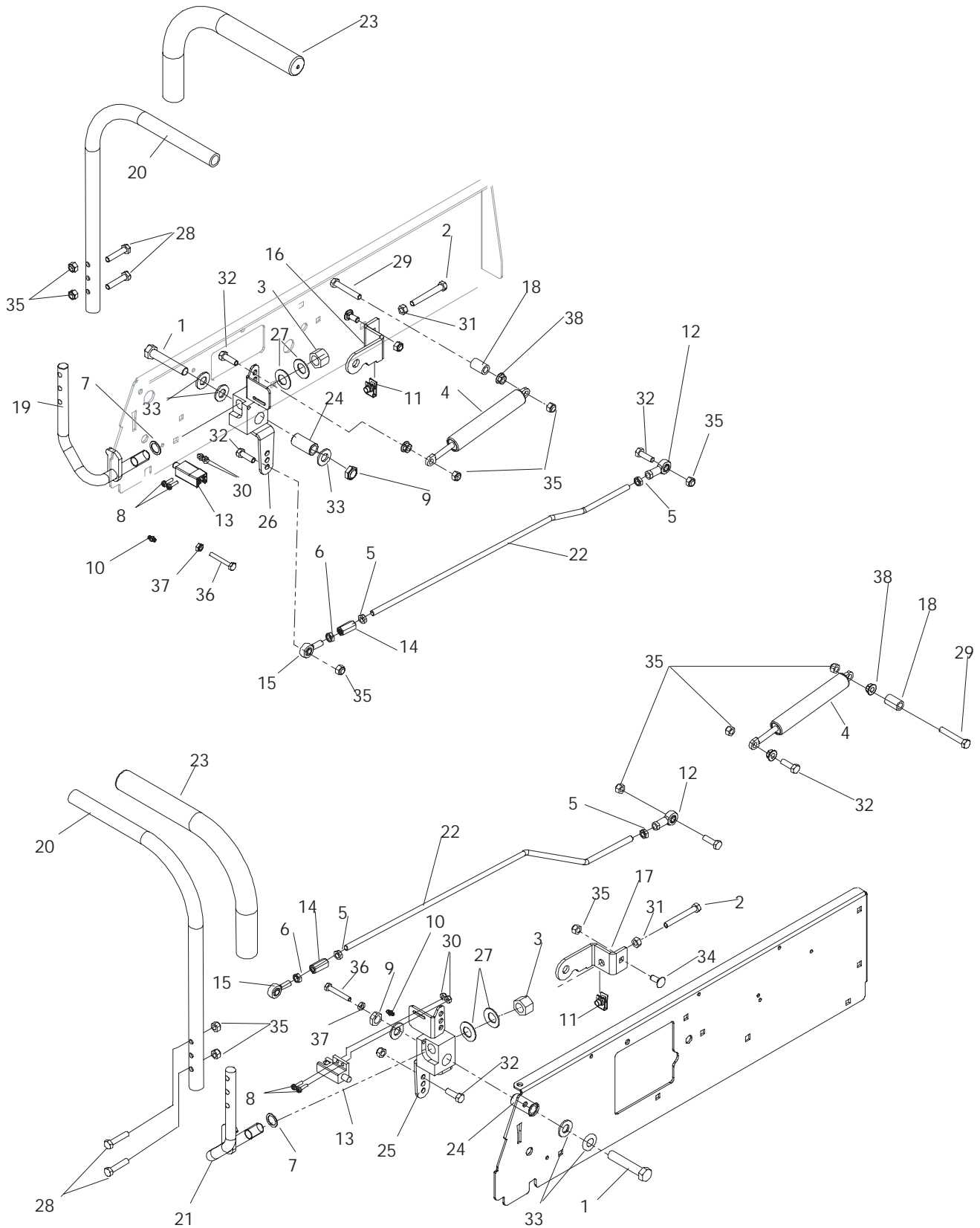
ENGINE PLATE



ENGINE PLATE

ITEM	PART NO.	QTY.	DESCRIPTION	ITEM	PART NO.	QTY.	DESCRIPTION
1..	539 107937....	1	OIL DRAIN HOSE, HL	9..	539 120183....	1	ENGINE PLATE
2..	539 108507....	4	HHB, $\frac{3}{8}$ -16 x $\frac{7}{8}$	10..	539 120184....	1	MUFFLER, 13 HP
3..	539 109556....	2	LOCKWASHER, $\frac{5}{16}$ INT EXT	11..	539 120238....	1	PULLEY, ENGINE
4..	539 110065....	1	HHB, $\frac{7}{16}$ -20 x $2\frac{3}{4}$	12..	539 917033....	1	KEY, $\frac{1}{4}$ SQ x $2\frac{1}{2}$
5..	539 114451....	1	SPACER, EXHAUST	13..	539 976935....	4	HHB, $\frac{5}{16}$ -18 x $1\frac{1}{2}$
6..	539 115546....	1	WASHER, .43 x 1.38 x .25	14..	539 976979....	3	NUT, $\frac{3}{8}$ -16, NYLOC
7..	539 131601....	1	MUFFLER, EXTENSION	15..	539 990362....	2	SCREW, $\frac{1}{4}$ -20 x $\frac{5}{8}$, TAP
8..	539 118893....	1	OIL DRAIN	16..	539 990717....	4	NUT, $\frac{5}{16}$ -18, NYLOC

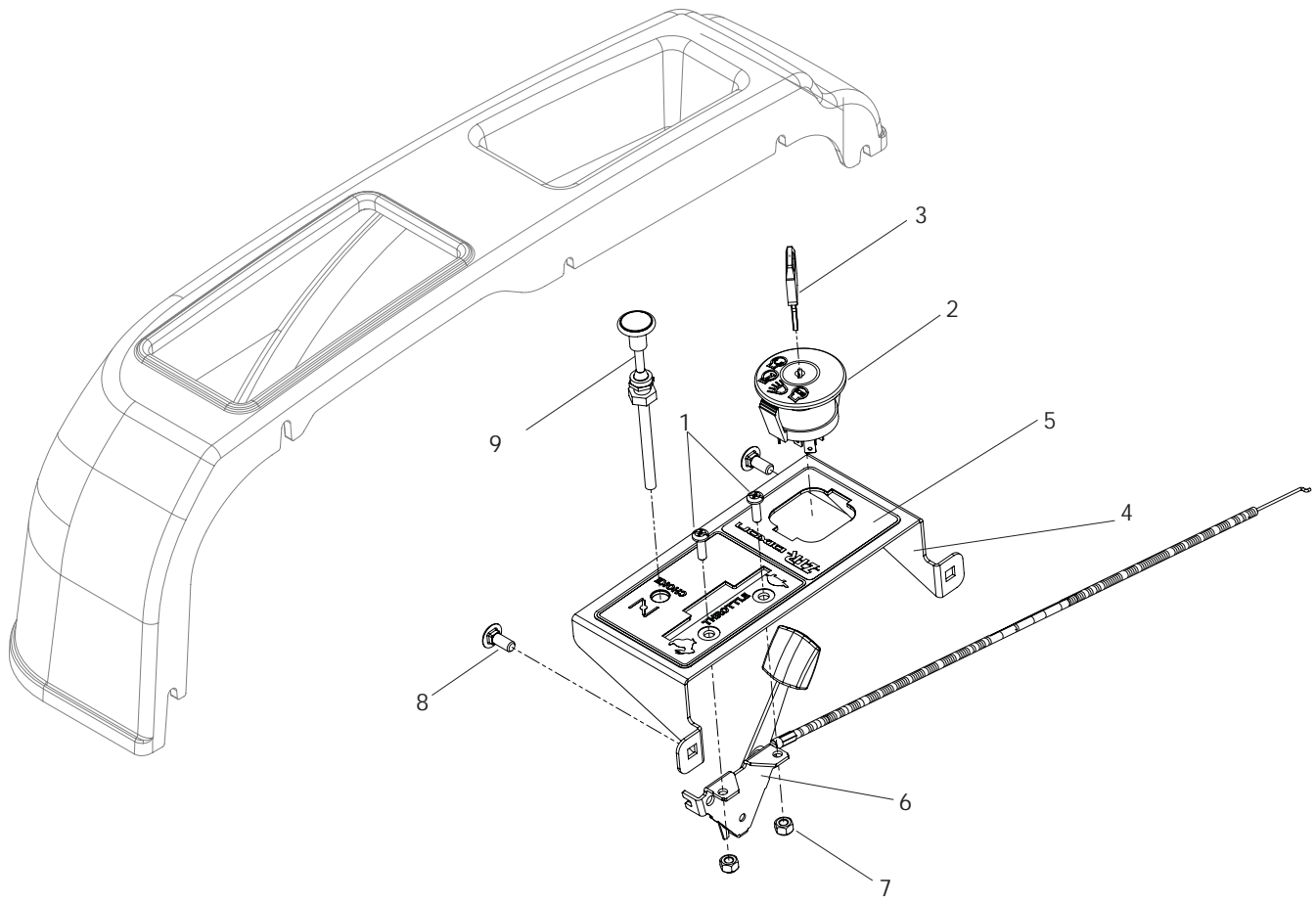
STEERING



STEERING

ITEM	PART NO.	QTY.	DESCRIPTION	ITEM	PART NO.	QTY.	DESCRIPTION
1..	539 101332....	2 HHB, 1/2 -13 x 2 3/4	20..	539 120160....	2 LEVER, UPPER
2..	539 108396....	2 HHB, 5/16 -18 x 2 1/2	21..	539 120162....	1 LEVER, LH
3..	539 110340....	2 NUT, 5/8-11, NYLOC	22..	539 120169....	2 CONTROL ROD
4..	539 114453....	2 DAMPER, DUAL ACTION	23..	539 120899....	2 GRIP
5..	539 115502....	4 NUT, 5/16 -24, JAM	24..	539 120956....	2 BUSHING
6..	539 991073....	2 NUT, 5/16 -24, JAM LH	25..	539 120983....	1 PLATED PIVOT, LH
7..	539 115570....	2 WASHER, .626ID x .056	26..	539 120984....	1 PLATED PIVOT, RH
8..	539 976952....	4 SCREW, #10-24 x 5/8, PAN	27..	539 911121	4 WASHER, 5/8
9..	539 108010....	2 NUT, 1/2-13, NYLOC	28..	539 976935....	4 HHB, 5/16 -18 x 1 1/2
10..	539 115638....	2 GREASE ZERK	29..	539 976937....	2 HHB, 5/16 -18 x 2
11..	539 104763....	2 "U" TYPE RETAINER	30..	539 976977....	4 NUT, 10-24, NYLOC
12..	539 115729....	2 ROD END, RH	31..	539 990196....	2 NUT, 5/16 -18
13..	539 101080....	2 DECK SWITCH	32..	539 990209....	6 HHB, 5/16 -18 x 1
14..	539 116689....	2 ROD END, COUPLER	33..	539 990250....	6 WASHER, 1/2, NARROW
15..	539 116690....	2 ROD END, LH	34..	539 990316....	2 RHSNB, 5/16 -18 x 3/4
16..	539 117949....	1 SUPPORT, RH	35..	539 990717..	13 NUT, 5/16 -18, NYLOC
17..	539 117950....	1 SUPPORT, LH	36..	539 991003....	2 HHB, 1/4 -20 x 1 3/4
18..	539 119087....	2 BUSHING	37..	539 991112	2 NUT, 1/4 -20, JAM
19..	539 120159....	1 LEVER, RH	38..	539 115674....	2 NUT, 5/16 -18, FLANGE

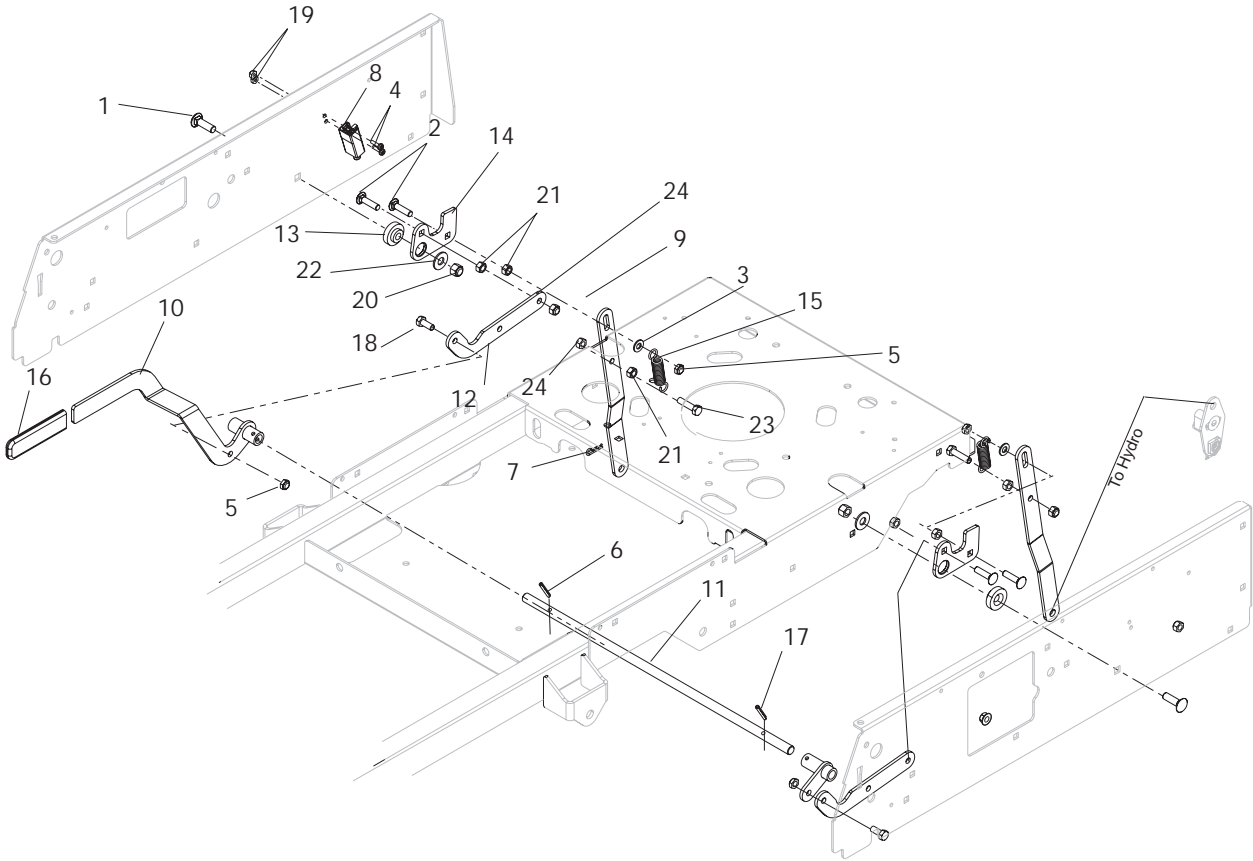
CONTROLS



CONTROLS

ITEM	PART NO.	QTY.	DESCRIPTION	ITEM	PART NO.	QTY.	DESCRIPTION
1..	539 976952....	2	SCREW, #10-24 x ⁵ / ₈ ,PAN HD	6..	539 120222....	1	THROTTLE CABLE
2..	539 107541....	1	IGNITION SWITCH	7..	539 976977....	2	NUT #10-24 HEX NYLOC
3..	539 107544....	1	KEY, MOLDED	8..	539 111786	2	RHSSNB ¹ / ₄ -20 x ⁵ / ₈
4..	539 132272....	1	CONTROL PANEL MOUNT	9..	539 122736....	1	CHOKE CONTROL
5..	539 132273....	1	DECAL, CONTROL PANEL				

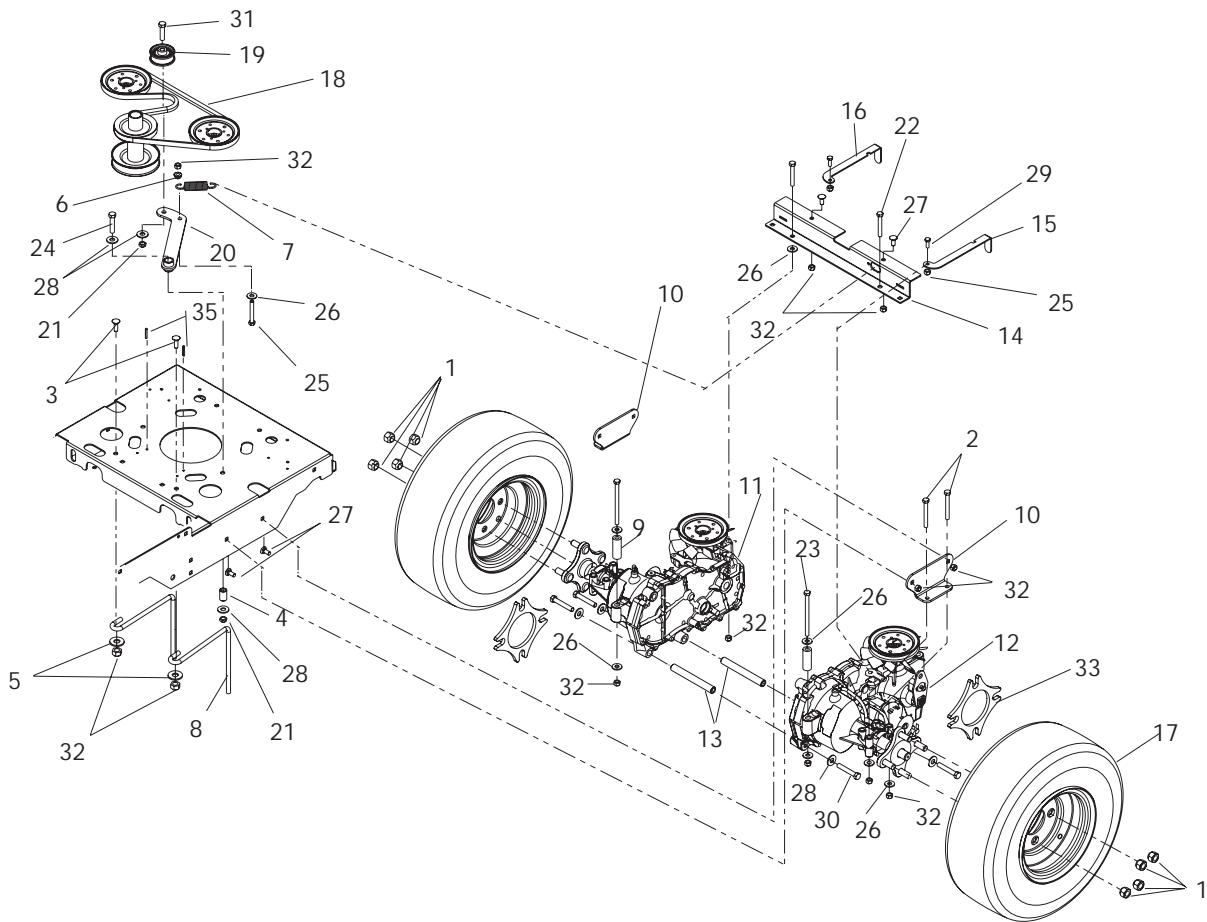
PARK BRAKE



PARK BRAKE

ITEM	PART NO.	QTY.	DESCRIPTION	ITEM	PART NO.	QTY.	DESCRIPTION
1..	539 100413....	2 RHSNB, $\frac{3}{8}$ -16 x $1\frac{1}{4}$	13..	539 120220....	2 PIVOT, BRAKE ARM
2..	539 100472....	4 RHSNG, $\frac{5}{16}$ -18 x $1\frac{1}{4}$	14..	539 120221....	2 PIVOT, BRAKE
3..	539 990188....	3 WASHER, $\frac{5}{16}$, SAE	15..	539 120247....	2 SPRING, EXTENSION
4..	539 976952....	4 SCREW, #10-24 x $\frac{5}{8}$, PAN	16..	539 120921....	1 GRIP, BRAKE HANDLE
5..	539 115617....	4 NUT, $\frac{5}{16}$ -18, NYLOC	17..	539 121335....	1 BRAKE ARM
6..	539 101082....	2 ROLL PIN, $\frac{3}{16}$ "	18..	539 976934....	2 HHB, $\frac{5}{16}$ -18x $\frac{3}{4}$
7..	539 115680....	2 HAIR PIN COTTER	19..	539 976977....	4 NUT, 10-24, NYLOC
8..	539 101080....	2 DECK SWITCH	20..	539 976979....	2 NUT, $\frac{3}{8}$ -16, NYLOC
9..	539 120163....	2 LINK, LOWER BRAKE	21..	539 990196....	8 NUT, $\frac{5}{16}$ -18
10..	539 120166....	1 HANDLE, BRAKE	22..	539 990517....	2 WASHER, $\frac{3}{8}$
11..	539 120167....	1 ROD, BRAKE	23..	539 990627....	2 HHB, $\frac{5}{16}$ -18 x $1\frac{1}{4}$
12..	539 120168....	2 LINK, UPPER BRAKE	24..	539 990717....	2 NUT, $\frac{5}{16}$ -18, NYLOC

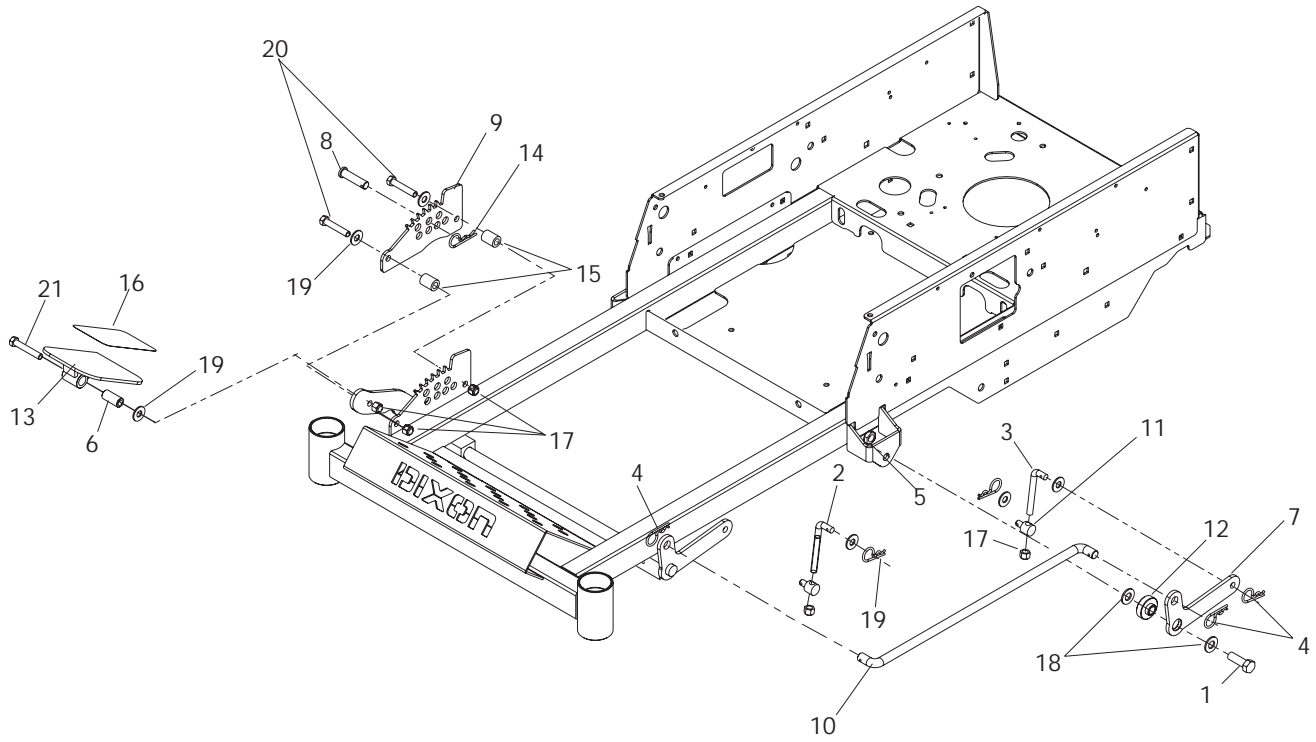
HYDRAULIC PUMP - MOTOR



HYDRAULIC PUMP - MOTOR

ITEM	PART NO.	QTY.	DESCRIPTION	ITEM	PART NO.	QTY.	DESCRIPTION
1..	539 101173....8	NUT, ½-20, LUG	18..	539 120806....1	BELT 30
2..	539 101721....4	HHB, 5/16 -18 x 2¾	19..	539 120812....1	IDLER PULLEY
3..	539 107271....2	RHSNB, 5/16 -18 x 1	20..	539 120990....1	IDLER WLDT
4..	539 115270....1	METAL BUSHING	21..	539 200282....1	NUT, 3/8 -16, NYLOC
5..	539 990692....2	WASHER, 5/16	22..	539 976938....1	HHB, 5/16 -18 x 2¼
6..	539 115674....1	NUT, 5/16 -18	23..	539 976940....2	HHB, 5/16 -18 x 4½
7..	539 116350....1	SPRING	24..	539 976949....1	HHB, 3/8 -16 x 1¾
8..	539 119975....2	BELT GUIDE	25..	539 976978....2	NUT, ¼-20, NYLOC
9..	539 120150....2	SPACER HYDRO MNT	26..	539 990188..11	WASHER, 5/16
10..	539 120151....2	MOUNT, HYDRO	27..	539 990316..10	RHSNB, 5/16 -18 x ¾
11..	539 120152....1	HYDRO, RH	28..	539 990517....7	WASHER, 3/8
12..	539 120153....1	HYDRO, LH	29..	539 990580....2	HHB, ¼-20 x ¾
13..	539 120154....2	HYDRO SPACER	30..	539 990629....4	HHB, 3/8 -16 x 2¼
14..	539 120155....1	REAR HYDRO MOUNT	31..	539 990655....1	HHB, 3/8 -16 x 1½
15..	539 120156....1	RELEASE HANDLE, LH	32..	539 990717....8	NUT, 5/16 -18, NYLOC
16..	539 120157....1	RELEASE HANDLE, RH	33..	539 114804....2	SPACER, WHEEL
17..	539 120187....2	REAR WHEEL & TIRE				

MOWER LIFT / DECK LIFT

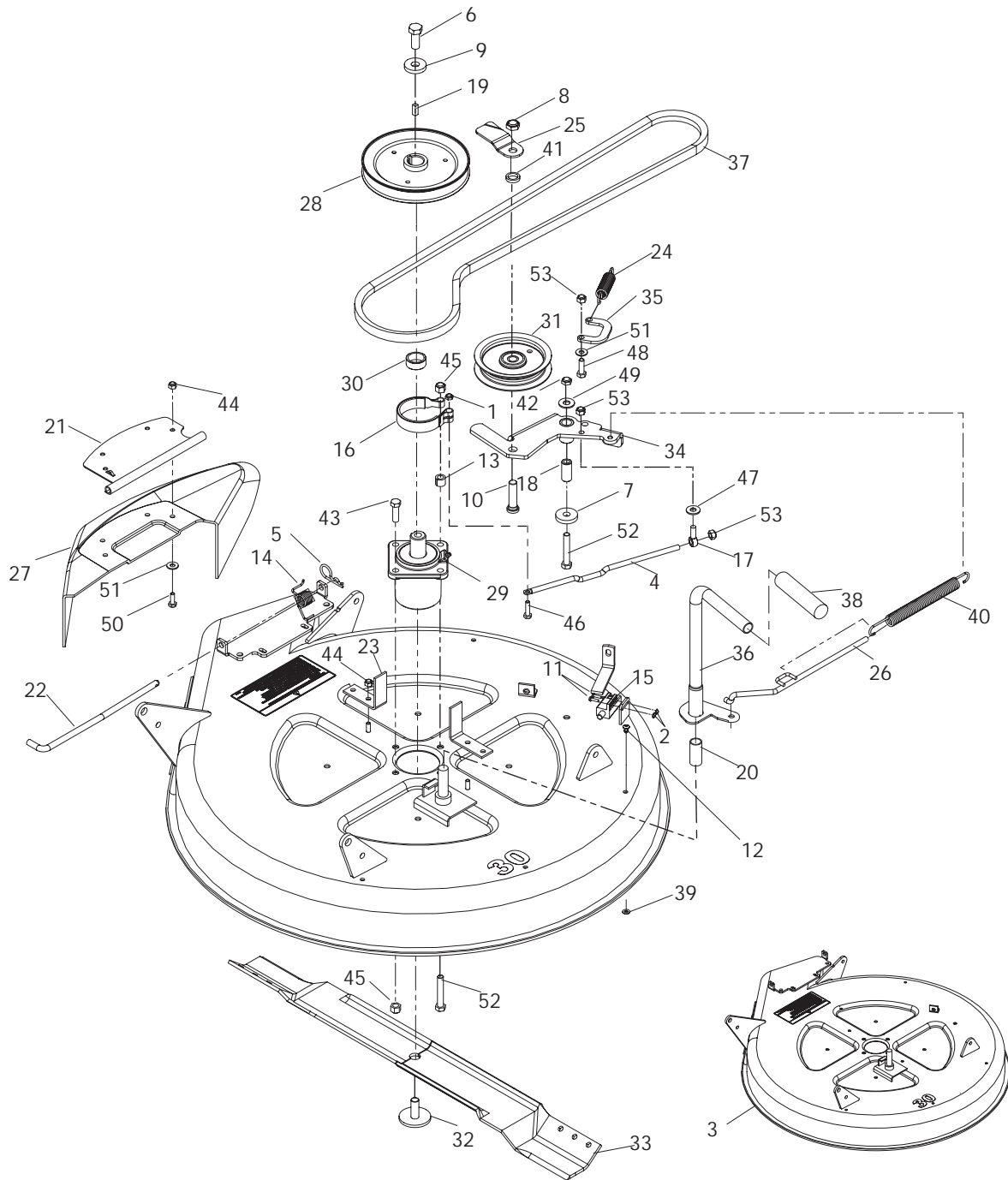


MOWER LIFT / DECK LIFT

ITEM	PART NO.	QTY.	DESCRIPTION
1..	539 108374....2	HHB, ½-13 x 1½
2..	539 115249....2	L-ROD
3..	539 115658....2	L-ROD 3½
4..	539 115501....7	HAIR PIN
5..	539 108010....2	NUT, ½-13, NYLOC
6..	539 115972....1	BUSHING
7..	539 118135....2	LIFT LINK, REAR
8..	539 122628....1	CLEVIS PIN
9..	539 123479....1	LIFT QUADRANT
10..	539 118147....2	LINK, DECK LIFT
11..	539 118179....2	SWIVEL

ITEM	PART NO.	QTY.	DESCRIPTION
12..	539 118937....2	SPACER, IDLER
13..	539 121122....1	FOOT PEDAL PLATED
14..	539 121221....1	HAIR PIN, STAINLESS
15..	539 121318....2	SPACER
16..	539 121322....1	FOOT PAD
17..	539 976979....7	NUT, ¾ -16, NYLOC
18..	539 990250....5	WASHER, ½, NARROW
19..	539 990517....4	WASHER, ¾
20..	539 990588....2	HHB, ¾ -16 x 2
21..	539 990629....1	HHB, ¾ -16 x 2¼

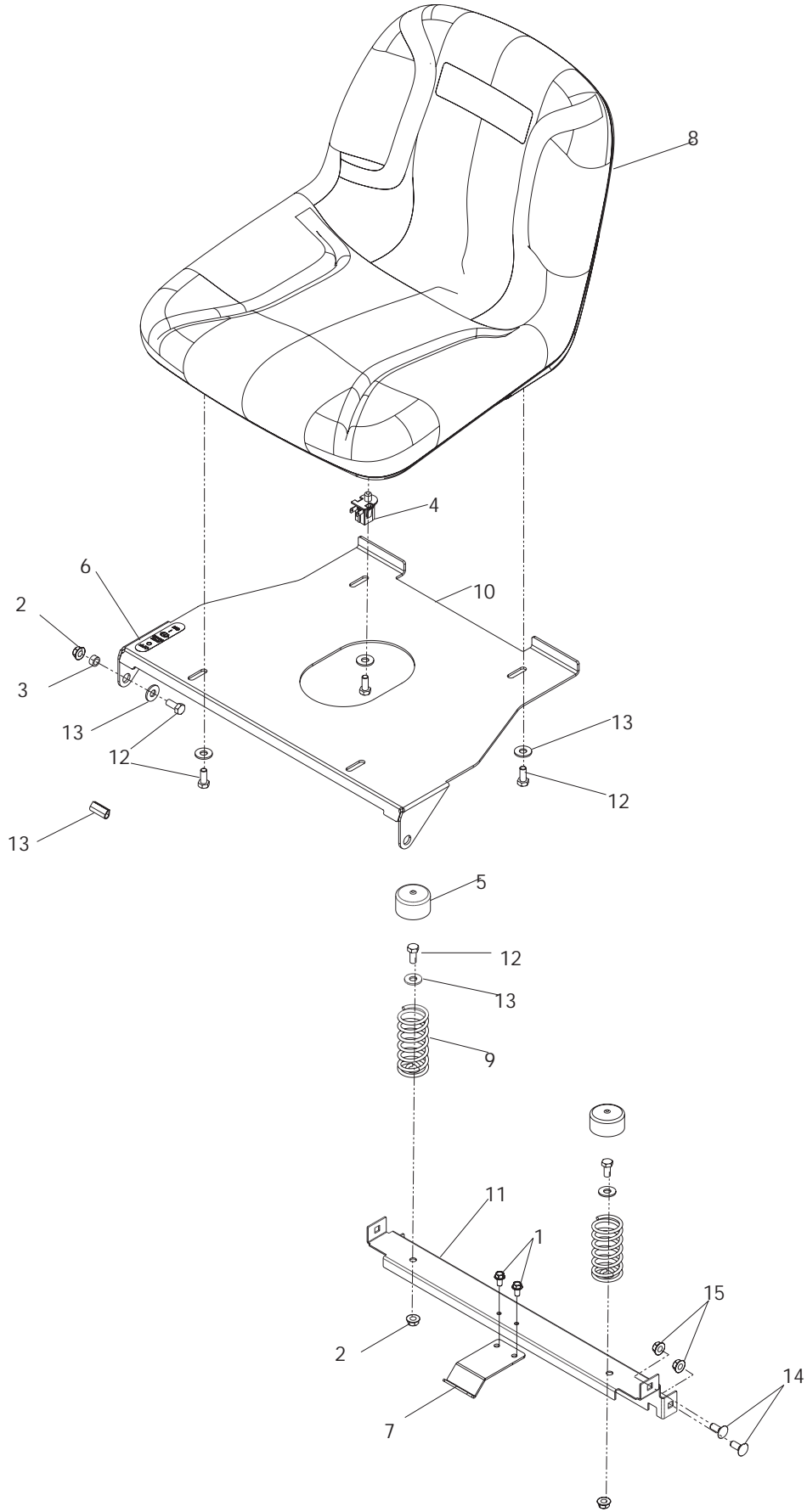
DECK



DECK

ITEM	PART NO.	QTY.	DESCRIPTION	ITEM	PART NO.	QTY.	DESCRIPTION
1..	539 108120....	1	NUT, ¼ -20, NYLOC	29..	539 117979....	1	30" HUB ASSEMBLY
2..	539 108733....	2	NUT, #6-32, NYLOC	30..	539 119489....	1	HUB BEARING SPACER
3..	539 114743....	1	DECK W/DECALS	31..	539 119555....	1	IDLER PULLEY
4..	539 115463....	1	BRAKE ROD	32..	539 119637....	1	BLADE BOLT
5..	539 115501....	1	HAIR PIN, COTTER	33..	539 119845....	1	BLADE, 30" HI LIFT
6..	539 115511....	1	HHB, ½ -20 x 1¼ GR 5	34..	539 120146....	1	IDLER PIVOT WLDT
7..	539 115546....	1	WASHER, .43 x 1.38 x .25	35..	539 120147....	1	SPRING CAM
8..	539 115609....	1	NUT, ½ -13, NYLOC	36..	539 120149....	1	ENGAGE HANDLE WLDT
9..	539 115636....	1	WASHER, .525 x 1.375 x .25	37..	539 120185....	1	DECK DRIVE BELT
10..	539 115647....	1	STUD, ½ -13 x 2	38..	539 120194....	1	GRIP
11..	539 115656....	2	SCREW, #6-32 x ½, HWH	39..	539 110033....	3	WASHER, #10
12..	539 200684....	3	RIVET, ³/₁₆	40..	539 126052....	1	ENGAGING SPRING
13..	539 115954....	1	SPACER, ³/₈ x ½	41..	539 126726....	1	PULLEY SPACER
14..	539 130509F.	1	DEFLECTOR SPRING	42..	539 200282....	1	NUT, ³/₈ -16, NYLOC
15..	539 101080....	1	DECK SWITCH	43..	539 976941....	3	HHB, ³/₈ -16 x 1¼
16..	539 115953....	1	BRAKE BAND	44..	539 976978....	6	NUT, ¼ -20, NYLOC
17..	539 115956....	1	EYE BOLT	45..	539 976979....	4	NUT, ³/₈ -16, NYLOC
18..	539 115972....	1	BUSHING	46..	539 977761....	1	HHB, ¼ -20 x 1
19..	539 116196....	1	OUTER SHAFT KEY	47..	539 990188....	1	WASHER, ⁵/₁₆
20..	539 116203....	1	BUSH, ⁵/₈ x ¾ x 1.6	48..	539 990209....	1	HHB, ⁵/₁₆ -18 x 1
21..	539 116222....	1	DEFLECTOR MT BRACKET	49..	539 990517....	1	WASHER, ³/₈
22..	539 116225....	1	DEFLECTOR PIN	50..	539 990580....	4	HHB, ¼ -20 x ¾
23..	539 116349....	2	BELT RETAINER	51..	539 990598....	5	WASHER, ¼
24..	539 116350....	1	SPRING	52..	539 990629....	2	HHB, ³/₈ -16 x 2¼
25..	539 116351....	1	BELT GUARD	53..	539 990717....	3	NUT, ⁵/₁₆ -18, NYLOC
26..	539 116687....	1	ENGAGING ROD				
27..	539 116746....	1	DEFLECTOR, 30"				
28..	539 117978....	1	V-PULLEY				

SEAT

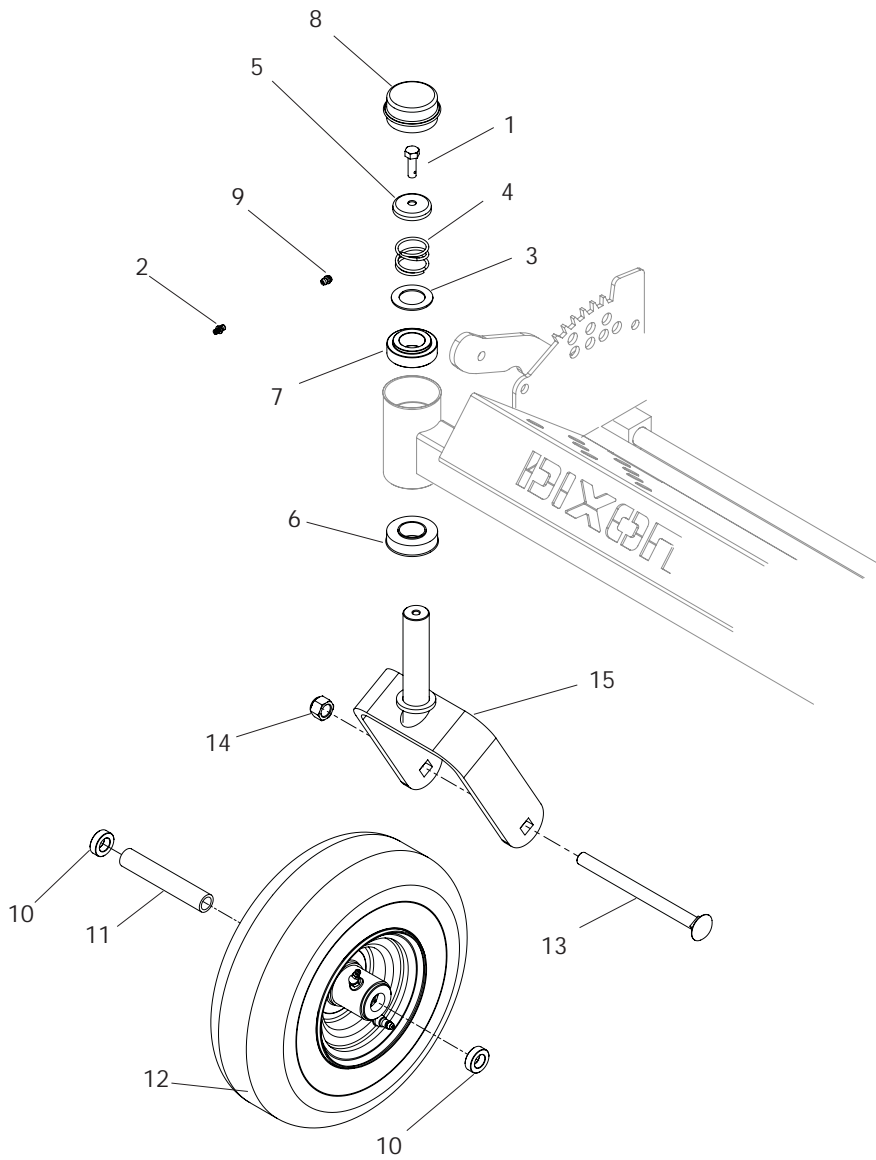


SEAT

ITEM	PART NO.	QTY.	DESCRIPTION
1..	539 990362....2	SCREW, ¼C x 5/8
2..	539 115674....2	NUT, 5/16 -18
3..	539 116091....2	SPACER
4..	539 119741....1	SWITCH, SEAT
5..	539 119884....2	SPRING CAP
6..	539 120006....1	DECAL, PARK BRAKE
7..	539 120181....1	HOLD DOWN
8..	539 120529....1	SEAT

ITEM	PART NO.	QTY.	DESCRIPTION
9..	539 122632....2	SPRING, SEAT
10..	539 123519....1	SEAT PLATE
11..	539 123526....1	CROSS MEMBER
12..	539 976934..10	HBB, 5/16 -18 x ¾
13..	539 990188....6	WASHER, 5/16
14..	539 990316....4	RHSNB, 5/16 -18 x ¾
15..	539 990717....8	NUT, 5/16 -18, NYLOC
16..	539 118102....2	GUARD, EDGE

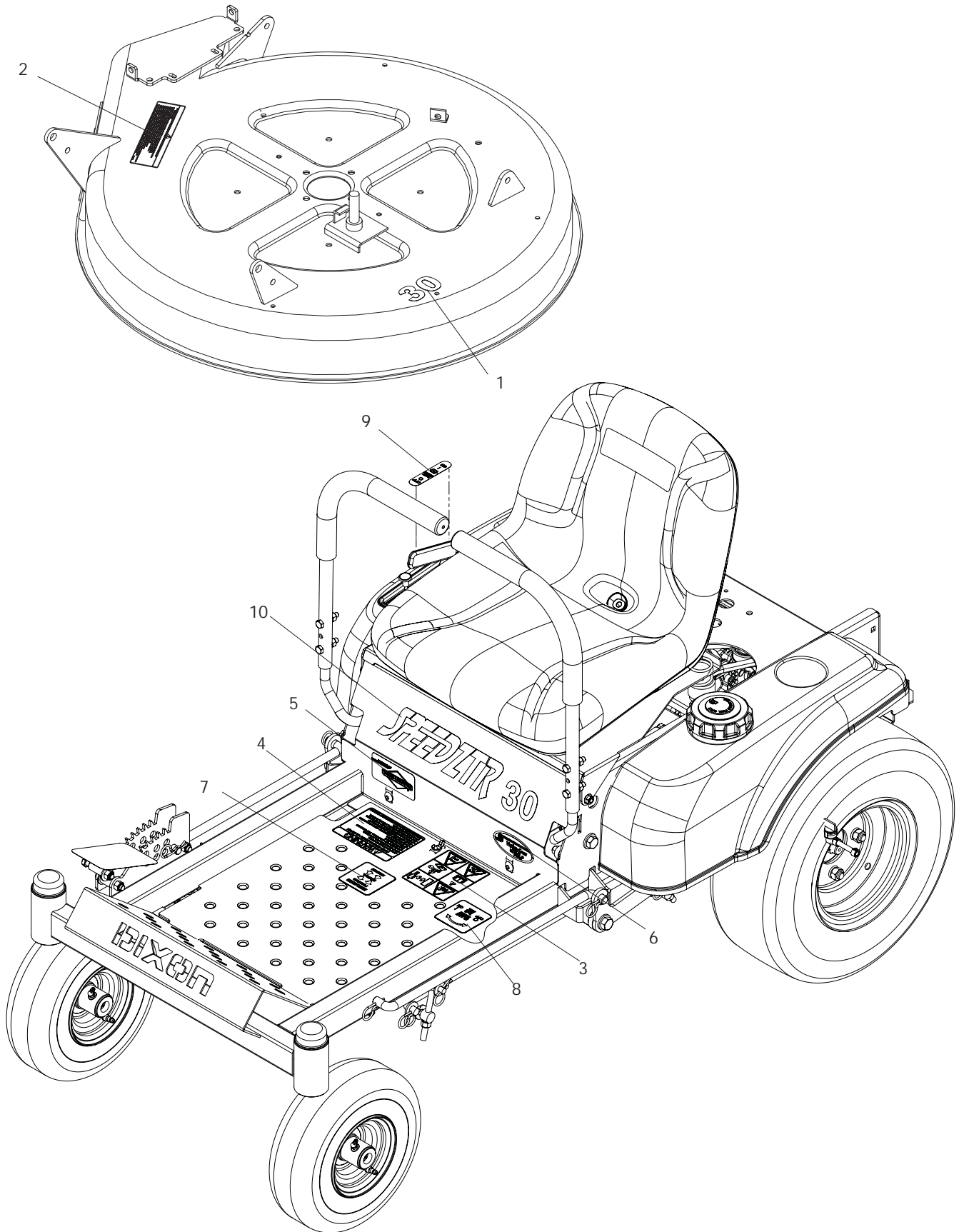
CASTERS



CASTERS

ITEM	PART NO.	QTY.	DESCRIPTION	ITEM	PART NO.	QTY.	DESCRIPTION
1..	539 115566.....	2 HHB, ⁵ / ₁₆ -18 x 1, NYLOC	9..	539 118928.....	2 ZERK, GREASE- ¹ / ₄
2..	539 115638.....	2 ZERK, GREASE	10..	539 114805.....	4 SPACER
3..	539 115675.....	2 WASHER, 1.025 ID x 1.64OD	11..	539 105543.....	2 SPACER
4..	539 115747.....	2 SPRING, CASTER	12..	539 114695.....	2 TIRE ASSM W/BEARING
5..	539 115749.....	2 PLUG, CASTER	13..	539 121159.....	2 BOLT, ¹ / ₂ -13 x 6 ¹ / ₂
6..	539 115750.....	2 BEARING	14..	539 101331.....	2 NUT, ¹ / ₂ -13, NYLOC
7..	539 117901.....	2 BUSHING, CASTER	15..	539 123593.....	2 CASTER
8..	539 102535.....	2 BEARING DUST CAP				

DECALS



DECALS

ITEM	PART NO.	QTY.	DESCRIPTION
1..	539 121024....	1	DECAL, 30"
2..	539 130245....	1	DECAL, DISCHARGE
3..	539 111575 ...	1	DECAL, WARNING
4..	539 113213 ...	1	DECAL, WARNING
5..	539 117702 ...	1	DECAL, B & S

ITEM	PART NO.	QTY.	DESCRIPTION
6..	539 119364 ...	1	DECAL, HYDRO GEAR
7..	539 119978 ...	1	DECAL, DRIVE
8..	539 119979 ...	1	DECAL, BLADE DRIVE
9..	539 120006 ...	1	DECAL, PARK BRAKE
10..	539 120188 ...	1	DECAL, SPEEDZTR 30

DIXON ZTR