

INSTALLATION INSTRUCTIONS

60" MULCHER - 539 123048

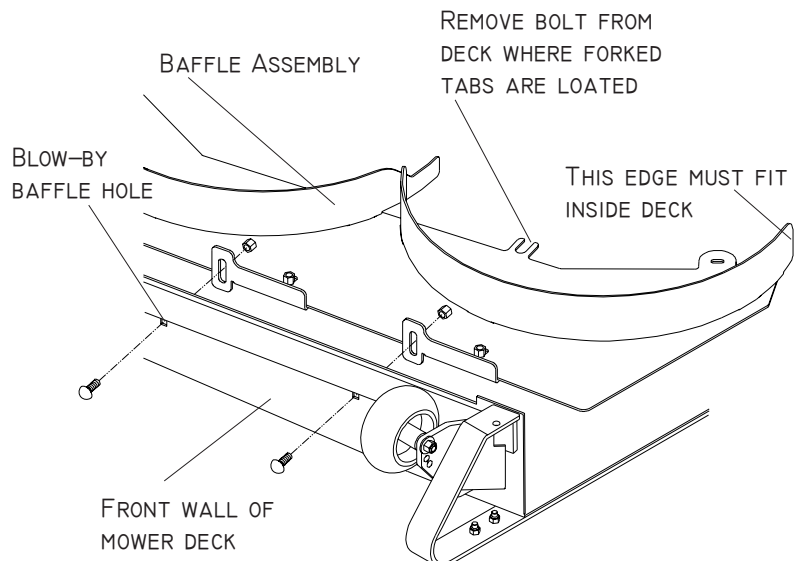
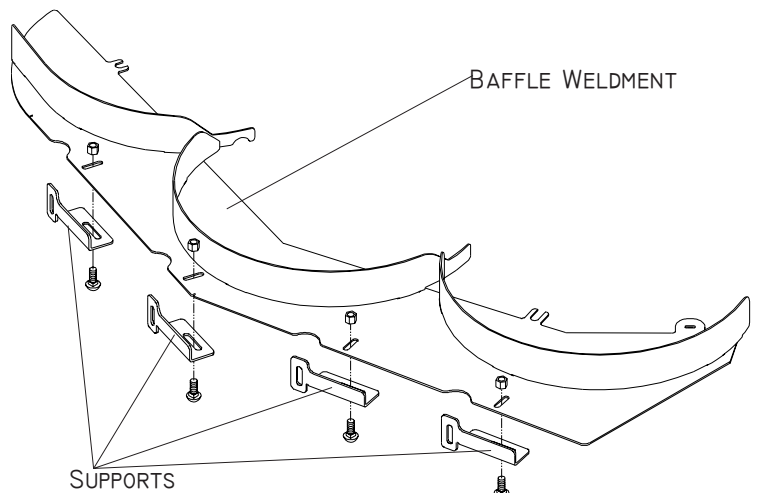
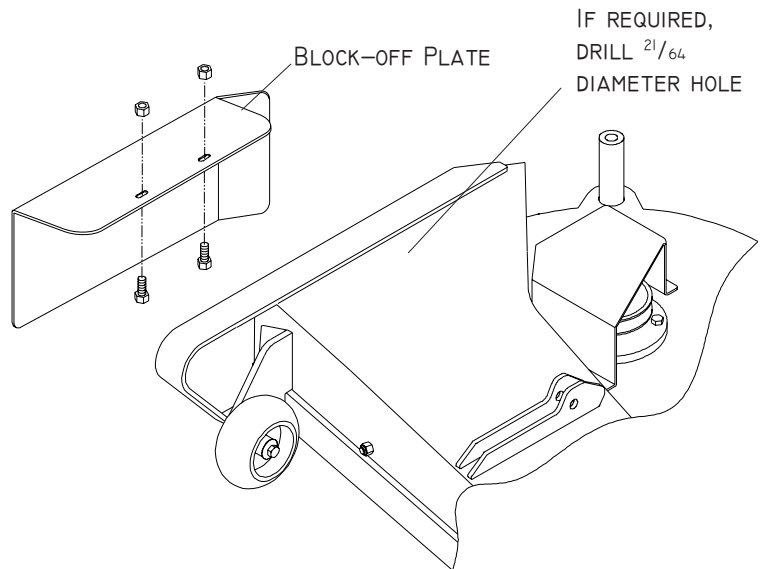
1. Remove mower deck from chassis, if applicable. If necessary, refer to Operator's Manual.
2. Install block-off plate (539 130888) to the deck as illustrated. Use two $\frac{5}{16}$ "-18 x 1" hex head bolts (539 990209) and two $\frac{5}{16}$ " nyloc nuts (539 990717).
3. Install four supports (539 122387) to baffle weldment (539 122349), as illustrated. Use four $\frac{3}{8}$ "-16 x 1" carriage bolts (539 990645) and four $\frac{3}{8}$ " nylok nuts (539 976979). Tighten just enough so the square carriage heads are pulled up into the support slots.



WARNING

Blades are sharp. Protect your hands with gloves and/or wrap blades with a heavy cloth when handling.

4. Turn deck upside down. Remove mower blades. Remove blow-by baffles from front wall of deck.
5. Attach baffle assembly, as illustrated, to front wall of mower deck (in the four holes previously used for the blow-by baffles). Use four $\frac{3}{8}$ "-16 x 1" carriage bolts (539 990645) and four $\frac{3}{8}$ " nylok nuts (539 976979). Do not tighten.
6. Remove three carriage bolts from mower deck where the baffle assembly's three forked tabs align. Refer to illustration. These bolts attach pulley guards to top of deck. New hardware will be put in their place later.
7. Install three mulcher blades (539 118035).
8. Adjust baffle assembly to best position and tighten all hardware installed to this point. Rear of discharge side baffle must fit inside deck. Refer to illustration. Mower blades must not contact baffles. **CONTACT BETWEEN BLADES AND MULCHER PARTS MAY RESULT IN SERIOUS INJURY.**



INSTALLATION INSTRUCTIONS

9. Attach the three forked tabs to the deck. For each forked tab, use a $\frac{5}{16}$ -18 x 1" hex head bolt (539 990209) and a $\frac{3}{8}$ " washer (539 990517) inside mower deck, as illustrated. Secure to outside of deck with $\frac{5}{16}$ " nyloc nut (539 990717).
10. Use the tab closest to the discharge opening as a template to drill a $\frac{21}{64}$ " diameter hole in the deck wall. Refer to illustration.
11. Secure tab to deck with a $\frac{5}{16}$ -18 x $\frac{3}{4}$ " bolt (539 976934) inside deck and a $\frac{5}{16}$ nyloc nut (539 990717) outside deck.
12. Install mower deck to machine. Refer to Operator's Manual, if necessary.

