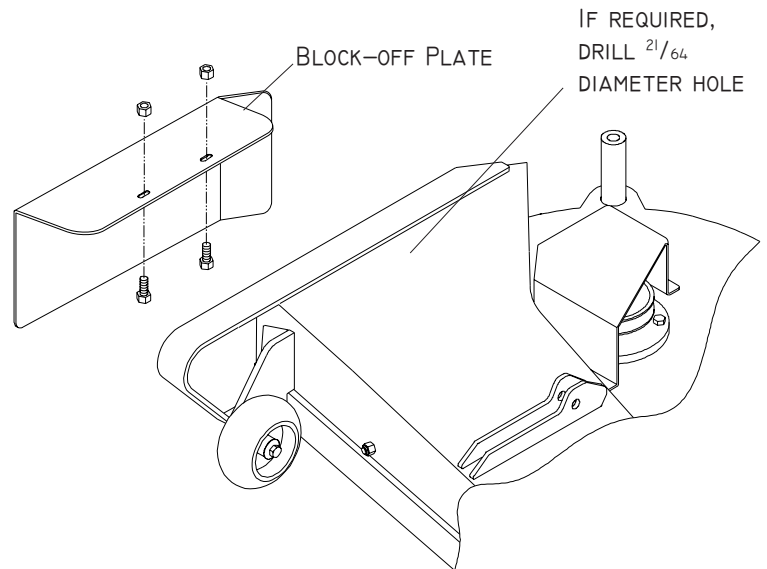


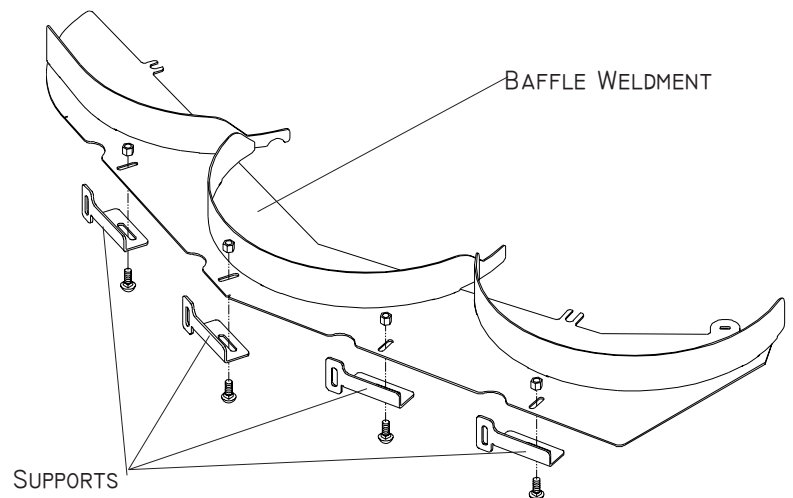
INSTALLATION INSTRUCTIONS

52" MULCHER - 539 123042

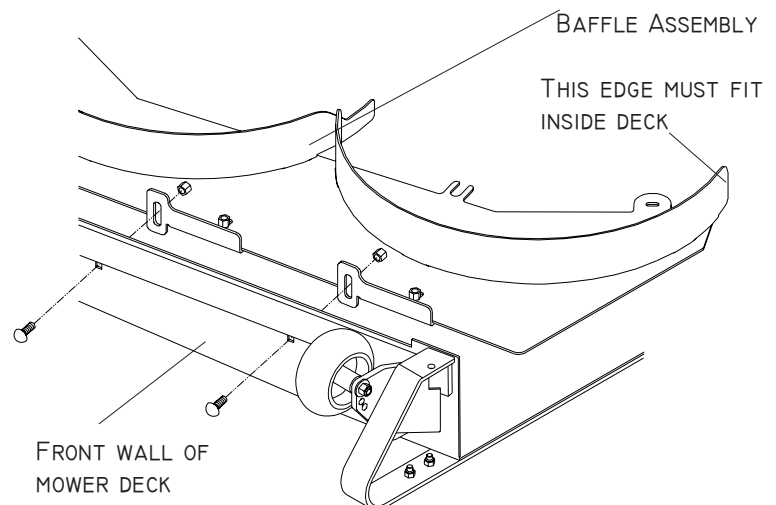
1. Remove mower deck from chassis, if applicable. If necessary, refer to Operator's Manual.
2. Install block-off plate (539 130888) to the deck as illustrated. Use two $\frac{5}{16}$ -18 x 1" hex head bolts (539 990209) and two $\frac{5}{16}$ " nyloc nuts (539 990717).



3. Install four supports (539 122387) to baffle weldment (539 122349), as illustrated. Use four $\frac{3}{8}$ -16 x 1" carriage bolts (539 990645) and four $\frac{3}{8}$ nylok nuts (539 976979). Tighten just enough so the square carriage heads are pulled up into the support slots.
4. Turn deck upside down. Remove mower blades. Remove blow-by baffles from front wall of deck.



5. Attach baffle assembly, as illustrated, to front wall of mower deck (in the four holes previously used for the blow-by baffles). Use four $\frac{3}{8}$ -16 x 1" carriage bolts (539 990645) and four $\frac{3}{8}$ nylok nuts (539 976979). Do not tighten.



6. Install three mulcher blades (539 118035).
7. Adjust baffle assembly to best position and tighten all hardware installed to this point. Rear of discharge side baffle must fit inside deck. Refer to illustration. Mower blades must not contact baffles. **CONTACT BETWEEN BLADES AND MULCHER PARTS MAY RESULT IN SERIOUS INJURY.**

INSTALLATION INSTRUCTIONS



WARNING

Blades are sharp. Protect your hands with gloves and/or wrap blades with a heavy cloth when handling.

8. Use the two tabs illustrated as templates to drill two $\frac{21}{64}$ " diameter holes in deck.
9. Secure tabs to deck with $\frac{5}{16}$ -18 x $\frac{3}{4}$ " bolts (539 976934) and $\frac{5}{16}$ nyloc nuts (539 990717). Bolt heads should be inside mower deck. Refer to illustration. Rotate blades again, to check for clearance with baffle assembly.
10. Install mower deck to machine. Refer to Operator's Manual, if necessary.

