

INSTALLATION INSTRUCTIONS

72" MULCH KIT - 539 132357

For Best Mulching Performance

1. The length of grass cut in one pass should not exceed $\frac{1}{3}$ of the total grass height.
Example: If the grass height is 3" the mower deck cutting height should not be set at less than 2".
2. Ground speed should normally be reduced to allow clippings to be finely mulched.
3. Engine RPM should be set at maximum.
4. Blades must be kept sharp.
5. The underside of deck should be cleaned out often to prevent grass accumulation.
6. Conditions must be dry. Wet grass does not mulch well and grass will accumulate under deck.



WARNING!

Before proceeding, place all controls in the disengaged or off position, remove spark plug wires from the spark plugs.



WARNING!

Blades are sharp. Protect your hands with gloves and/or wrap blades with a heavy cloth when handling.



Installation Instructions

See Parts Illustration on reverse side for hardware orientation

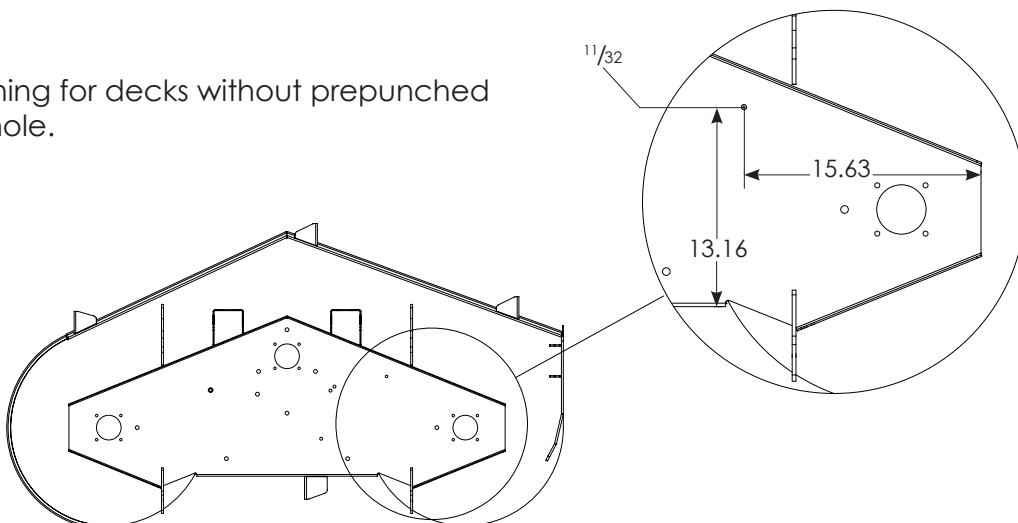
1. Block the front of the mower up to give access to the underside of the front deck. Carefully remove the standard blades retaining the hardware. Clean any grass out from underneath the deck.
2. Remove the two baffle sections from the kit. Bolt the two sections together using bolts provided.
3. Bolt the L-bracket to the right baffle at the middle bend.
4. With the discharge chute up and the two sections bolted together, place the baffle up under the deck and install with hardware provided.

NOTE: Some early production models do not have the prepunched hole for mounting the L-bracket. If necessary, mark hole position and drill a $\frac{11}{32}$ " hole as illustrated below.

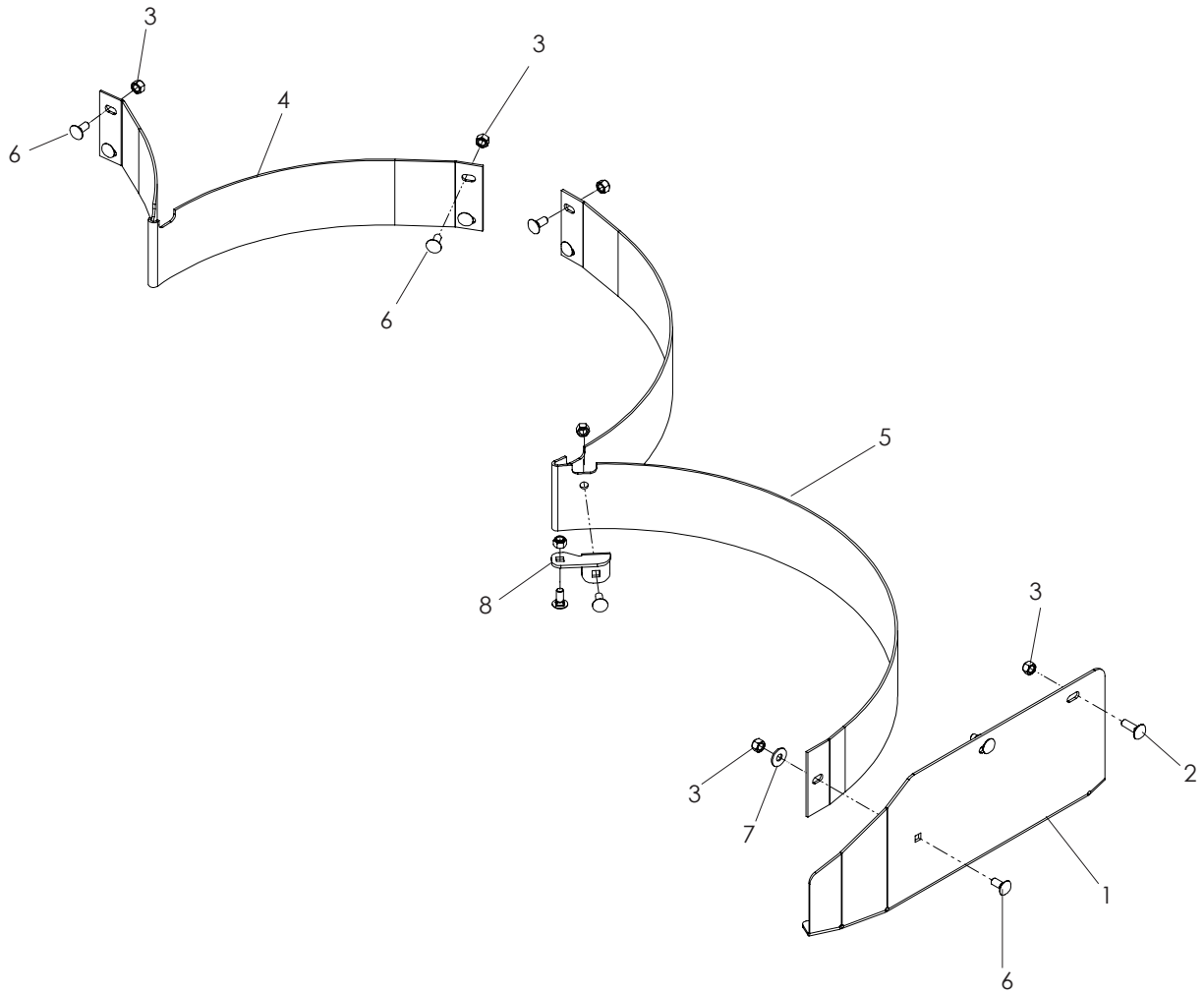
5. Using hardware provided, fasten the discharge cover plate to the deck and baffle.
6. Rotate blades by hand and check for clearance of all baffles.
7. Make sure all hardware is tight and remove blocks and return the mower to its normal position.

NOTE: Tighten all hardware by turning the bolt, not the nut.

Drill positioning for decks without prepunched L-bracket hole.



PARTS LIST



ITEM	PART NO.	QTY.	DESCRIPTION
1.	539 132351	1	CAP, MULCH, 72
2.	539 990208	2	RHSNB, $\frac{5}{16}$ -18 X 1, GR5
3.	539 990717	11	NUT, $\frac{5}{16}$ -18, NYLOC
4.	539 132353	1	BAFFLE, MULCH, LEFT

ITEM	PART NO.	QTY.	DESCRIPTION
5.	539 132355	1	BAFFLE, MULCH, RIGHT
6.	539 990316	9	RHSNB, $\frac{5}{16}$ -18 X $\frac{3}{4}$, GR5
7.	539 990692	1	WASHER, $\frac{5}{16}$
8.	505 338702	1	L-BRACKET

NOTE: TIGHTEN ALL HARDWARE BY TURNING THE BOLT, NOT THE NUT.