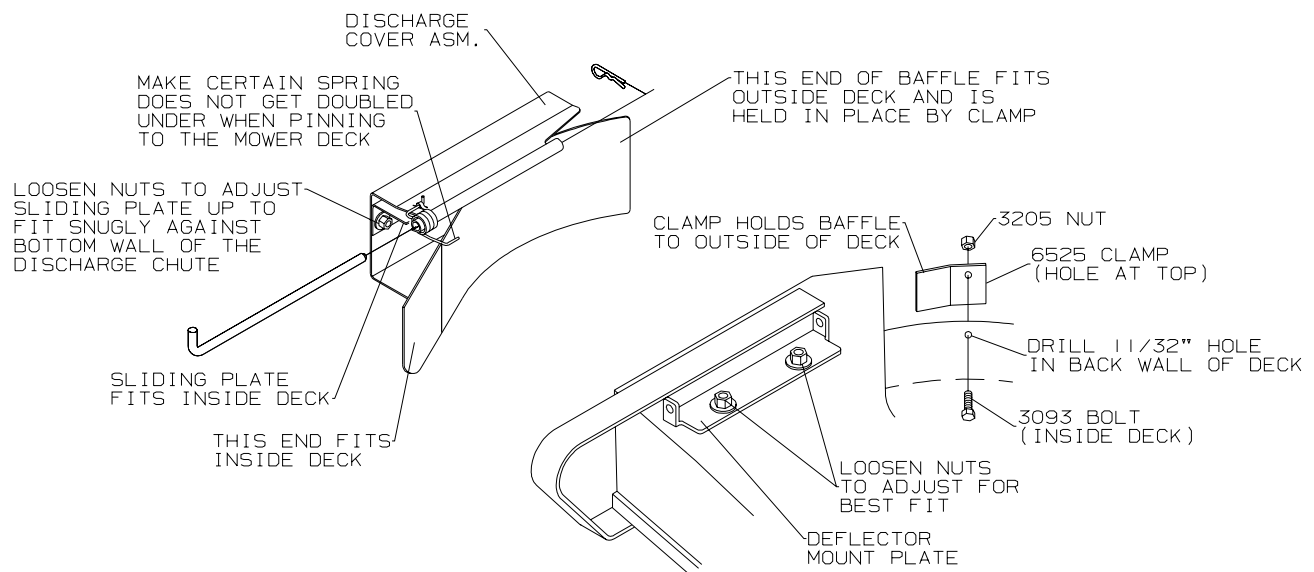


INSTALLATION INSTRUCTIONS

50" MULCHING KIT - P/N 385

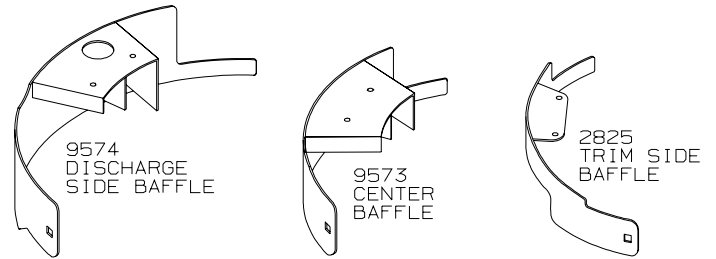
- 1) Remove mower deck from the machine. Refer to Operator's Manual, if necessary. Remove deflector.
- 2) Remove existing mower blades from deck and replace with mulcher blades. If mulcher is to be removed from the deck, it is recommended that standard mower blades be put back on.
- 3) Install discharge cover assembly into mower deck. Refer to illustration below.
 - A) The front end of the baffle fits inside deck.
 - B) The rear of the baffle fits outside deck.
 - C) The sliding plate must be adjusted to fit snugly against bottom wall of discharge chute. Tighten nuts.
 - D) The assembly attaches to the deflector plate with the deflector pin and cotter pin.
 - E) Spring must not be doubled under when assembly is attached to mower deck.



- 4) Rotate mower blade on the discharge side several times to be sure it will not contact discharge cover assembly.
- 5) Refer to illustration to install clamp (6525) to the rear of the mower deck. Position clamp with hole at top, as shown, so when it is bolted to the deck, it will hold the rear of the baffle firmly against the outside of the deck. The top edge of the clamp needs to be flush with the top of the deck. If the clamp is located too low, there may not be sufficient clearance between mower blade and bolt head which will attach the clamp. Mark location of hole in clamp and drill an 11/32" hole in the rear of the deck. Attach clamp using 5/16-18 x 1" hex head bolt (3093) and 5/16-18 nylok nut (3205). Bolt head must be inside deck. Rotate blade to check for clearance with the bolt head. CONTACT BETWEEN BLADES AND MULCHER PARTS MAY RESULT IN SERIOUS INJURY.

6) Refer to the illustration at right to identify the mulcher baffles.

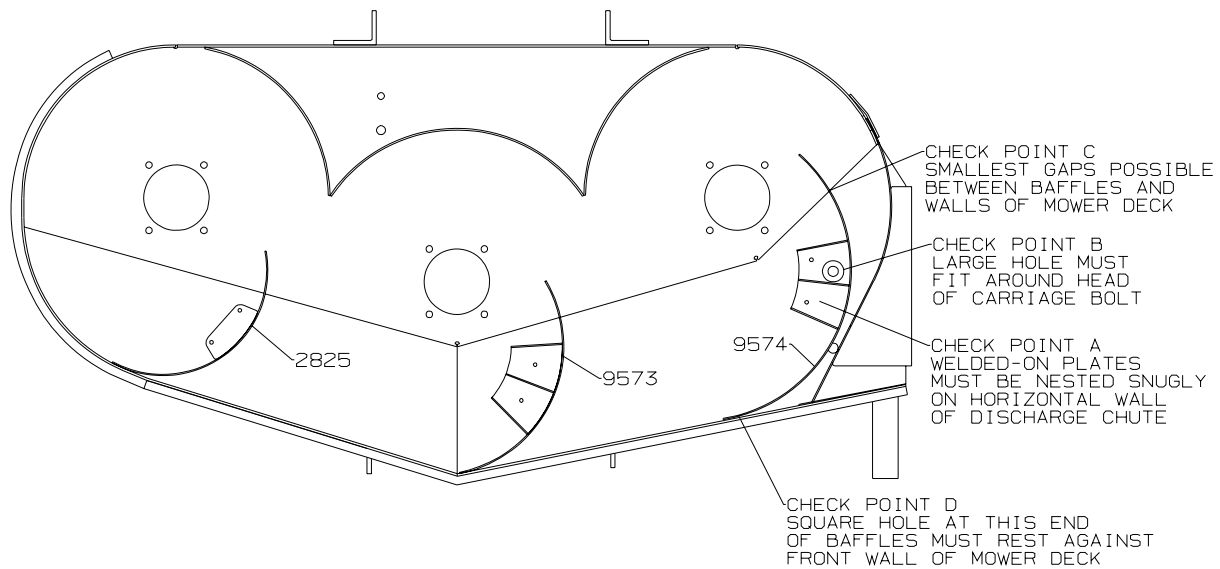
The largest baffle (9574) is for the discharge side blade.
The middle-sized baffle (9573) is for the center blade.
The smallest baffle (2825) is for the trim side blade.



7) Install the baffles in the mower deck in the generalized locations illustrated below. Slide each baffle around in the discharge chute to achieve the best possible fit.

- A) the welded-on plate on each baffle must fit tightly on the horizontal wall of the discharge chute.
- B) large hole in 9574 baffle must fit around head of carriage bolt installed in deck.
- C) the smallest gaps possible must be achieved between baffles and deck walls/contours.
- D) a square hole at the end of each baffle must be resting against the front wall of the mower deck.

8) Rotate mower blades several times to check for sufficient clearance with all baffles.



9) Mark location of the three square holes in the front wall of the deck and the six small holes in the horizontal wall of the deck.

10) Remove baffles from deck and drill an 11/32" diameter hole at each of the three marked locations on the front wall of the deck. Drill a 7/32" diameter hole at each of the six marked locations on the horizontal wall of the deck.

11) Replace baffles in the deck and attach to front of deck with 5/16-18 x 1" carriage bolts (3167), 5/16 flat washers (3020), and 5/16-18 nylok nuts (3205). Carriage bolt heads must be inside deck, washers and nuts outside deck.

12) Complete the attachment of baffles by installing 1/4-20 x 1" tapping screw through each of the six 7/32" holes in the deck. Head of tapping screws (3368) must be inside deck. Attach with 1/4-20 nylok nuts (3204) on top of deck.

13) Once again, rotate mower blades several times to check for sufficient clearance with all baffles. CONTACT BETWEEN BLADES AND MULCHER PARTS MAY RESULT IN SERIOUS INJURY.

14) Reinstall mower deck to chassis. Refer to Operator's Manual, if necessary.