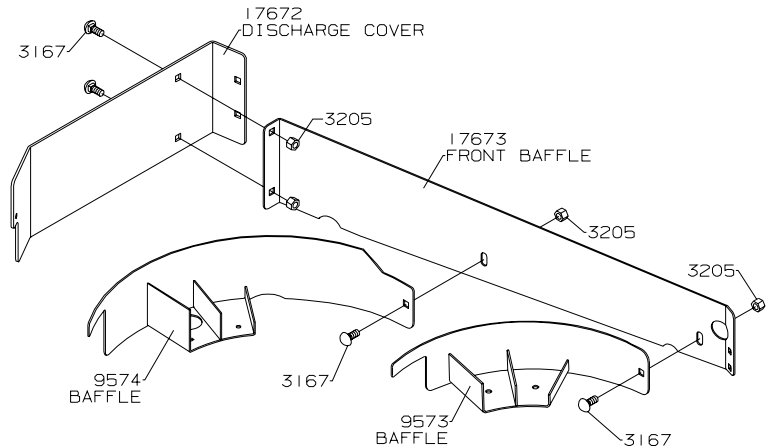


## INSTALLATION INSTRUCTIONS

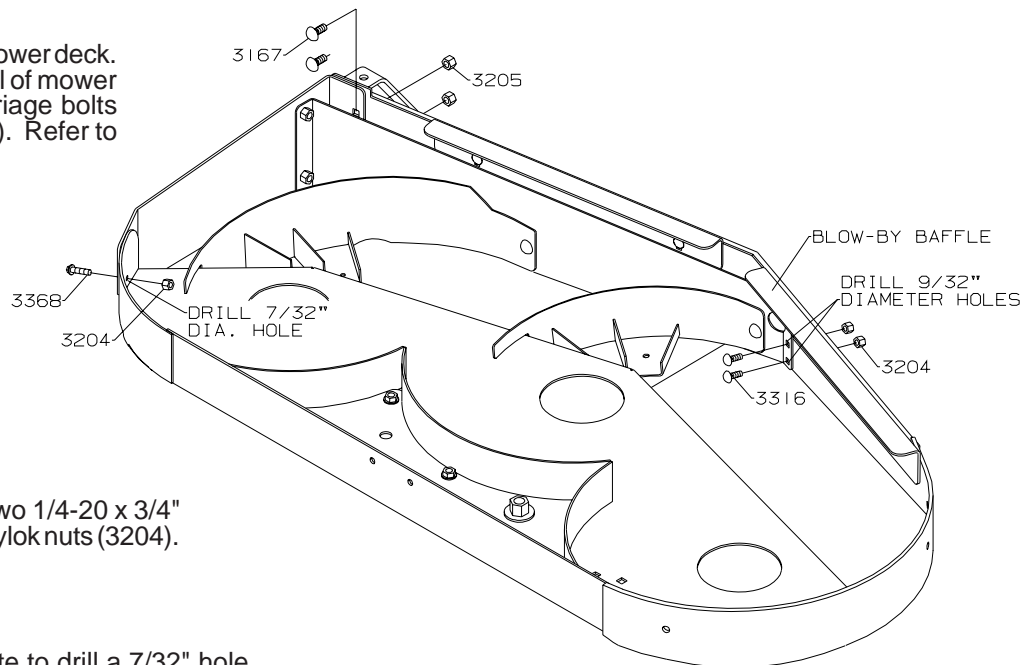
### 44" MULCHING KIT - P/N 848

- 1) Remove mower deck from the machine. Refer to Operator's Manual, if necessary. Remove deflector.
- 2) Remove existing mower blades from deck and replace with mulcher blades. If mulcher is to be removed from the deck, it is recommended that standard mower blades be put back on.
- 3) Assemble four plates, as illustrated at right. Use four 5/16-18 x 3/4" carriage bolts (3167) and four 5/16" nylok nuts (3205).



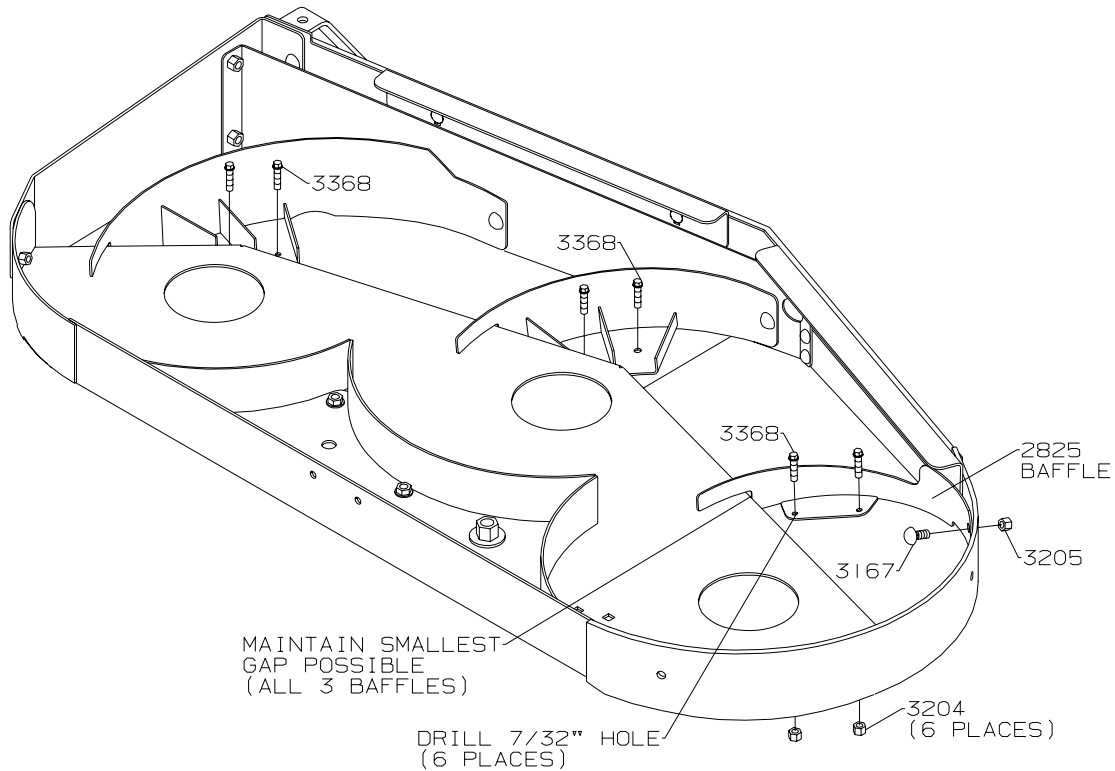
- 4) Install baffle/cover assembly into mower deck. Attach discharge cover to front wall of mower deck. Use two 5/16-18 x 3/4" carriage bolts (3167) and 5/16" nylok nuts (3205). Refer to illustration.

- 5) Use front baffle as a template to drill two 9/32" holes in front wall of deck. Large hole in front baffle should fit around the bolt head of blow-by baffle. Refer to illustration.



- 6) Secure front baffle to deck. Use two 1/4-20 x 3/4" carriage bolts (3316) and two 1/4" nylok nuts (3204). Refer to illustration.
- 7) Use discharge cover as a template to drill a 7/32" hole in curved deck wall at rear of discharge opening. Refer to illustration.
- 8) Secure rear of discharge cover to deck. Use 1/4-20 x 1" tapping screw (3368). Secure screw with 1/4" nylok nut (3204). Refer to illustration.

- 9) Install trim side baffle (2825). Deck has two holes approximately 3-1/8" apart (for deck roller bracket). Use the inboard hole to secure baffle to deck. Use 5/16-18 x 3/4" carriage bolt (3167) and 5/16 nylok nut (3205). A longer bolt would be needed here if a deck roller bracket is installed. Refer to illustration.
- 10) Rotate all three blade baffles into position, with smallest gaps possible between baffle and deck walls. Drill a 7/32" hole in the deck through each of the six small hole locations. Refer to illustration.
- 11) Secure baffles to deck using six 1/4-20 x 1" tapping screws (3368). Secure screws with six 1/4" nylok nuts (3204) on the outside of the deck. Refer to illustration.



- 12) Rotate mower blades several times to check for sufficient clearance with all baffles. CONTACT BETWEEN BLADES AND MULCHER PARTS MAY RESULT IN SERIOUS INJURY.
- 13) Reinstall mower deck to chassis. Refer to Operator's Manual, if necessary.