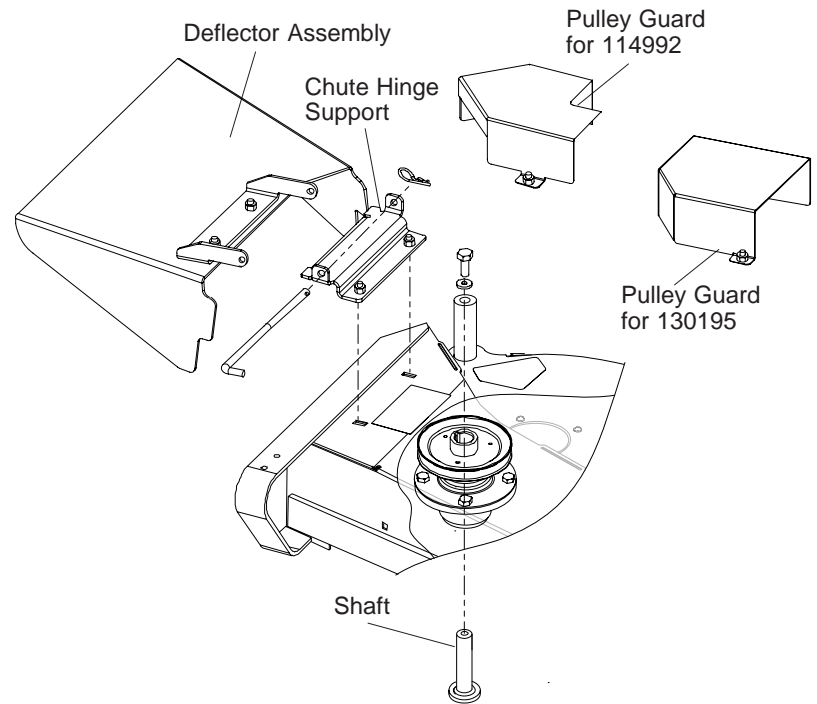


INSTALLATION INSTRUCTIONS

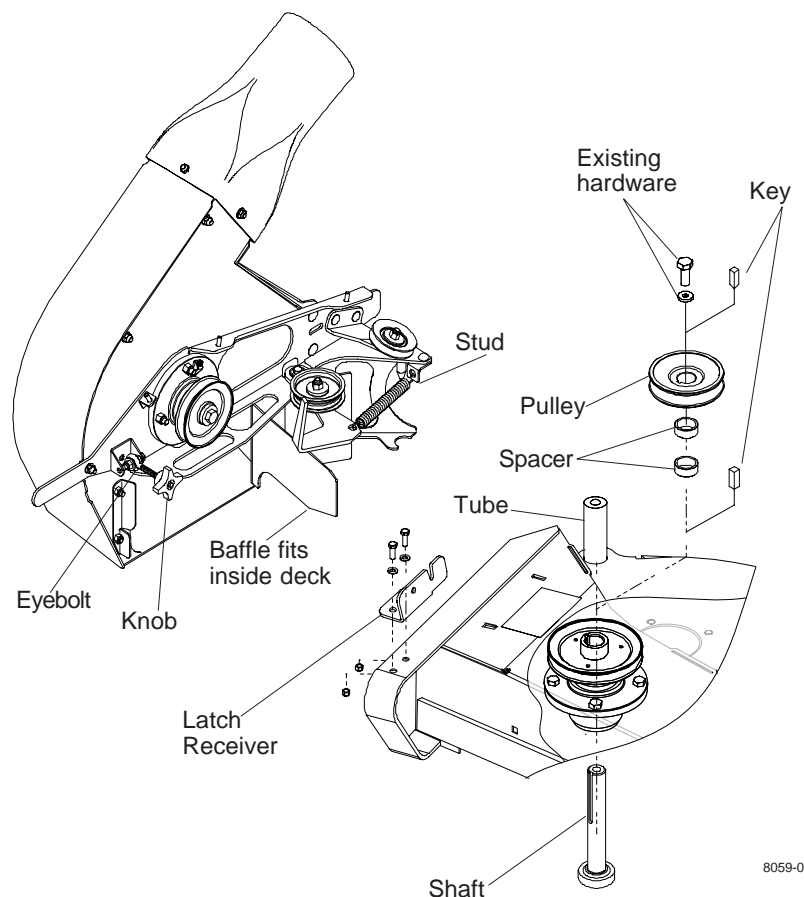
52"/60" BLOWER (KODIAK AND GRIZZLY) - P/N 52" 114992 / 60" 130195

1. Remove deflector assembly and the chute hinge support from mower deck. Remove right pulley guard. Remove shaft from right deck hub. See illustration.



8059-001

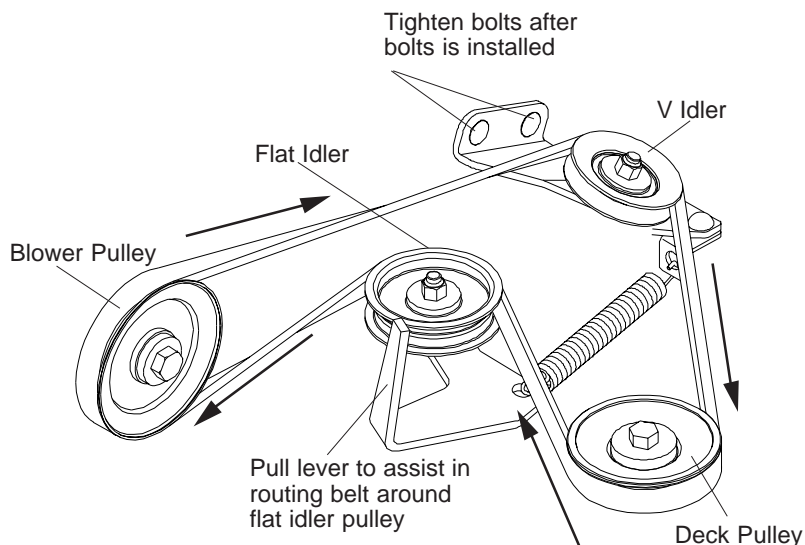
2. Install new shaft (539 117912). Use existing deck pulley and key. Add two spacers (539 119489) and new key (539 116196). Add new pulley (539 121215), with raised portion of pulley hub on the bottom. Attach latch receiver to existing deck with supplied bolts. Secure with existing hardware and tighten to 70-80 ft./lbs. See illustration.
3. An individual's preference for either HiLift or LoLift blades may vary, depending on mowing conditions and on the type and heaviness of grass to be bagged. Tighten blade attaching hardware to 60-70 ft./lbs.
4. Attach blower housing assembly to mower deck. First, insert the stud at rear of blower housing into tube at rear of deck discharge opening. See illustration. Rotate blower housing around toward the front. The eyebolt at front of blower housing will nest into slot in latch receiver. Tighten with knob on eyebolt. See illustration.



8059-003

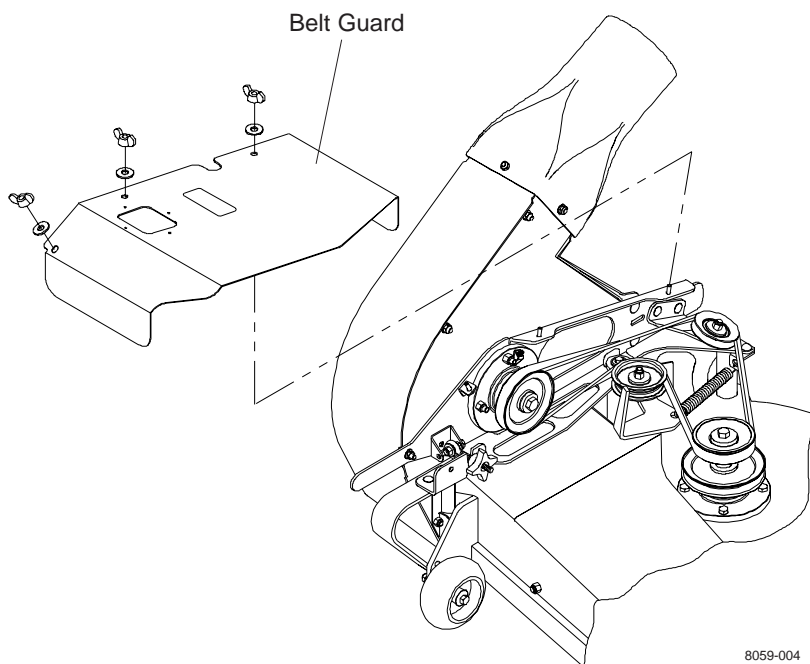
INSTALLATION INSTRUCTIONS

5. Install blower drive belt (539 120772) so blower rotation is clockwise when viewed from the operator's position. Belt is easiest to install if mounted on the flat idler pulley last. Pull lever in illustration to assist in routing belt around flat idler. After belt is installed, make certain the bolts are tight on the bracket supporting the rear "V" idler pulley. See illustration.



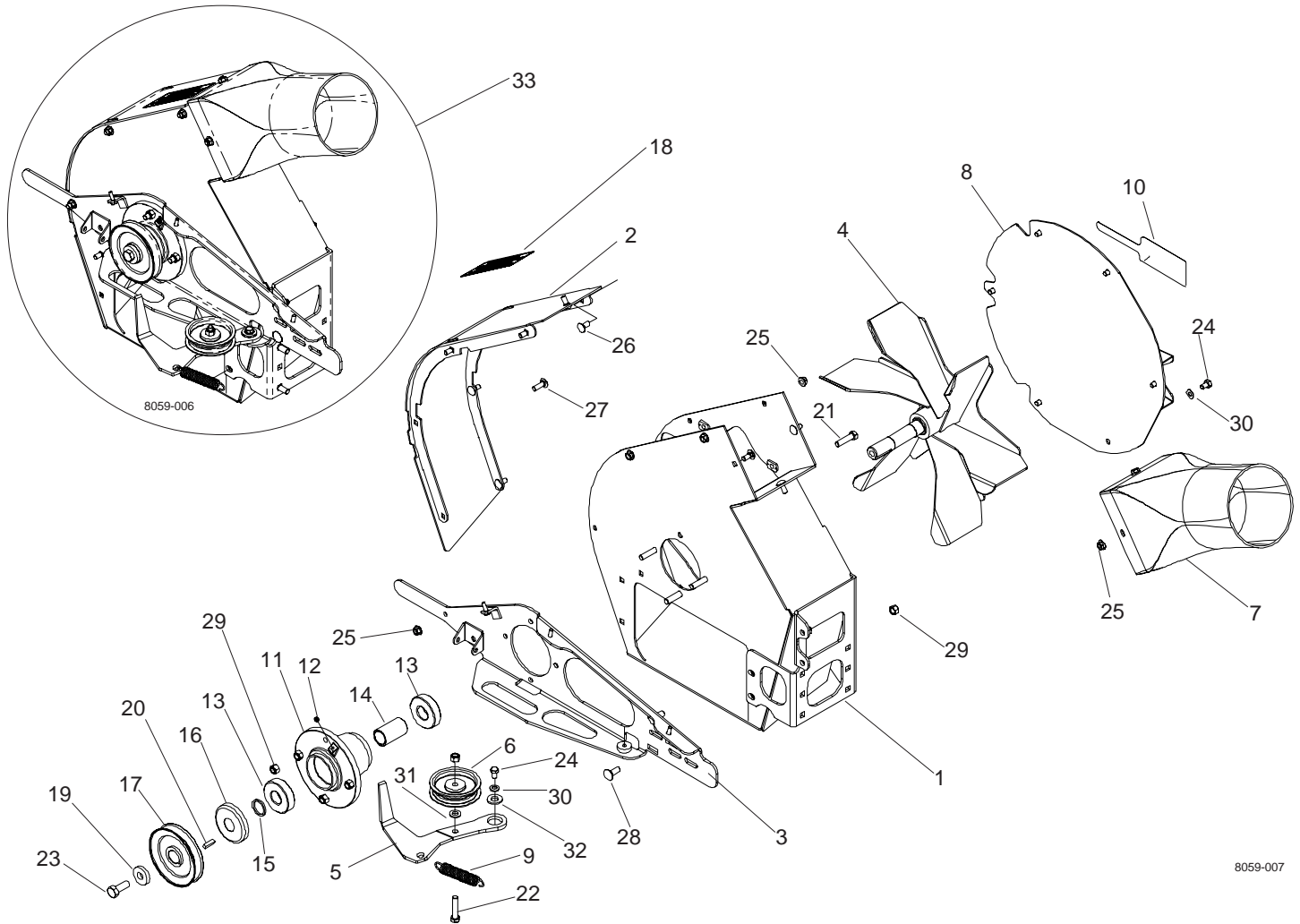
8059-002

6. Install belt guard to blower assembly using three ¼" washers (539 119448) and three ¼" wing nuts (539 990997). See illustration.
7. Discharge tube is included with grass bagger kit.



8059-004

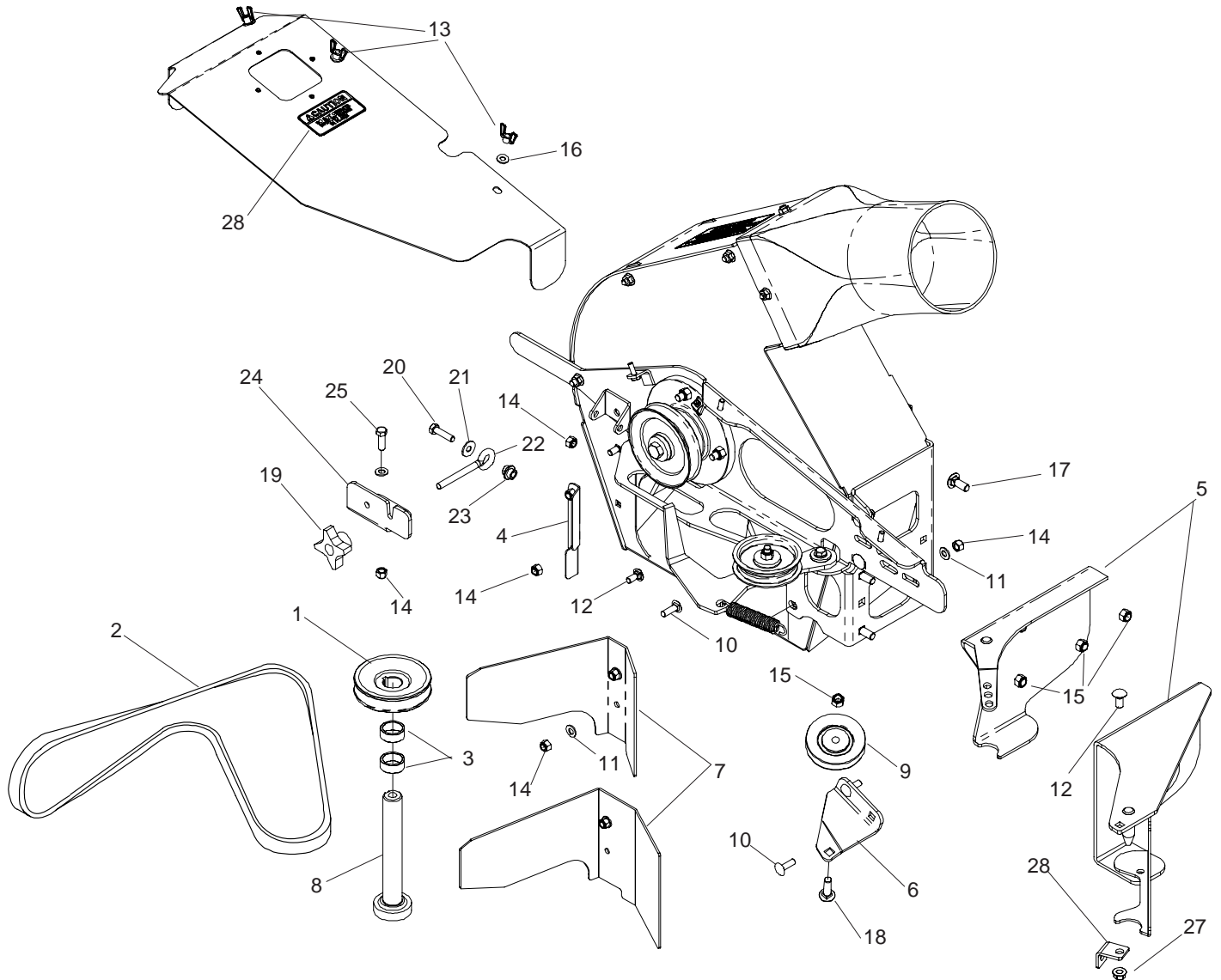
PARTS LIST



8059-007

ITEM	QTY	P/N	DESCRIPTION
11	539 117919	FAN HOUSING
21	539 130684	SANDLINER w/DECAL
31	539 118253	BLOWER HUB STIFFENER
41	539 117917	FAN
51	539 117924	FAN IDLER ARM
61	539 117500	3" METAL IDLER
71	539 118211	BLOWER EXIT TUBE
81	539 118270	OUTER PLATE
91	539 115275	SPRING, 4"
101	539 119902	DECAL, NEW LOGO
111	539 117970	DECK HUB – MACHINED
121	539 115638	3/16" DRIVE ZERK
132	539 119260	BEARING
141	539 117971	SPACER
151	539 115326	HUB PULLEY SPACER
161	539 119811	TRASH GUARD
171	539 119264	PULLEY
181	539 115401	G.C.WARNING DECAL
191	539 115636	WASHER, .525 x 1.375 x .25
201	539 115387	KEY 1/4 x .88
214	539 990655	HCS 3/8-16 x 1 1/4 GR 5 ZD
221	539 990730	HCS 3/8-16 x 1 3/4 GR 5 ZD
231	539 115511	1/2-20 UNF x 1 1/4 HHBLT
247	539 124796	HCS 5/16-18 x 1/2 GR5 ZD
2511	539 115674	5/16-18 FLANGED L-NUT
2610	539 990316	RHSNB 5/16-18 x 3/4 GR5 ZD
271	539 107271	RHSSNB 5/16C x 1
282	539 990645	RHSNB 3/8-16 x 1 GR5 ZD
297	539 976979	NUT 3/8-16 HEX NYLOC ZD
307	539 990188	WASHER, 5/16 FLAT ZD
313	539 990122	WASHER, 3/8 FLAT ZD
321	539 990250	WASHER, .531 x 1.062 x .121
331	539 114991	BLOWER ASSEMBLY

PARTS LIST



8059-005

ITEM	QTY	P/N	DESCRIPTION
11...	539 121215	PULLEY, V
21...	539 120772	BELT
32...	539 119489	HUB, BEARING - SPACER
41...	539 118257	ANGLE 52"
51...	539 118250	52" BLOWER PIVOT
1...	539 118261	60" BLOWER PIVOT
61...	539 118249	FIXED IDLER BRACKET
71...	539 117938	BLOCK OFF PLATE 52"
1...	539 118265	BLOCK OFF PLATE 60"
81...	539 117912	SPINDLE
91...	539 117501	3" METAL IDLER
104...	539 107271	RHSSNB $\frac{5}{16}$ C x 1
116...	539 990188	WASHER $\frac{5}{16}$ SAE FLAT ZD
122...	539 990316	RHSNB $\frac{5}{16}$ -18 x $\frac{3}{4}$ GR5 ZD
133...	539 990997	.25C NYLOK WINGNUT

ITEM	QTY	P/N	DESCRIPTION
149...	539 990717	NUT $\frac{5}{16}$ -18 HEX NYLOK ZD
155...	539 976979	NUT $\frac{3}{8}$ -16 HEX NYLOK ZD
163...	539 115562	$\frac{1}{4}$ " FLAT WASHER
174...	539 990645	RHSNB $\frac{3}{8}$ -16 x 1 GR5 ZD
181...	539 109345	RHSNB, $\frac{3}{8}$ -16 x $1\frac{1}{2}$ GR5 ZD
191...	539 115746	ADJUST KNOB
201...	539 990627	HCS $\frac{5}{16}$ -18 x $1\frac{1}{4}$ GR 5 ZD
211...	539 990692	WASHER, $\frac{5}{16}$ STD FLT ZD
221...	539 115574	EYE BOLT $\frac{5}{16}$ x $3\frac{1}{2}$
231...	539 127092	SPRING CAP
241...	539 117939	LATCH RECEIVER
252...	539 990209	HCS $\frac{5}{16}$ -18 x 1 GR5 ZD
261...	539 121589	SPRING MOUNT
271...	539 115674	$\frac{5}{16}$ -18 FLANGED L-NUT
281...	539 115715	DECAL, CAUTION
291...	539 114993	BELT GUARD w/DECAL 52"
1...	539 130198	BELT GUARD w/DECAL 60"