

# INSTALLATION INSTRUCTIONS

44"/50" BLOWER (RAM) - P/N 44" 130360 / 50" 130372

## 50" Inch Blower System

1. Remove mower deck from chassis. Refer to manual if necessary. Pull out deflector pin and remove deflector chute. Remove existing chute hinge support and replace with new (539 130373) . Remove right pulley guard. Remove shaft from right spindle. See illustration.

Note: Items on the illustrations with part numbers are included in the kit. Items without part numbers are part of the unit. Some items will be reused. See instructions and illustrations for details.

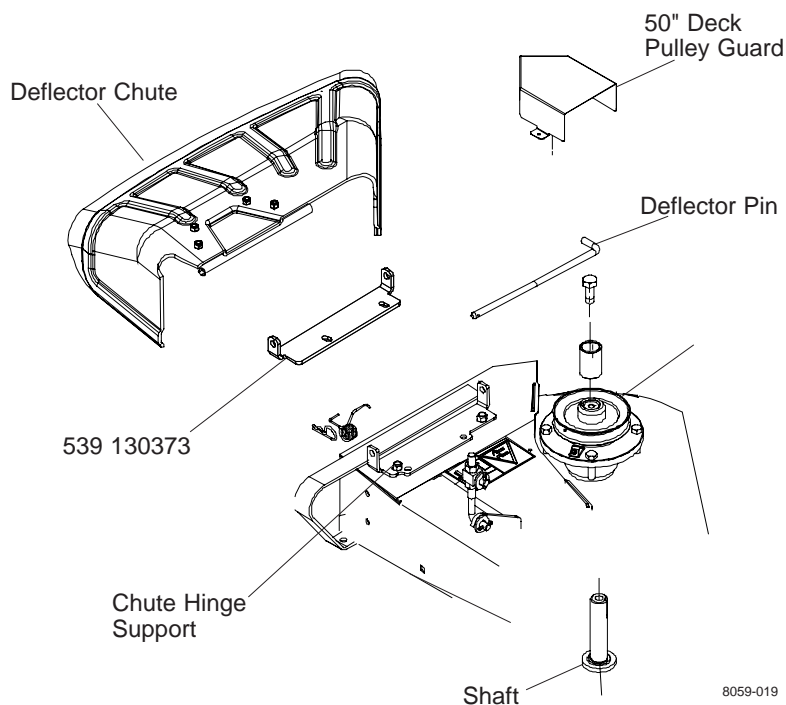
2. Install new shaft (539 119810). Use existing deck pulley. Install spacer (539 976952) and key (539 116196) as shown in illustration. Install pulley (539 118687) and secure with original flat washer and bolt (539 115549). Be sure to orient raised portion of pulley hub to the bottom. Attach latch receiver (539 130373) to deck with existing hardware and tighten to 70-80 ft./lbs. See illustration. Install idle blower pulley (539 117501) using bolt (539 990730), spacer (539 115359) under the pulley and secure with nyloc nut (539 976979).

3. An individual's preference for either HiLift or LoLift blades may vary, depending on mowing conditions and on the type and heaviness of grass to be bagged. Tighten blade, attaching hardware to 60-70 ft./lbs.

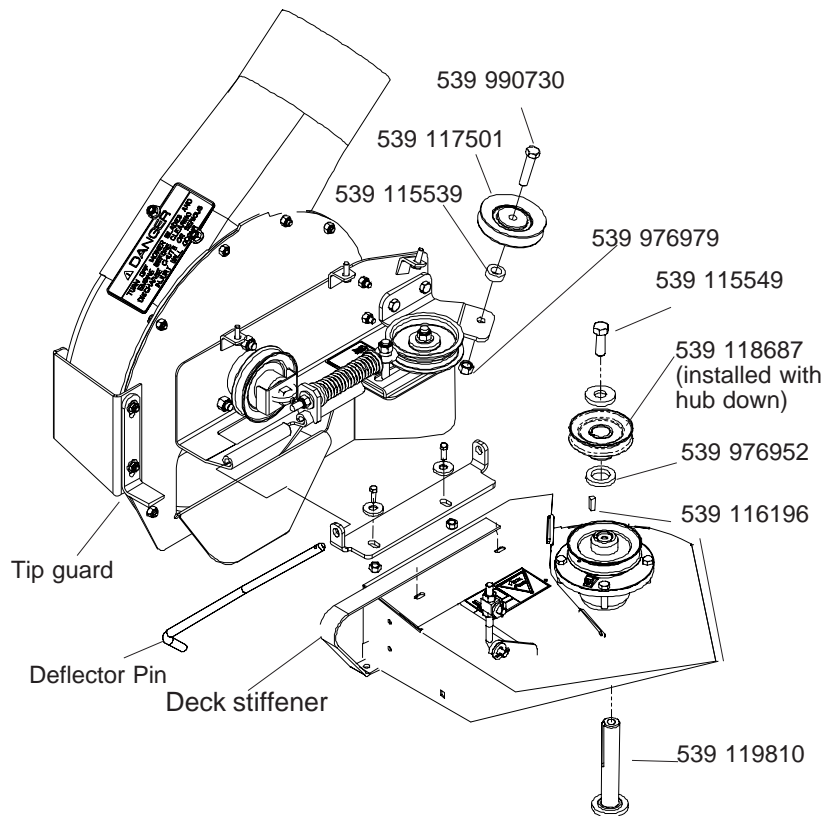
4. Attach blower housing assembly to mower deck with blower housing butted snugly against discharge opening and horizontal tip guard under deck stiffener strap. Attach blower assembly to latch receiver using deflector pin removed in step one.

Outside wall of blower should be as vertical as possible. If blower is tilted excessively then it could come off. If necessary loosen hardware in slots and reposition blower assembly. Tighten mounting hardware securely.

5. Loosen tip guard hardware and position to contact under side of deck stiffener. Tighten hardware.



8059-019



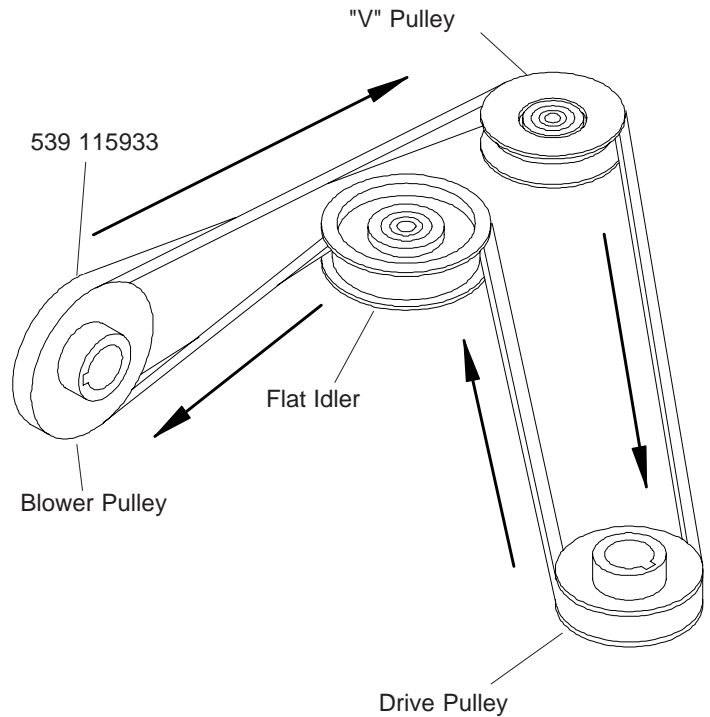
8059-020

# INSTALLATION INSTRUCTIONS

6. Install mower deck and blower assembly to mower chassis. Ensure that the blades are level with the deck and the deck is pitched correctly. Make any adjustments before proceeding.

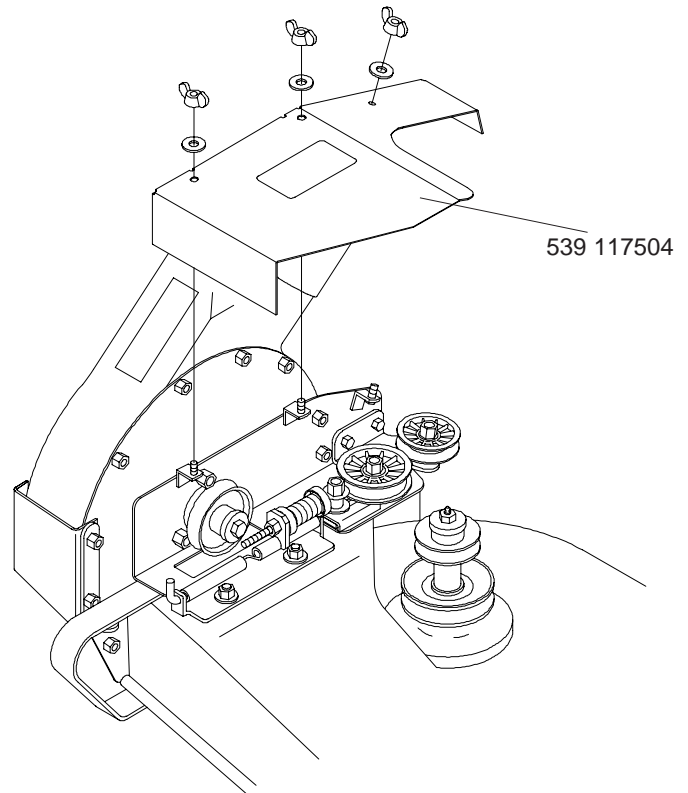
Install blower drive belt (539 115933) so blower rotation is clockwise when viewed from the operator's position.

To assist with belt installation, tighten the nut on the threaded spring rod a few turns. This will pull the flat idler forward and allow more clearance with the V-idler. Once belt is in place, loosen the nut on the threaded spring idler for proper belt tension. See illustration.



8059-022

7. Install belt guard (539 117504) to blower assembly using three 1/4" washers (539 990055) and three 1/4" wing nuts (539 990997). See illustration.
8. Discharge tube is included with grass bagger kit.



8059-021

# INSTALLATION INSTRUCTIONS

## 44" Inch Blower System

1. Remove mower deck from chassis. Refer to manual if necessary. Pull out deflector pin and remove deflector chute. Remove existing chute hinge support and replace with new hinge support (539 121454) using existing hardware. Remove right pulley guard. Remove shaft from right spindle. See illustration.

Note: Items on the illustrations with part numbers are included in the kit. Items without part numbers are part of the unit. Some items will be reused. See instructions and illustrations for details.

2. Install new shaft (539 119810). Use existing deck pulley.

3. Install pulley (539 121103) and key (539 116196). Secure with original flat washer and bolt. See illustration.

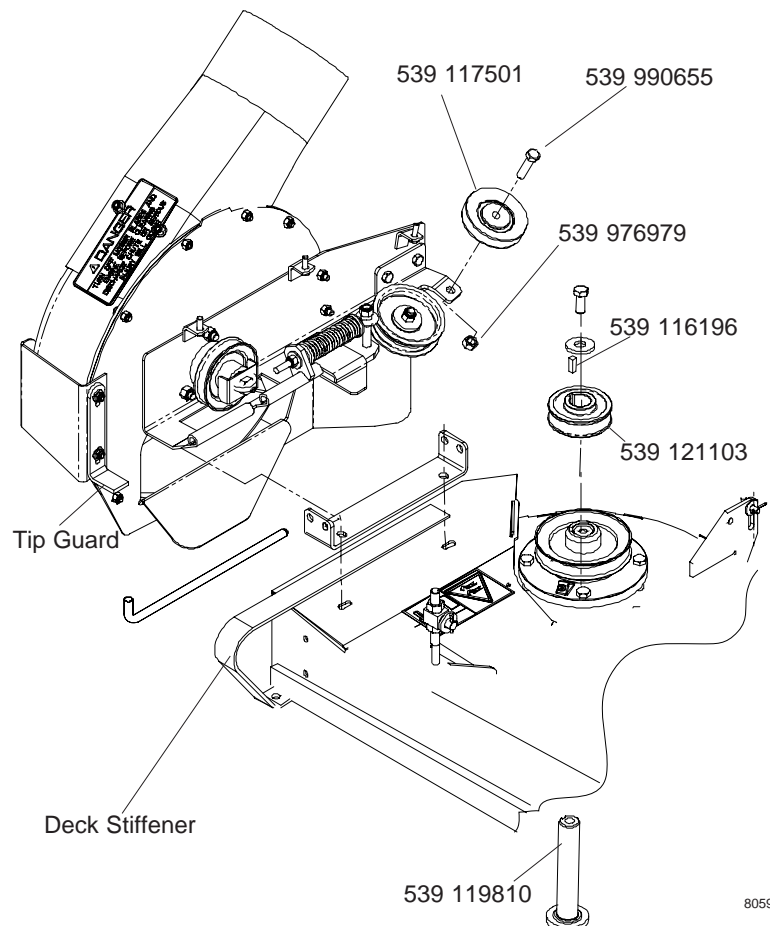
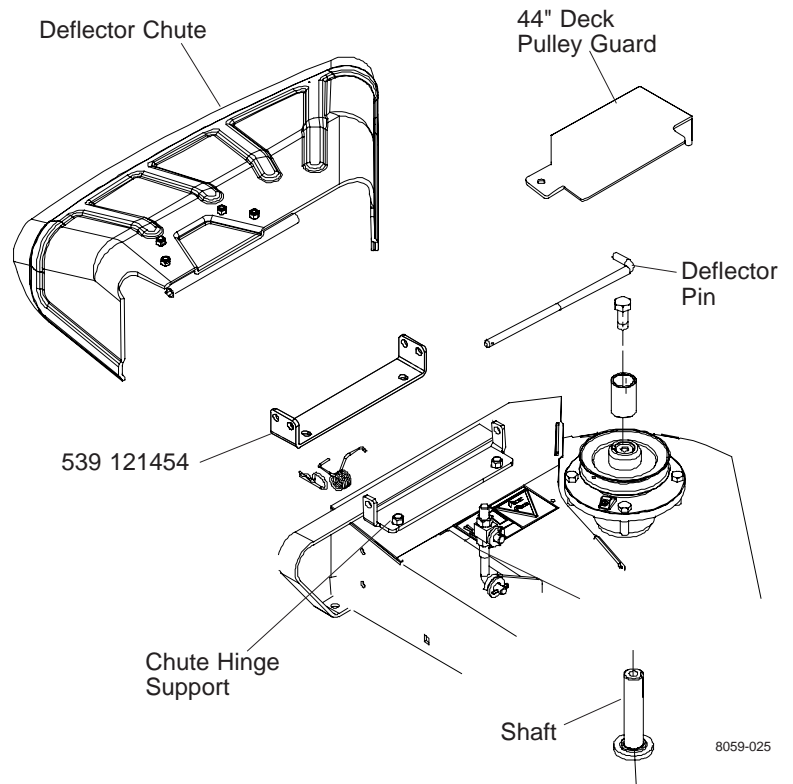
4. Install idle blower pulley (539 117501) using bolt (539 990655), and secure with nyloc nut (539 976979).

An individual's preference for either HiLift or LoLift blades may vary, depending on mowing conditions and on the type and heaviness of grass to be bagged. Tighten blade, attaching hardware to 60-70 ft./lbs.

5. Attach blower housing assembly to mower deck with blower housing butted snugly against discharge opening and horizontal tip guard under deck stiffener strap. Attach blower assembly to chute hinge support using deflector pin removed in Step 1.

Outside wall of blower should be as vertical as possible. If blower is tilted excessively it could come off. If necessary, loosen hardware in slots and reposition blower assembly. Tighten mounting hardware securely.

6. Loosen tip guard hardware and position to contact under side of deck stiffener. Tighten hardware.

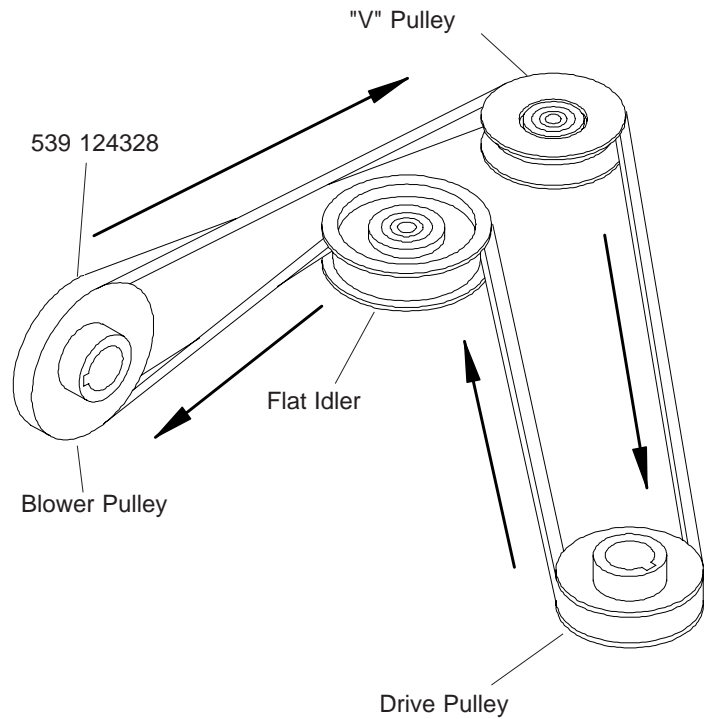


# INSTALLATION INSTRUCTIONS

7. Install blower and deck assembly to the mower chassis. Ensure that blades are level with the deck and the deck is pitched correctly. Make any adjustments before proceeding.

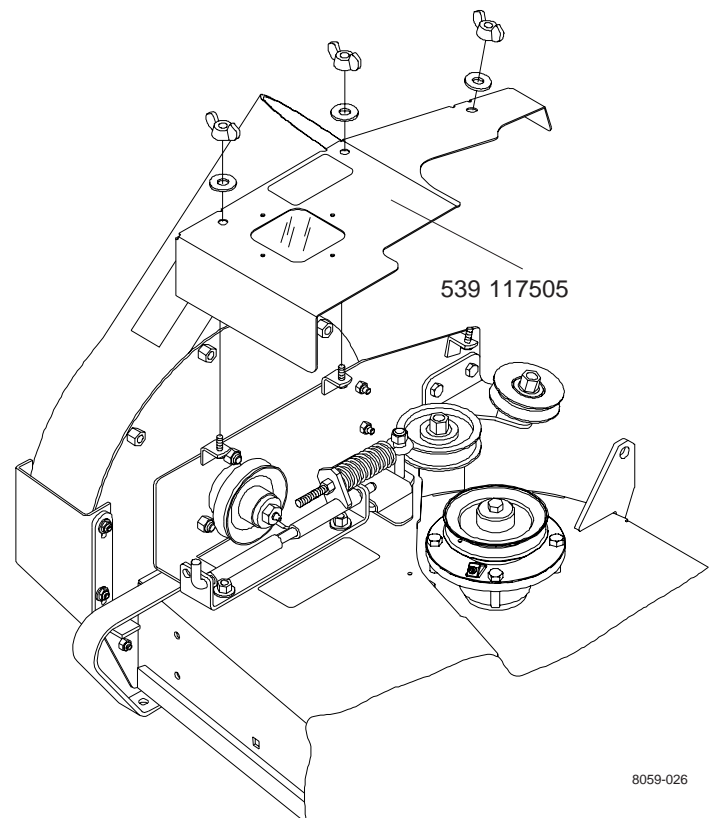
Install blower drive belt (539 124328) so blower rotation is clockwise when viewed from the operator's position.

To assist with belt installation, tighten the nut on the threaded spring rod a few turns. This will pull the flat idler forward and allow more clearance with the V-idler. Once belt is in place, loosen the nut on the threaded spring idler for proper belt tension . See illustration.



8059-022

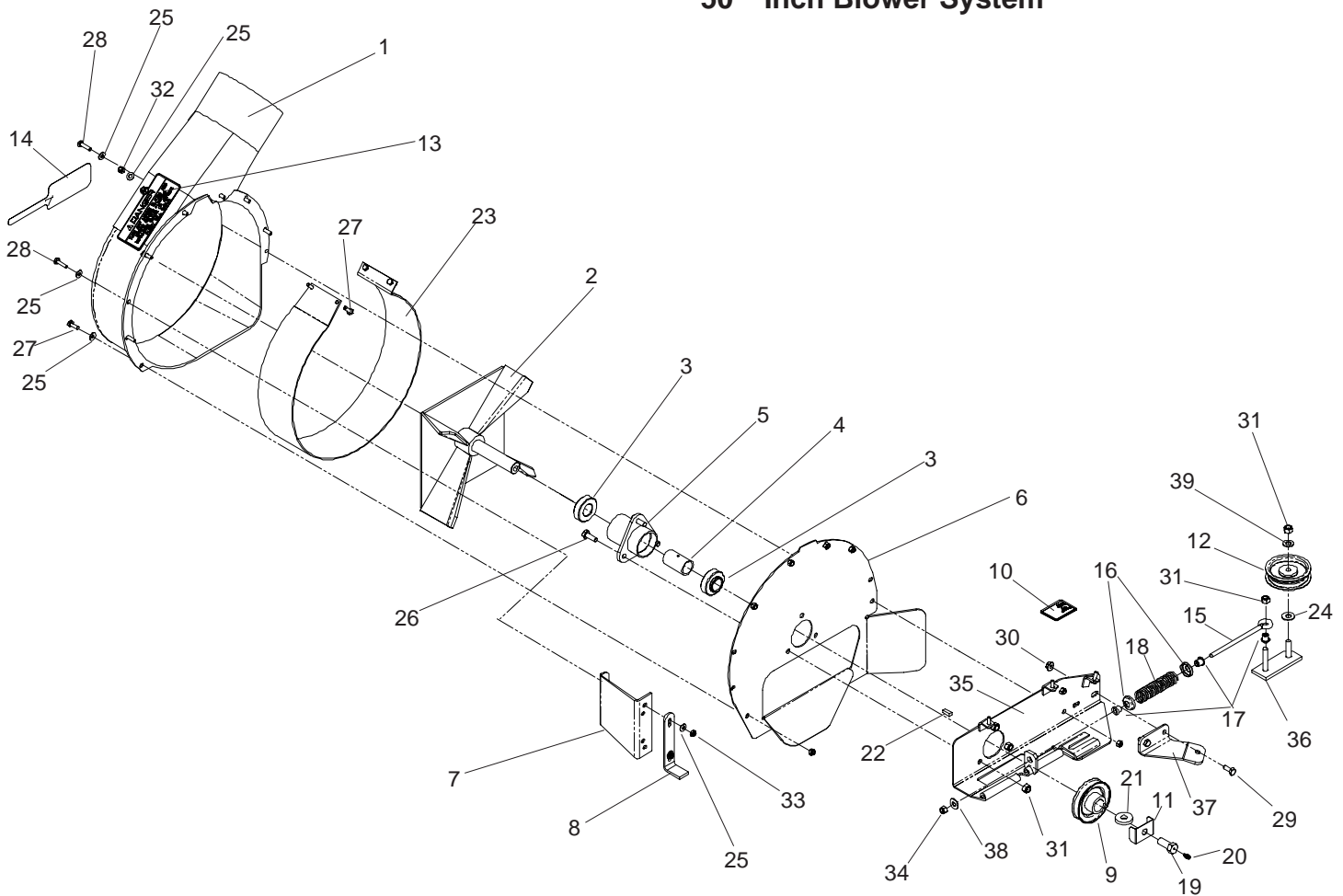
8. Install belt guard (539 117505) to blower assembly using three ¼" washers (539 990055) and three ¼" wing nuts (539 990997). See illustration.
9. Discharge tube is included with grass bagger kit.



8059-026

# PARTS LIST

## 50" Inch Blower System

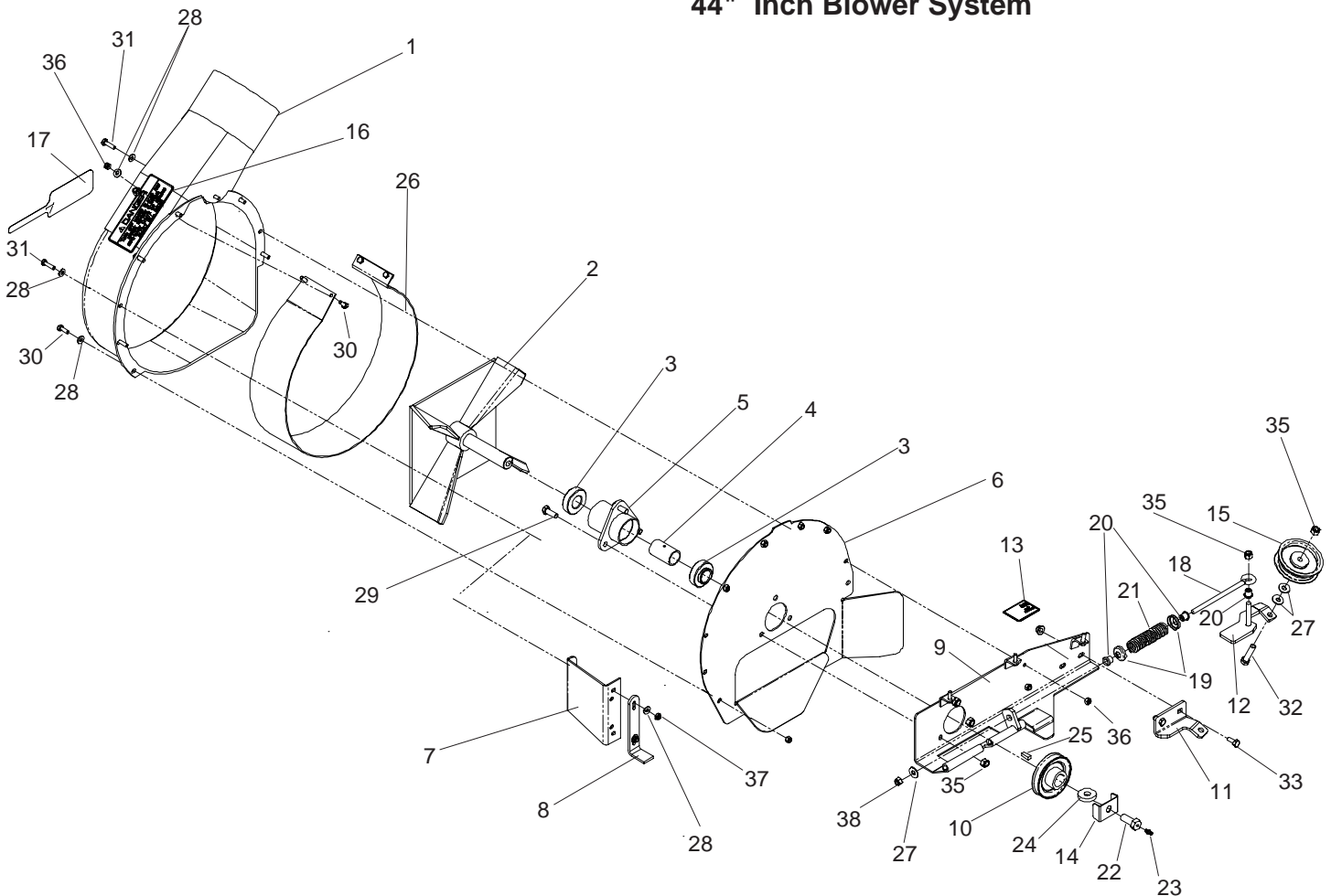


| ITEM | QTY | P/N        | DESCRIPTION             |
|------|-----|------------|-------------------------|
| 1    | 1   | 539 130709 | BLOWER HOUSING /DECAL   |
| 2    | 1   | 539 117544 | FAN/SHAFT WELDMENT      |
| 3    | 2   | 539 115279 | BEARING, ECC LOCK       |
| 4    | 1   | 539 115876 | SPACER, 1.25 OD x 2.083 |
| 5    | 1   | 539 115875 | HUB WELDMENT            |
| 6    | 1   | 539 117263 | HOUSING PLATE           |
| 7    | 1   | 539 115911 | HOUSING GUARD           |
| 8    | 1   | 539 117286 | TIP GUARD               |
| 9    | 1   | 539 115888 | PULLEY                  |
| 10   | 1   | 539 115740 | DECAL, BELT ROUTING     |
| 11   | 1   | 539 117502 | TARGET                  |
| 12   | 1   | 539 117500 | 3" IDLER                |
| 13   | 1   | 539 115401 | DECAL, WARNING          |
| 14   | 1   | 539 119902 | DECAL, LOGO             |
| 15   | 1   | 539 115575 | EYEBOLT, 5/16 x 6       |
| 16   | 2   | 539 115720 | SPRING RETAINER         |
| 17   | 3   | 539 115542 | FLIP-LOK BUSHING        |

| ITEM | QTY | P/N        | DESCRIPTION                  |
|------|-----|------------|------------------------------|
| 18   | 1   | 539 115870 | SPRING                       |
| 19   | 1   | 539 115637 | HUB BOLT, DRILLED            |
| 20   | 1   | 539 115638 | 3/16" DRIVE ZERK             |
| 21   | 1   | 539 115636 | WASHER, .525 x 1.375 x .25   |
| 22   | 1   | 539 116196 | OUTER SHAFT KEY              |
| 23   | 1   | 539 117548 | SAND LINER                   |
| 24   | 1   | 539 990517 | WASHER, 3/8 FLAT STD ZD      |
| 25   | 15  | 539 115562 | 1/4" SAE FLAT WASHER         |
| 26   | 3   | 539 990563 | HCS 3/8-16 x 1 GR 5 ZD       |
| 27   | 9   | 539 990580 | HCS 1/4-20 x 3/4 GR5 ZD      |
| 28   | 4   | 539 977761 | HCS 1/4-20 x 1 GR 5 ZD       |
| 29   | 2   | 539 976934 | HCS 5/16-18 x 3/4 GR 5 ZD    |
| 30   | 2   | 539 115674 | 5/16-18 FLANGED L-NUT        |
| 31   | 5   | 539 976979 | NUT 3/8-16 HEX NYLOC ZD      |
| 32   | 11  | 539 976978 | NUT 1/4-20 HEX NYLOC ZD      |
| 33   | 2   | 539 108120 | NUT 1/4-20 HEX THIN NYLOC ZD |
| 34   | 1   | 539 990717 | NUT 5/16-18 HEX NYLOC ZD     |
| 35   | 1   | 539 116162 | IDLER BASE WELDMENT          |
| 36   | 1   | 539 116167 | SLIDE ARM WELDMENT           |
| 37   | 1   | 539 116165 | IDLER MOUNT BRACKET          |
| 38   | 1   | 539 990692 | WASHER, 5/16 STD FLT ZD      |
| 39   | 1   | 539 990122 | WASHER, 3/8 SAE FLT ZD       |

# PARTS LIST

## 44" Inch Blower System



| ITEM | QTY | P/N        | DESCRIPTION             |
|------|-----|------------|-------------------------|
| 1    | 1   | 539 130709 | BLOWER HOUSING W/DECAL  |
| 2    | 1   | 539 117544 | FAN/SHAFT WELDMENT      |
| 3    | 2   | 539 115279 | BEARING, ECC LOCK       |
| 4    | 1   | 539 115876 | SPACER, 1.25 OD x 2.083 |
| 5    | 1   | 539 115875 | HUB WELDMENT, MACHINED  |
| 6    | 1   | 539 117263 | HOUSING PLATE           |
| 7    | 1   | 539 115911 | HOUSING GUARD           |
| 8    | 1   | 539 117286 | TIP GUARD               |
| 9    | 1   | 539 121443 | IDLER BASE WELDMENT     |
| 10   | 1   | 539 115888 | PULLEY - 3.5            |
| 11   | 1   | 539 121448 | PULLEY BRKT             |
| 12   | 1   | 539 121447 | PULLEY SLIDE WELDMENT   |
| 13   | 1   | 539 115740 | DECAL, BELT ROUTING     |
| 14   | 1   | 539 117502 | TARGET                  |
| 15   | 1   | 539 117500 | 3" METAL IDLER          |
| 16   | 1   | 539 115401 | G.C.WARNING DECAL       |
| 17   | 1   | 539 119902 | DECAL, NEW LOGO         |

| ITEM | QTY | P/N        | DESCRIPTION                  |
|------|-----|------------|------------------------------|
| 18   | 1   | 539 115575 | EYEBOLT, 5/16 x 6            |
| 19   | 2   | 539 115720 | SPRING RETAINER              |
| 20   | 3   | 539 115542 | FLIP-LOK BUSHING             |
| 21   | 1   | 539 115870 | SPRING 1" OD - 5.0           |
| 22   | 1   | 539 115637 | HUB BOLT, DRILLED            |
| 23   | 1   | 539 115638 | 3/16" DRIVE ZERK             |
| 24   | 1   | 539 115636 | WASHER, .525 X 1.375 X .25   |
| 25   | 1   | 539 116196 | OUTER SHAFT KEY              |
| 26   | 1   | 539 117548 | SAND LINER                   |
| 27   | 3   | 539 990692 | WASHER, 5/16 STD FLT ZD      |
| 28   | 15  | 539 115562 | 1/4" SAE FLAT WASHER         |
| 29   | 3   | 539 990563 | HCS 3/8-16 X 1 GR 5 ZD       |
| 30   | 9   | 539 990580 | HCS 1/4-20 X 3/4 GR5 ZD      |
| 31   | 4   | 539 977761 | HCS 1/4-20 X 1 GR 5 ZD       |
| 32   | 1   | 539 990730 | HCS 3/8-16 X 1-3/4 GR 5 ZD   |
| 33   | 2   | 539 976934 | HCS 5/16-18 X 3/4 GR 5 ZD    |
| 34   | 2   | 539 115674 | 5/16-18 FLANGED L-NUT        |
| 35   | 5   | 539 976979 | NUT 3/8-16 HEX NYLOC ZD      |
| 36   | 11  | 539 976978 | NUT 1/4-20 HEX NYLOC ZD      |
| 37   | 2   | 539 108120 | NUT 1/4-20 HEX THIN NYLOC ZD |
| 38   | 1   | 539 990717 | NUT 5/16-18 HEX NYLOC ZD     |



