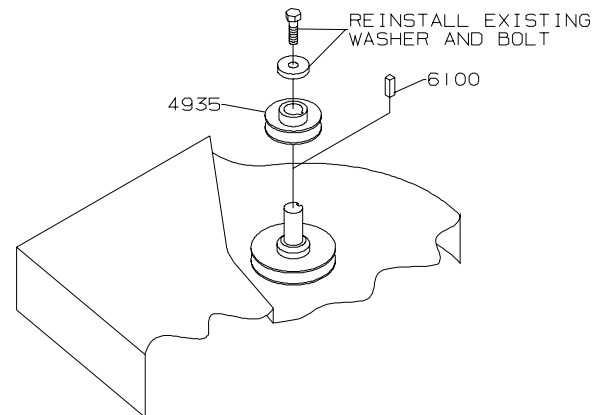


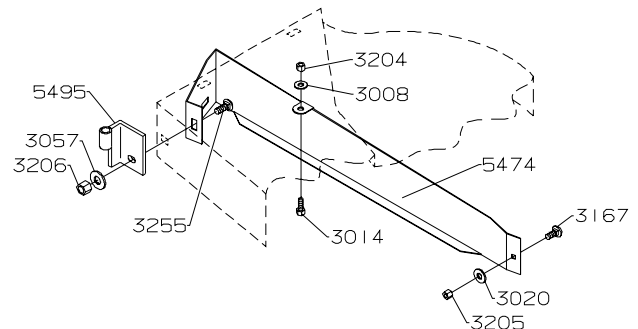
ASSEMBLY INSTRUCTIONS

36" BLOWER for SPEEDZTR P/N 539123044

- 1) Loosen bolts attaching deflector hinge to mower deck. Remove the deflector/hinge assembly from the deck. European models must also remove secondary deflector from discharge opening, if applicable.
- 2) Remove deck from chassis. Refer to Operator's Manual, if necessary.
- 3) Remove bolt from top of right hub assembly. Remove washer, spacer and key from shaft. Install new key (6100) and blower drive pulley (4935) as illustrated, making certain raised hub portion of the blower pulley is on the top. Reinstall existing washer and bolt to top of assembly and tighten.

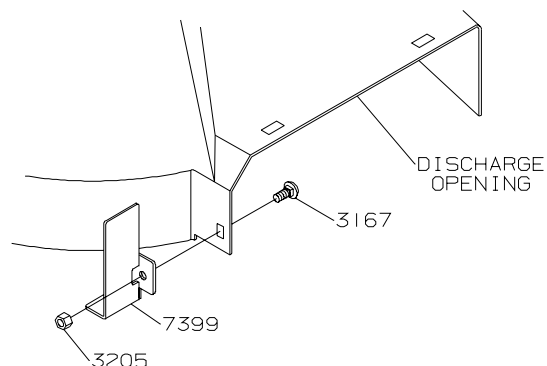


- 4) Some European models may have a spare set of blades included with the grass blower kit for installation if operator deems necessary. An individual's preference for either HiLift or LoLift blades may vary, depending on mowing conditions and on the type and heaviness of grass to be bagged. Tighten blade attaching hardware to 60-70 ft./lbs.



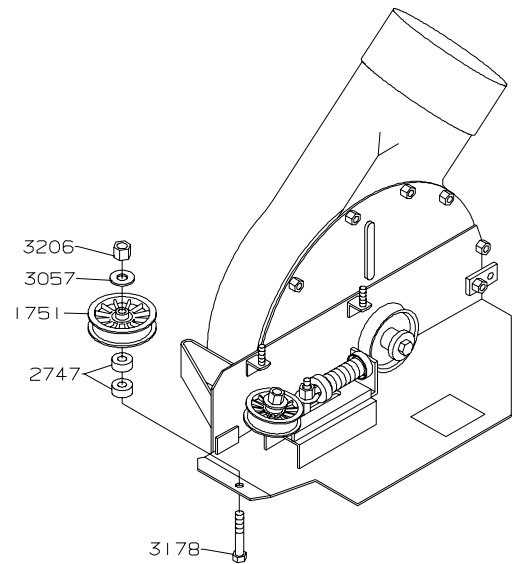
- 5) Install deck mount weldment (5495) and front baffle (5474) as illustrated at right. Use 3/8-16 x 1" carriage bolt (3255), 3/8 washer (3057), and 3/8-16 nylok nut (3206) to attach baffle and deck mount weldment. For hole in opposite end of baffle, use 5/16-18 x 3/4" carriage bolt (3167), 5/16 washer (3020), and 5/16-18 nylok nut (3205). Insert 1/4-20 x 3/4" bolt (3014) through tab in center of baffle and through mower deck. Attach 1/4 washer (3008) and 1/4-20 nylok nut (3204). Do not tighten hardware at this time.

- 6) Install blower stop (7399) to rear of discharge opening, as illustrated at right. Use 5/16-18 x 3/4" carriage bolt (3167) and 5/16-18 nylok nut (3205). Tighten this hardware.

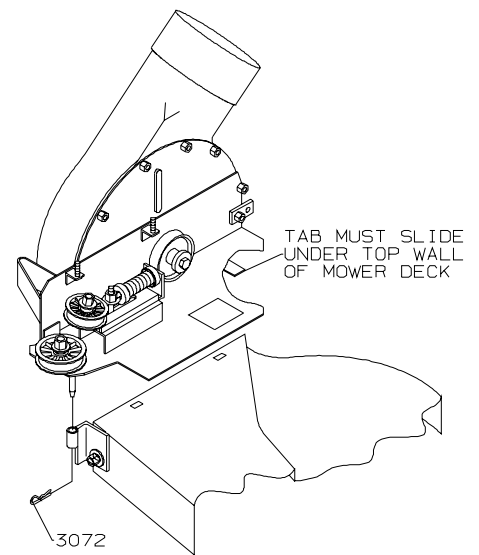


- 7) Reinstall deck to mower chassis. Refer to Operator's Manual, if necessary.

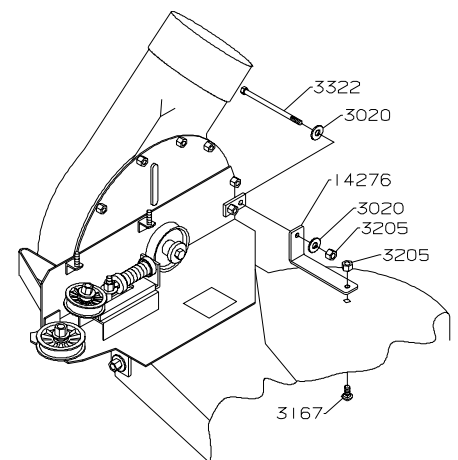
- 8) Install flat idler pulley (1751) to idler base weldment as illustrated. Use 3/8-16 x 2-1/2" bolt (3178), two spacers (2747), 3/8 washer (3057), and 3/8-16 nylok nut (3206), making certain raised portion of pulley hub is at the top.



- 9) Install blower housing assembly to deck by inserting long pin at front of assembly through tube on deck mount weldment. Attach with cotter pin (3072). Swing housing assembly around to rest snugly against rear of discharge chute. Make certain tab shown in illustration slides under horizontal wall of mower deck.



- 10) Attach bracket (14276) to mower deck, as illustrated, using 5/16-18 x 3/4" carriage bolt (3167) and 5/16-18 nylok nut (3205). Install 5/16-18 x 5-1/2" bolt (3322) and 5/16 washer (3020) through tab bolted to blower housing. Attach bolt to newly-installed bracket with 5/16 washer (3020) and 5/16-18 nylok nut (3205).



- 11) Tighten all hardware.

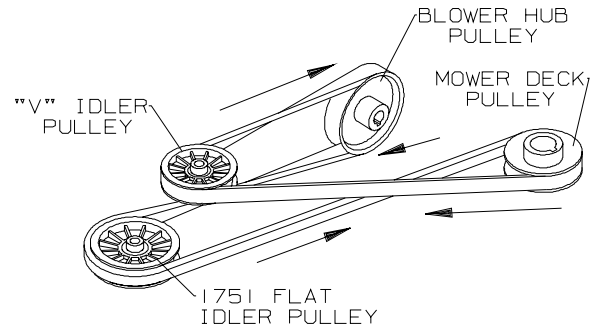
12) Install V-belt (7869) as illustrated. For easiest installation, belt should be placed around flat idler pulley (1751) after being installed around other three pulleys. V-belt should align in the center of flat idler pulley.

13) If adjustment is needed to properly align the V-belt (7869) in the flat idler pulley (1751), the following procedure may be used.

A) Tightening the top nut on flat idler pulley (1751) will raise belt on the pulley surface. Loosening nut will lower belt on pulley surface. Begin with 1/4 turn adjustment.

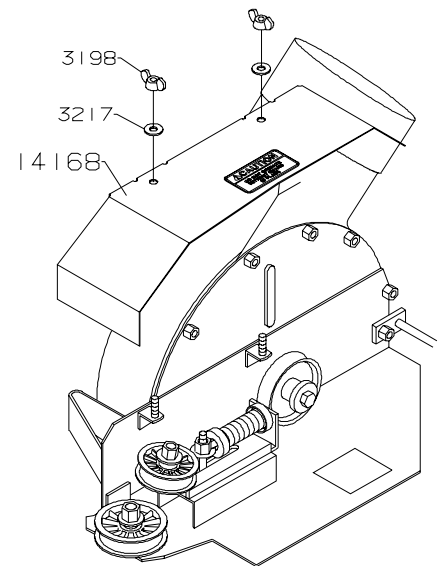
B) To observe the result of adjustment, have an assistant sit on the mower in normal operator's position, engage parking brake, start engine, move throttle control to it's highest setting, and engage mower deck blades.

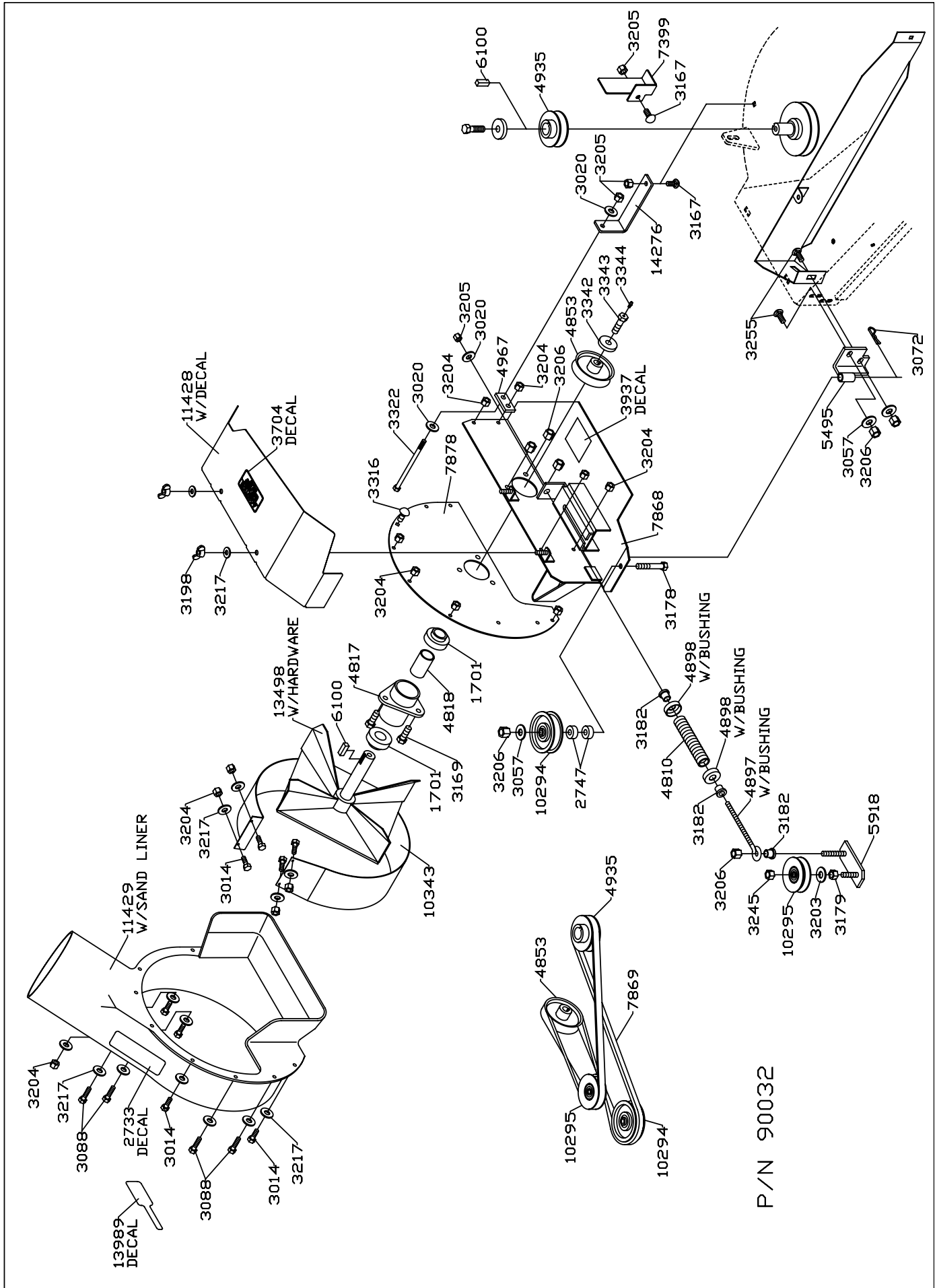
C) If the belt continues to run incorrectly in the pulley, disengage blades, stop engine, and repeat steps A) and B).



14) Position mower deck in low cut position and install belt guard (14168) to blower housing assembly, as illustrated. Use two 1/4 washers (3217) and two 1/4-20 wing nuts (3198).

15) Discharge tube is included with Grass Bagger Kit. The tube will slip-fit on the blower assembly and into the boot of the grass catcher top.





P/N 90032