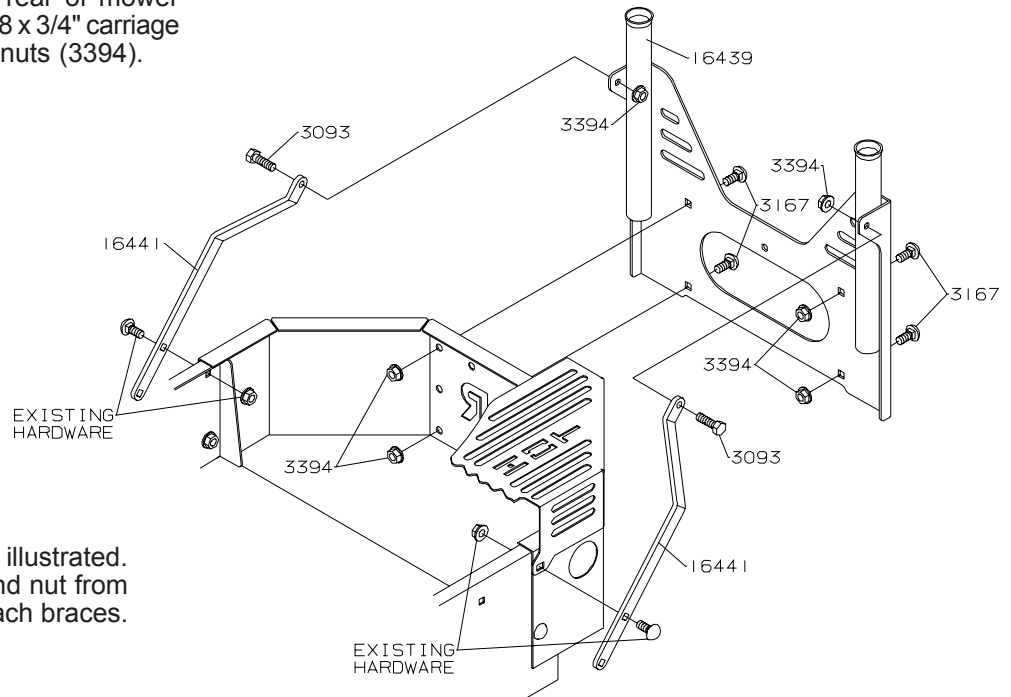


INSTALLATION INSTRUCTIONS

GRASS CATCHER for 42" SPEEDZTR - P/N 539115156

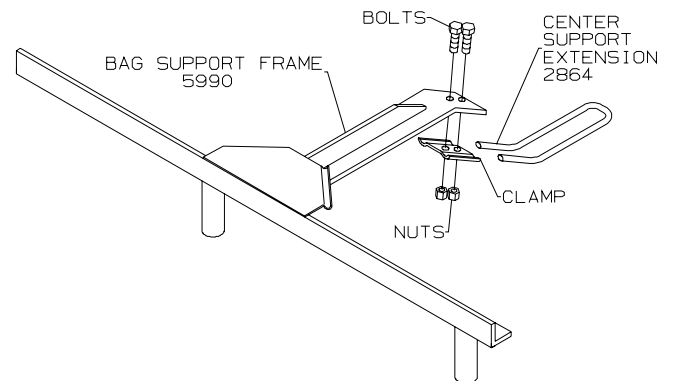
- 1) Install bagger support (16439) to rear of mower frame, as illustrated. Use four 5/16-18 x 3/4" carriage bolts (3167) and four 5/16 flanged nuts (3394).

- 2) Attach one brace (16441) to tab on outside of each bagger support tube, as illustrated. Use a 5/16-18 x 1" bolt (3093) and 5/16 flanged nut (3394) for each brace. Do not tighten.

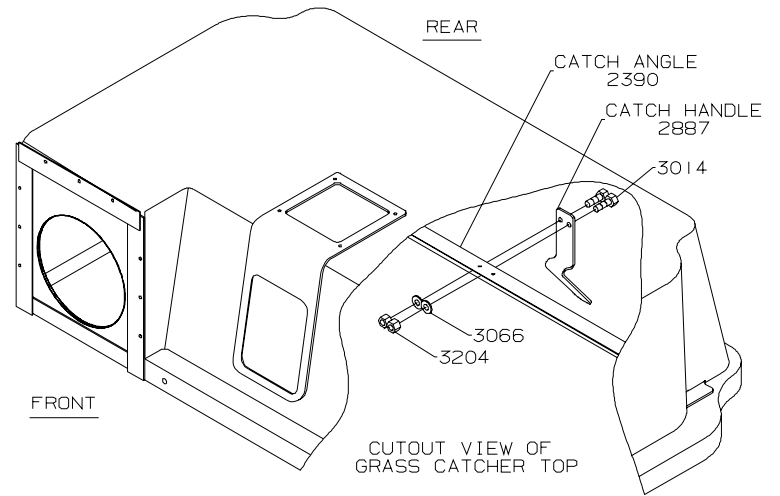


- 3) Attach braces to mower frame, as illustrated. You will have to remove the bolt and nut from these holes and re-use them to attach braces. Tighten all hardware.

- 4) Attach center support extension (2864) to bag support frame (5990). Use the clamp and hardware which is installed at the rear of the bag support frame. The extension will point straight to the rear.

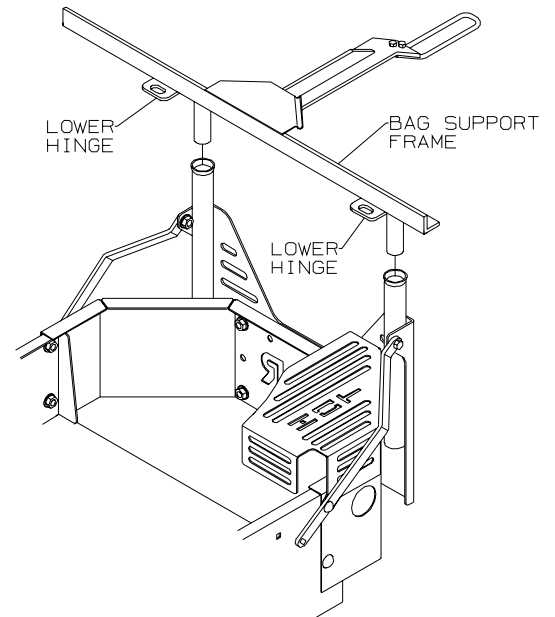


- 5) Attach catch handle (2887) to catch angle weldment (2390) located at rear of grass catcher top. Use 1/4-20 x 3/4" bolts (3014), 1/4" washers (3066), and 1/4-20 nylok nuts (3204). Catch handle will point down and to the rear. Do not tighten.



- 6) Install bag support frame to uprights.

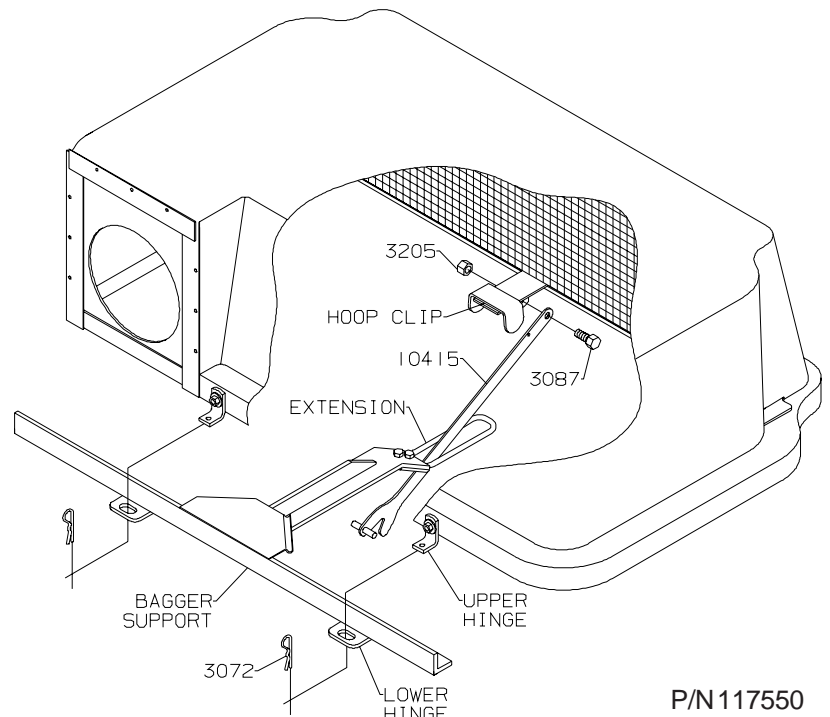
- 7) Rotate lower hinges to the front, as illustrated. Center each lower hinge in its mounting slot and tighten hardware attaching it to bag support frame.



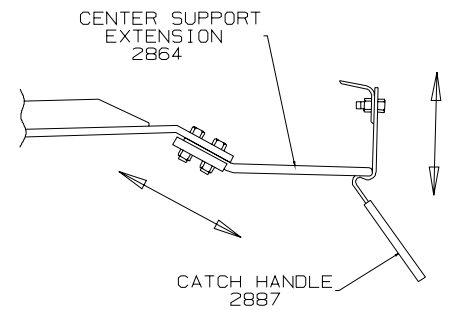
- 8) Install catcher top to bag support frame by sliding upper hinges into lower hinges. Secure with cotter pins (3072). Hardware attaching upper hinges to grass catcher top should be left loose at this time.

- 9) Install Prop Rod (10415) up through the bottom of the extension. Attach to tab on the bottom of the hoop clip. Use 5/16-18 x 3/4" bolt (3087) and 5/16 nylok nut (3205). Refer to illustration. Prop Rod needs to pivot freely on this bolt, so do not tighten completely. Prop Rod will hang down through the extension and can hook over the rear of the extension when the catcher top is raised.

- 10) Install grass bags in catcher. Slide upper hinges to the highest possible position and tighten hardware attaching them to the grass catcher top. Note: Upper hinge must be placed in the highest possible position to allow grass catcher lid to open fully.



11) To adjust the grass catcher top latch, both grass catcher bags must be in place on bag frame. With grass catcher top closed, slide the center support extension (2864) horizontally until it contacts the catch handle (2887). Adjust the catch handle vertically until it contacts the center support extension. This adjustment should allow the top to close with ease and fit tightly when closed. Minor adjustments may be required to achieve proper fit. Tighten all grass catcher hardware.

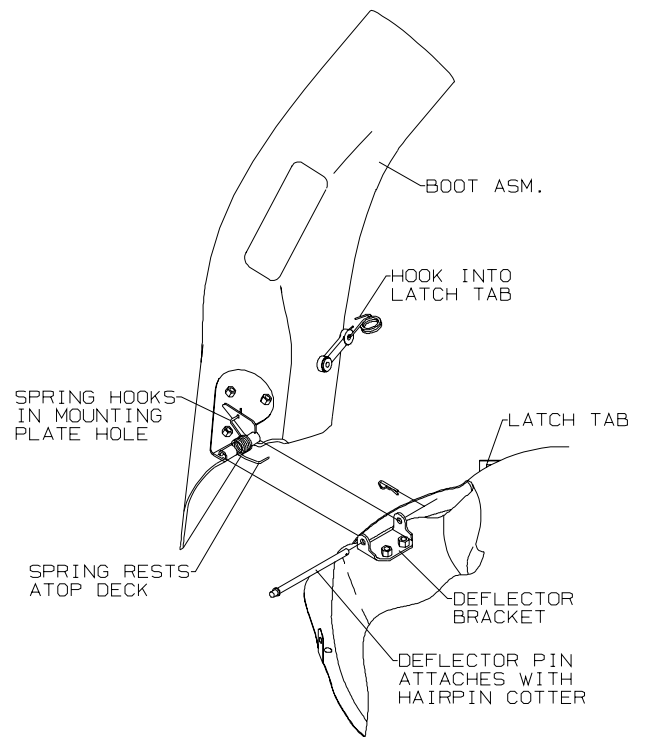


12) Install high lift blades (10953) to mower deck. Individual preferences may vary, depending on mowing conditions and on the type and heaviness of grass to be bagged.

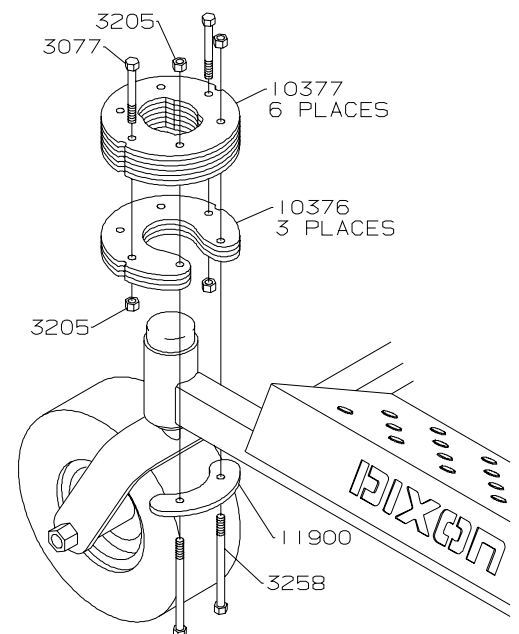
13) Remove deflector from mower deck by pulling hairpin cotter and deflector pin. Deflector spring will be loose, and a different spring will be installed with grass catcher.

14) Install grass catcher boot to deflector bracket on deck using existing deflector pin and hairpin cotter. One end of new grass catcher spring hooks in mounting plate hole. Other end of spring rests atop deck. Hook the Latch into the tab behind discharge opening. Refer to illustration.

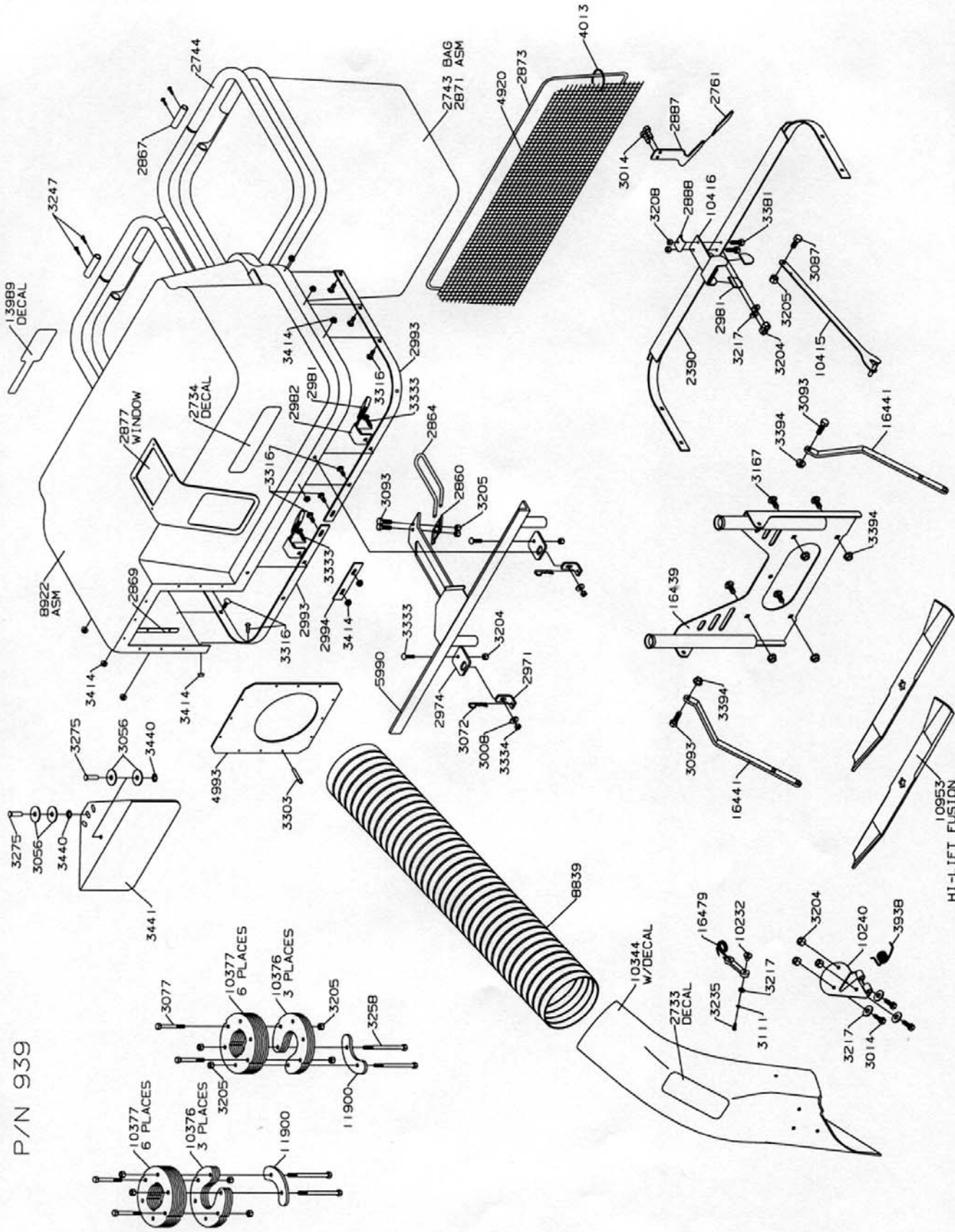
15) Install one end of flex tube on grass catcher boot and other end in the grass catcher top. Determine what length, if any, should be cut off the flex tube for desired performance in filling bags. Pay special attention to the adjustable baffle in the grass catcher top. If necessary, use a utility knife to cut the fabric and diagonal cutters to cut the reinforcing wire. Be careful not to cut off too much.



16) Assemble three horseshoe-shaped weights (10376) to six full-size weights (10377), as illustrated. Use two 5/16-18 x 2-3/4" bolts (3077) and two 5/16" nylok nuts (3205). Place assembly over caster tube. Secure to caster cross tube with clamp (11900). Use two 5/16-18 x 4-1/2" bolts (3258) and two 5/16" nylok nuts (3205). These bolts must be run from the bottom up, or interference may occur with caster. Repeat for other side.



P/N 939



42" GRASS CATCHER for SPEEDZTR