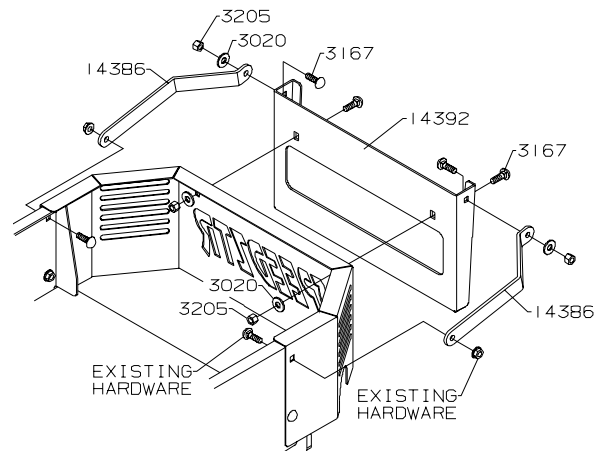


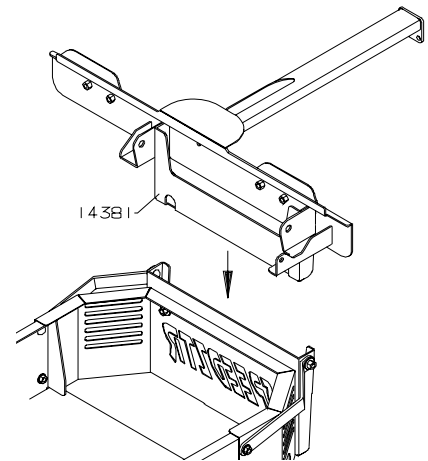
INSTALLATION INSTRUCTIONS

30" GRASS CATCHER for SPEEDZTR - P/N 539123118

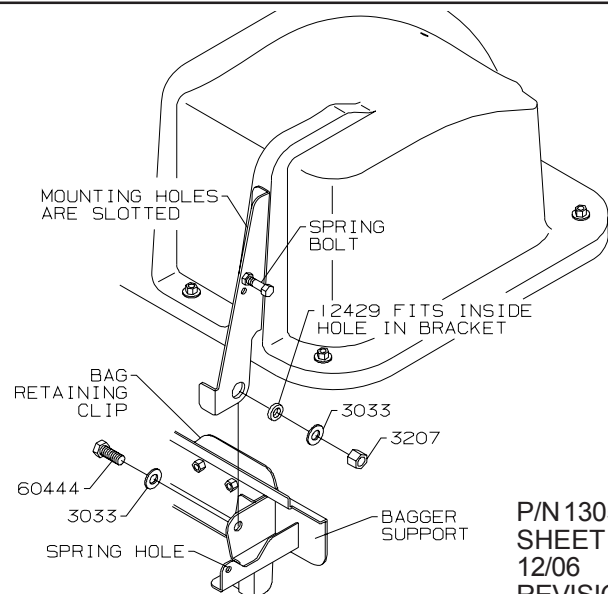
- 1) To prevent damage to grass bags, remove hitch from rear of chassis. Instead of removing the hitch, you may prefer to mount it on backward (pointing to the front). If mower has just been uncrated, the hitch should already be mounted on backward.
- 2) Attach bagger mount plate (14392) to rear of engine guard. Use two 5/16-18 x 3/4" carriage bolts (3167), two 5/16" washers (3020) and two 5/16" nylok nuts (3205). Refer to illustration.
- 3) Attach a bagger brace (14386) to side hole in bagger mount plate. Use 5/16-18 x 3/4" carriage bolt (3167), 5/16" washer (3020) and 5/16" nylok nut (3205). Attach other end of bagger brace to top front hole in engine guard, using existing frame hardware. Refer to illustration. Repeat for other side of machine.



- 4) Slide bagger support (14381) down into bagger mount plate.

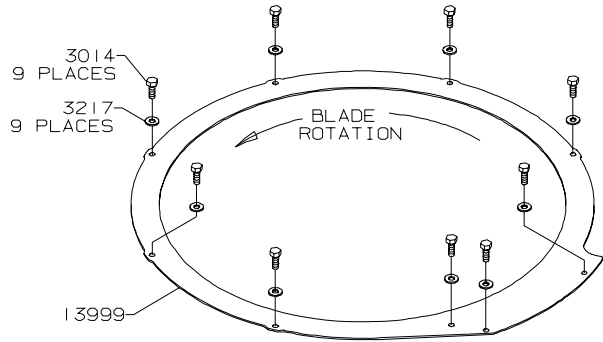


- 5) Install catcher top to left side of bagger support, as illustrated. Use a 1/2-13 x 1-1/4" bolt (60444), two 1/2" washers (3033), a spacer (12429) and a 1/2" nylok nut (3207). The spacer fits inside hole in bracket. Repeat for other side. Catcher top pivots on these bolts.
- 6) Install a tension spring (14526) to left side of the assembly. Refer to illustration for location of spring bolt and spring hole to attach spring. This spring will raise the catcher top when the latch is released, making it easier to empty the bags.
- 7) Install grass bags in catcher. The cutout portion at the top of the bags goes toward the front of the machine. The illustrated bag retaining clip slides between the fabric and the tube.
- 8) Close catcher top. Adjust the rear latch to the desired location and tighten hardware.



9) Remove deck from machine. Refer to Operator's Manual, if necessary.

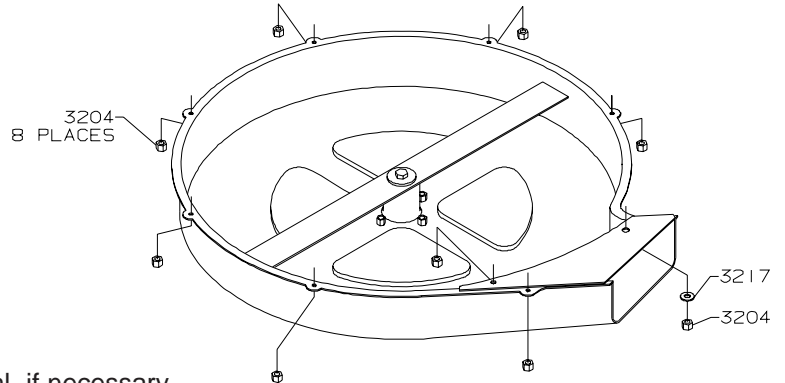
10) Install high lift adapters to existing high lift mower blade. This combination will provide the highest lift possible. Individual preferences may vary, depending on mowing conditions and on the type and heaviness of grass to be bagged. If desired, high lift adapters may be removed, though high lift blades must remain in the deck when using a grass catcher.



11) Position Booster Ring on the bottom of the deck.

12) Attach Booster Ring to deck by installing nine 1/4" bolts (3014) and washers (3217) to outside of ring. Refer to illustration.

13) Secure Booster ring to deck by attaching eight 1/4" nuts (3204). Secure bolt at rear of discharge opening by using a 1/4" washer (3217) along with a nut. Refer to illustration.



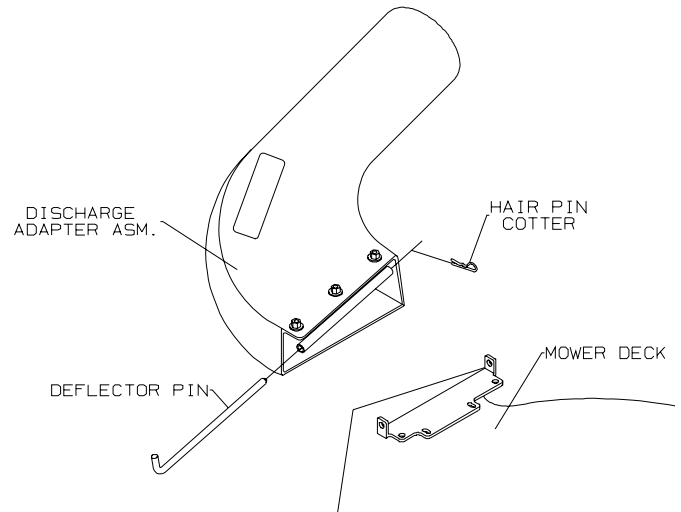
14) Spin mower blade several times to check for sufficient clearance. CONTACT WITH BLADE WILL DAMAGE BOOSTER RING AND MAY RESULT IN SERIOUS INJURY.

15) Reinstall deck to machine. Refer to Operator's Manual, if necessary.

16) Remove grass deflector from mower deck by pulling hairpin cotter and deflector pin.

17) Position discharge adapter assembly on deck. Attach to deck using deflector pin and hairpin cotter removed from the deflector.

18) Install one end of flex tube on discharge adapter assembly and other end in the grass catcher top. Determine what length, if any, should be cut off the flex tube for desired performance in filling bags. If necessary, use a utility knife to cut the plastic and diagonal cutters to cut the reinforcing wire. **Be careful not to cut off too much. Dixon recommends leaving a minimum of 4" of flex tube inside the catcher top adapter when the top is closed. Leaving the tube too long will hinder the distribution of grass into the bags and make it difficult to raise the catcher top.**



If the catcher top can't be raised and lowered easily, you may need to trim more material off the end of the flex tube.

If catcher does not have adequate side-to-side clearance around the bags, remove the tension spring and the hardware from Step #5. Loosen the hardware attaching the brackets to the plastic catcher top. These mounting holes are slotted and will allow you to adjust the location of the brackets slightly. Tighten hardware.

19) Center the weight box on front face of foot plate, as illustrated. Bottom of weight box should be braced by the frame crosstube. Use the holes in weight box as a template to mark and drill four 11/32" diameter holes in foot plate.

20) Attach weight box to foot plate. Use four 5/16-18 x 3/4" carriage bolts (3167) and four 5/16" nylok nuts (3205).

21) Install weight in weight box.

