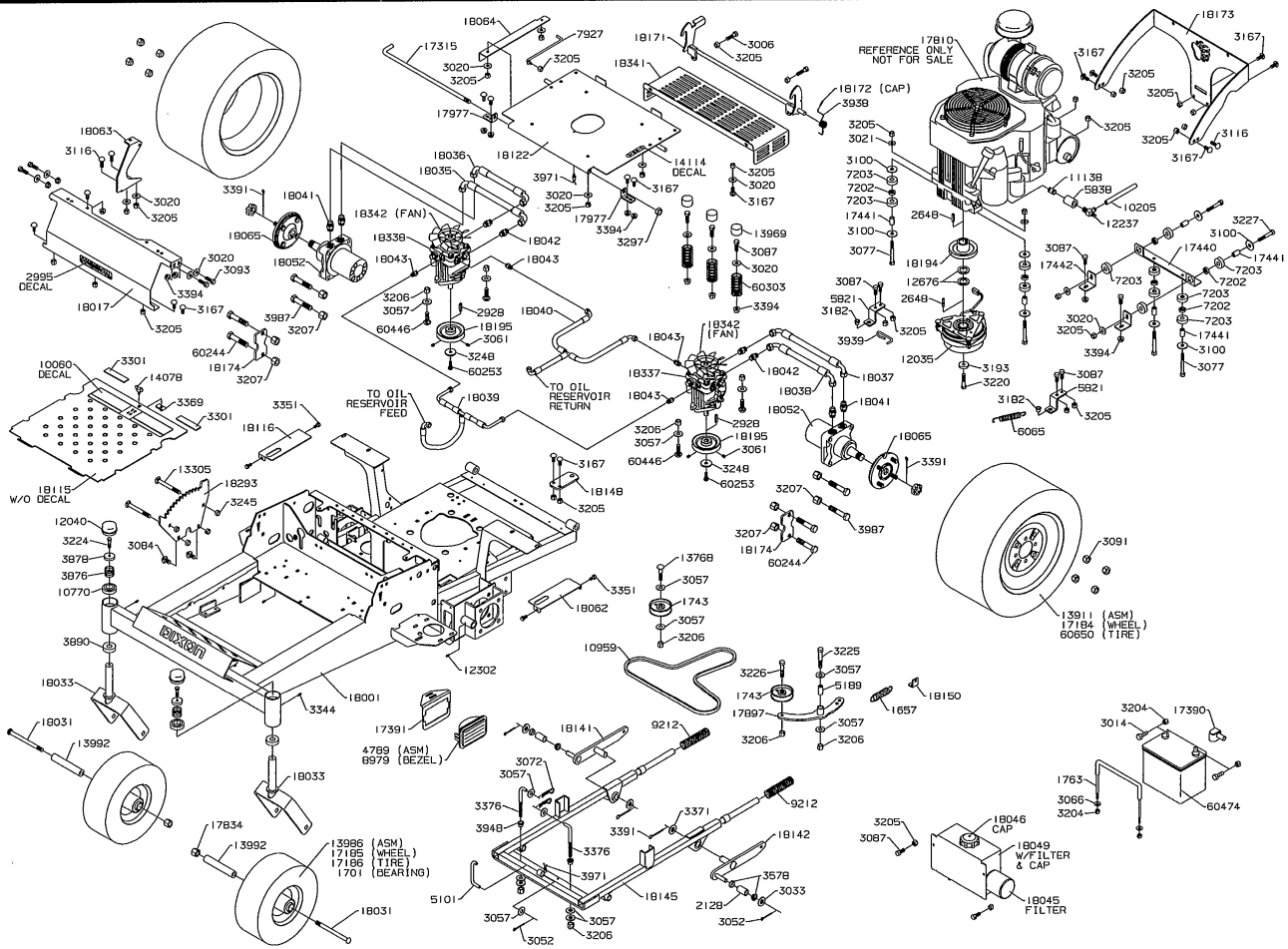


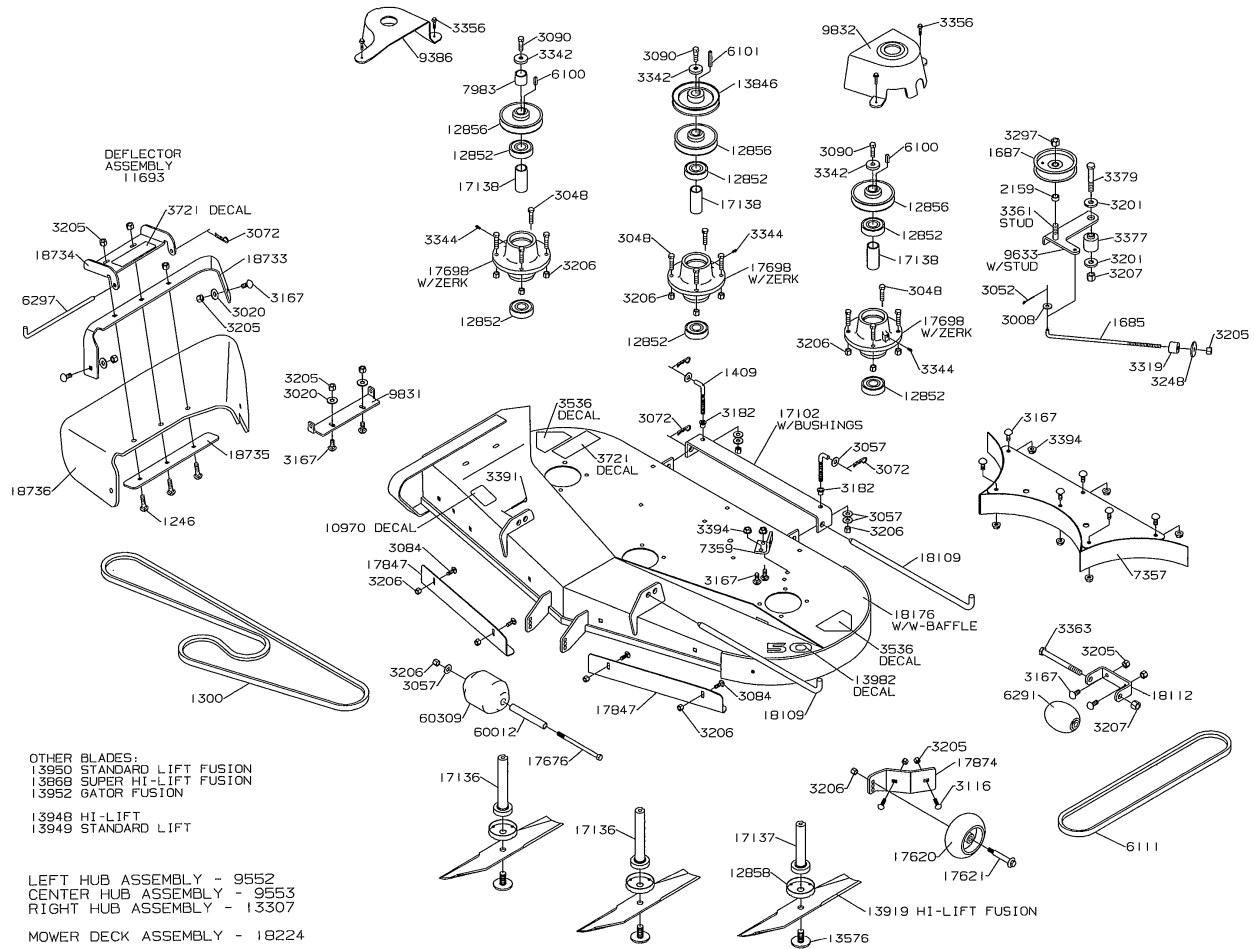
2006 PRODUCTION

KODIAK CHASSIS

2006 PRODUCTION

MOUNTAIN KODIAK CHASSIS



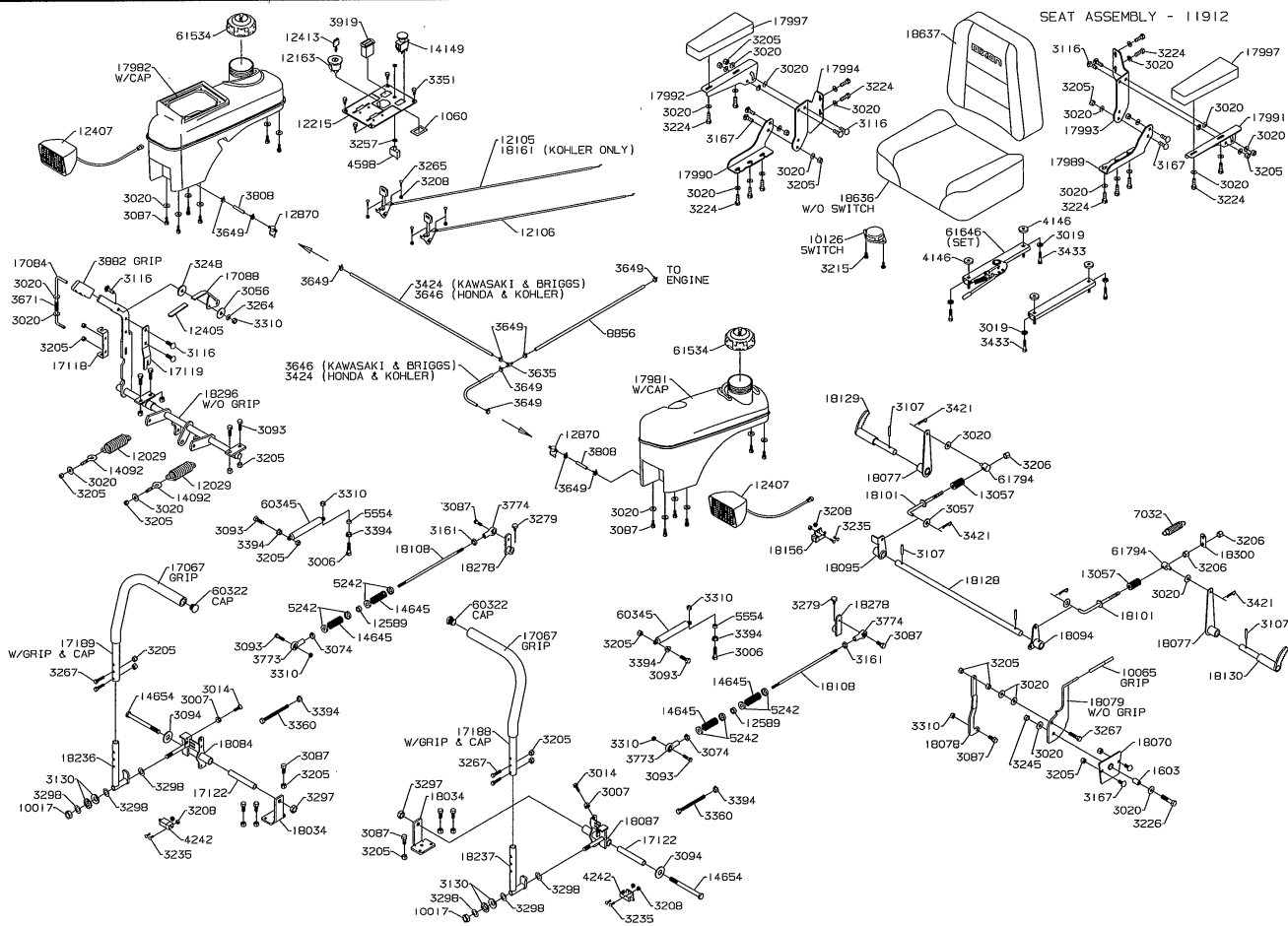


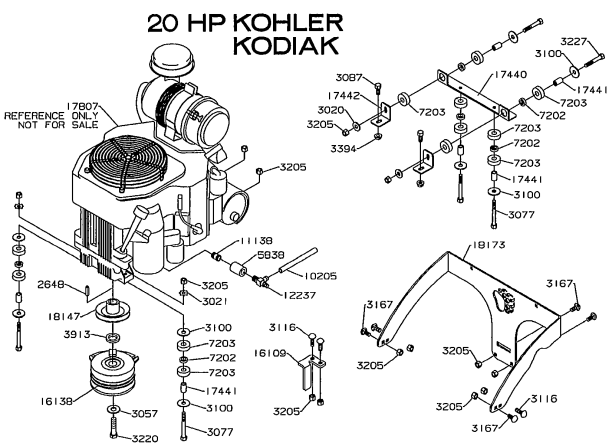
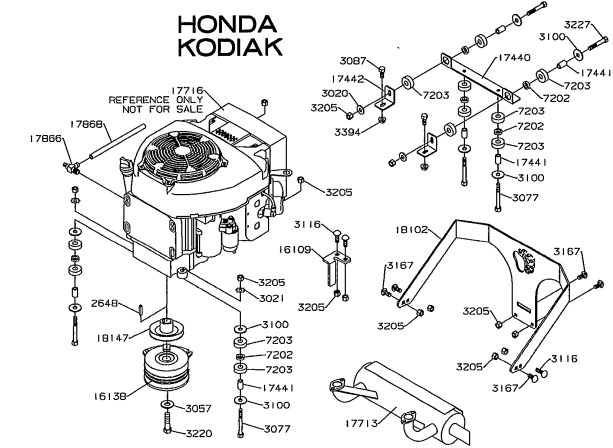
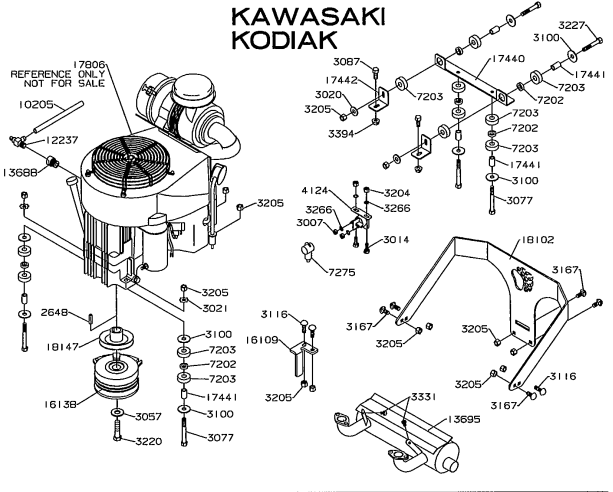
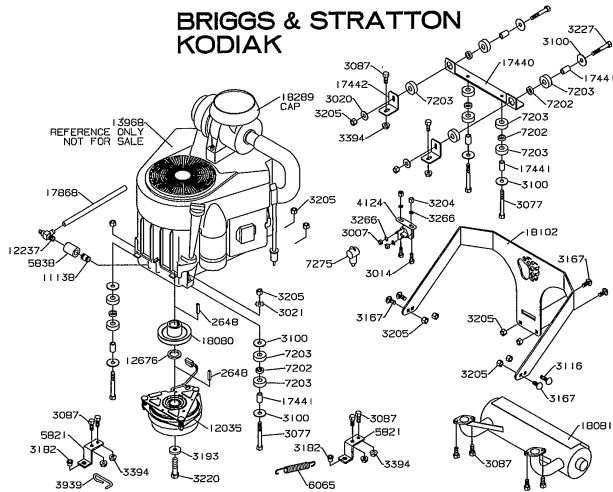
2006 PRODUCTION

KODIAK / MOUNTAIN KODIAK 50" MOWER DECK

2006 PRODUCTION

KODIAK / MOUNTAIN KODIAK CONTROLS, TANKS & SEAT



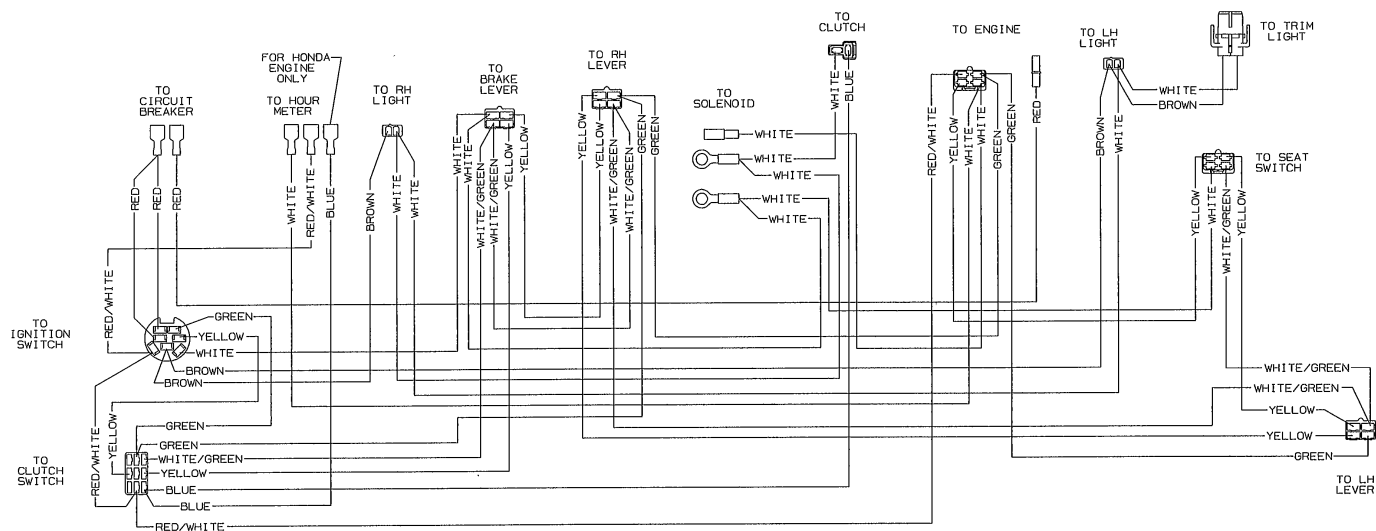


2006 PRODUCTION

KODIAK ENGINE RELATED PARTS

## 2006 PRODUCTION

## KODIAK / MOUNTAIN KODIAK WIRING



KODIAK WIRE LOOM - 18146  
 ENGINE GROUND CABLE - 4216  
 BATTERY GROUND CABLE - 10187  
 SEAT SWITCH ADAPTER - 18804  
 (NOT USED ON MOUNTAIN KODIAK)

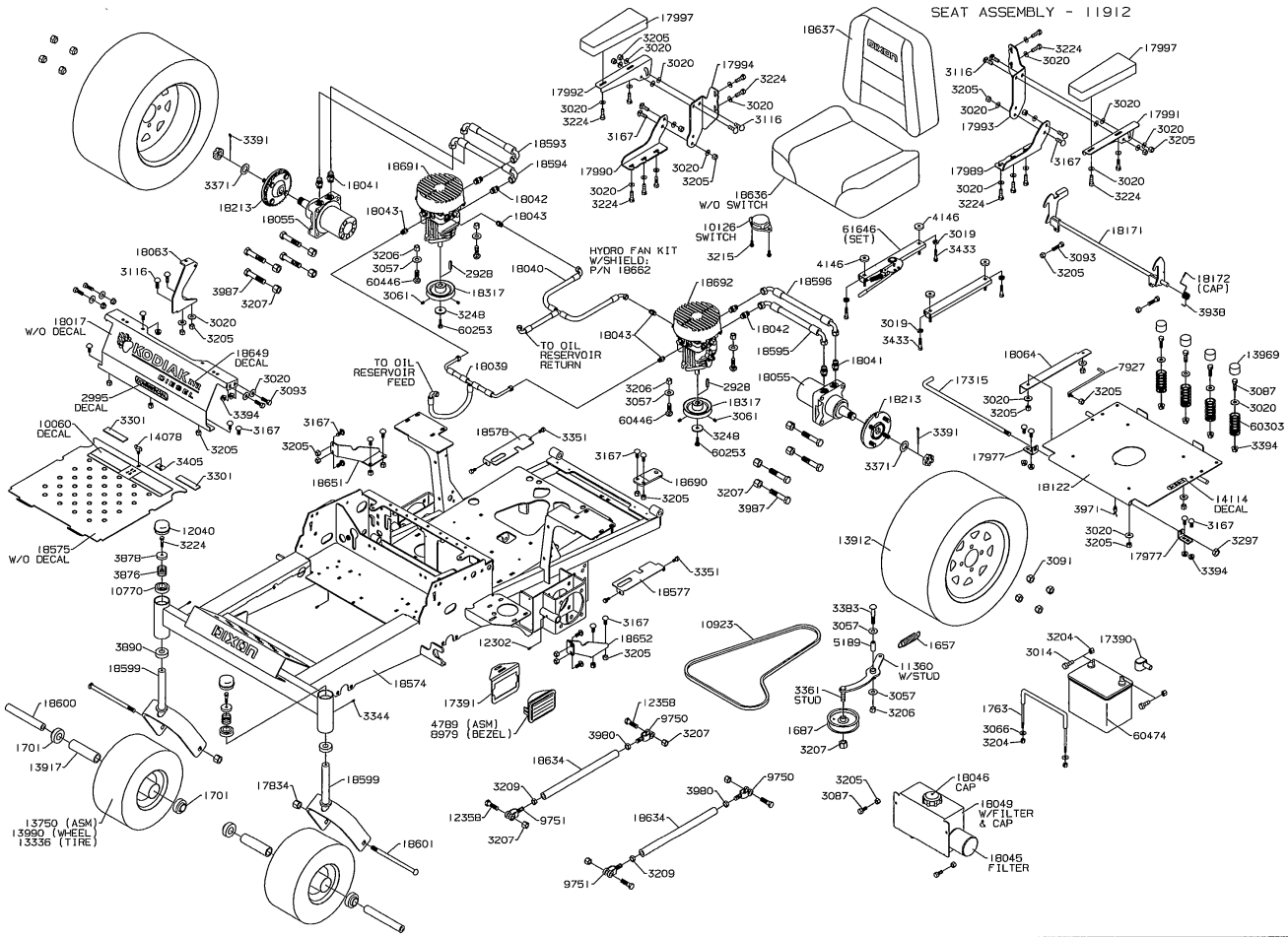
CLUTCH GROUND CABLE  
 KAWASAKI, KOHLER & HONDA - 4216

BATTERY CABLE  
 BRIGGS & KAWASAKI - 16170  
 KOHLER & HONDA - 2110

SOLENOID TO STARTER CABLE  
 BRIGGS & KAWASAKI - 17682

OIL PRESSURE SWITCH WIRE  
 BRIGGS & KAWASAKI - 18163  
 HONDA - 18175

KOHLER ADAPTER - 18157  
 HONDA ADAPTER - 18158  
 KAWASAKI ADAPTER - 18159  
 BRIGGS ADAPTER - 18160  
 CHARGE-N-HOLD WIRE HARNESS - 78012

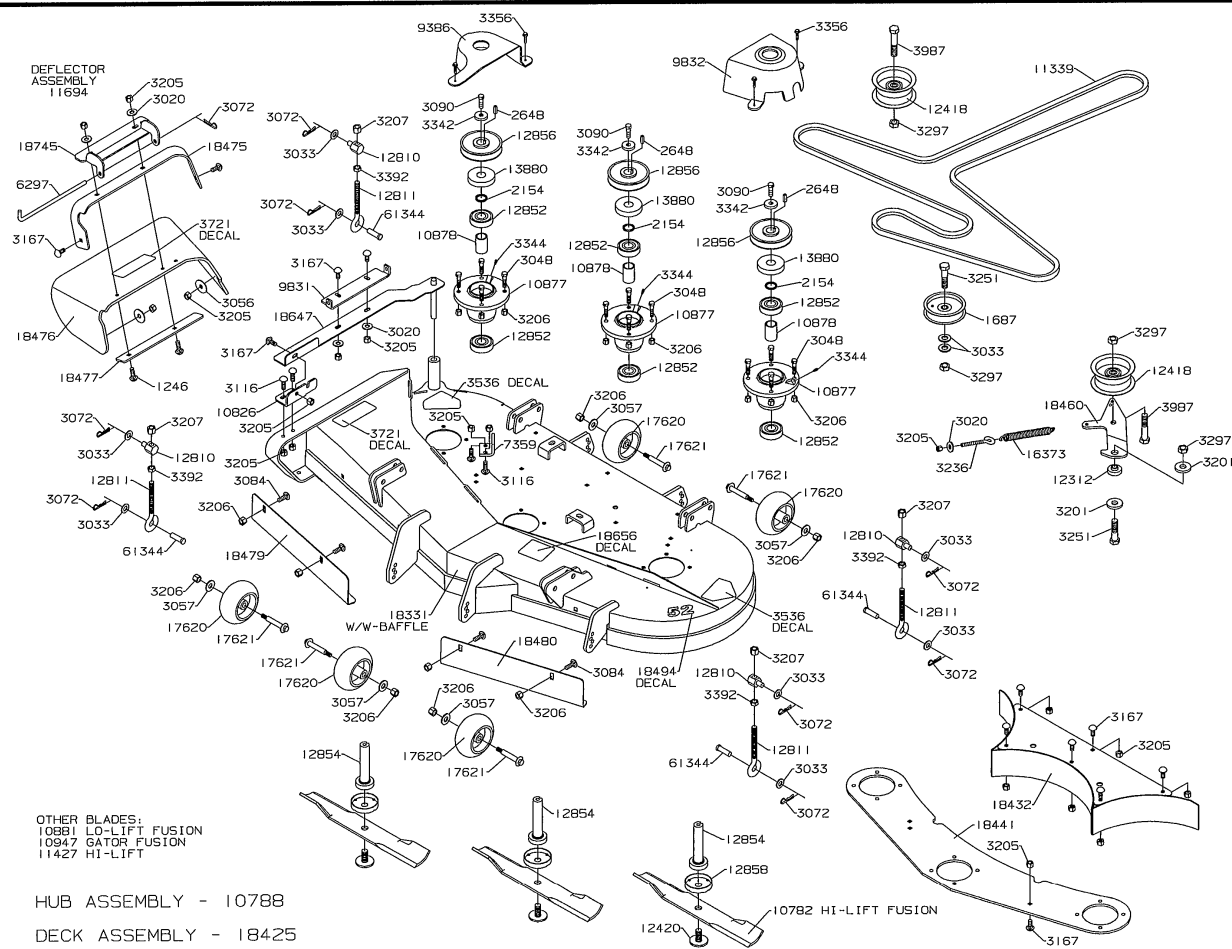


2006 PRODUCTION

KODIAK DIESEL CHASSIS

2006 PRODUCTION

KODIAK DIESEL 52" MOWER DECK



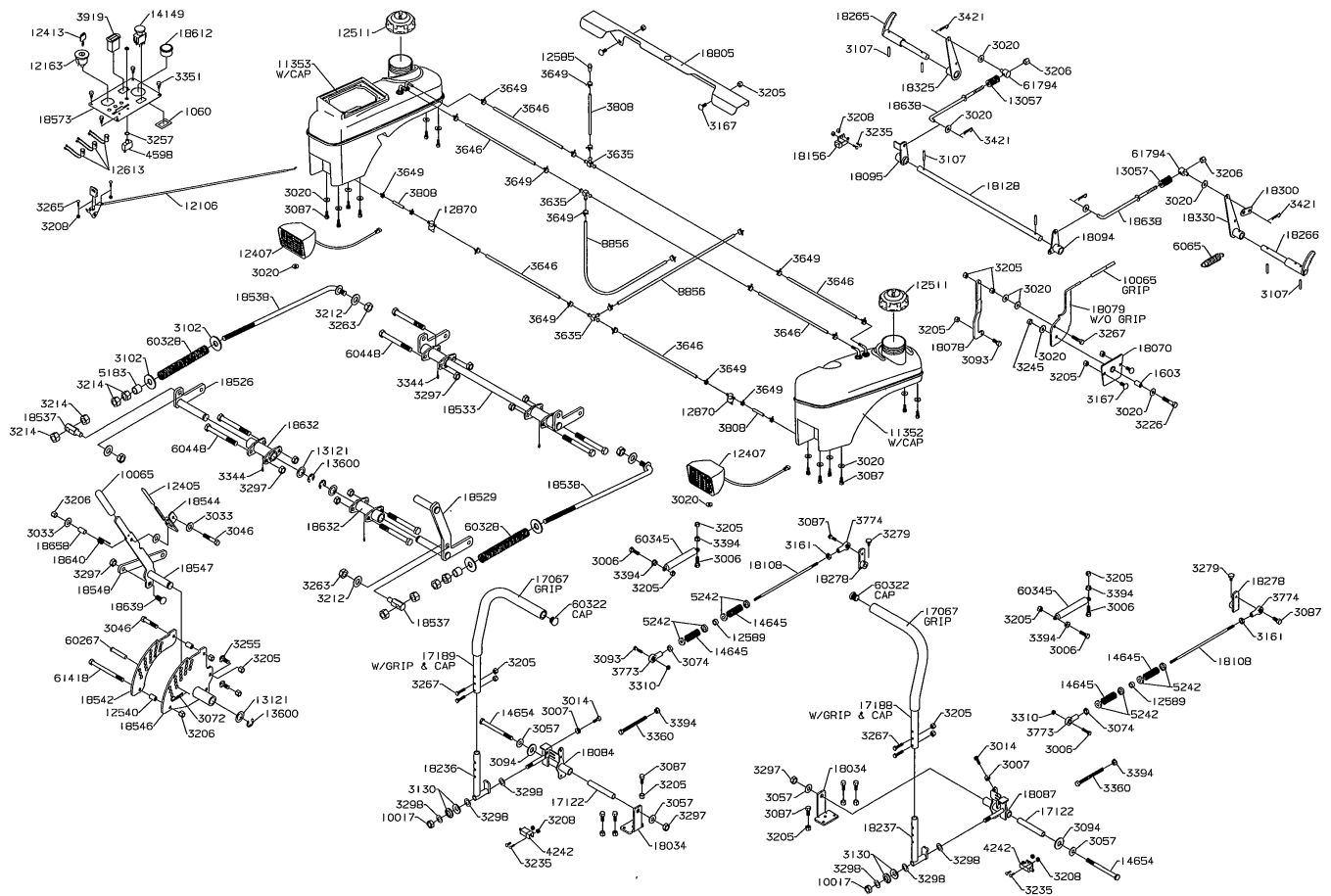
OTHER BLADES:  
10881 LO-LIFT FUSION  
10947 GATOR FUSION  
11427 HI-LIFT

HUB ASSEMBLY - 10788

DECK ASSEMBLY - 18425

10782 HI-LIFT FUSION



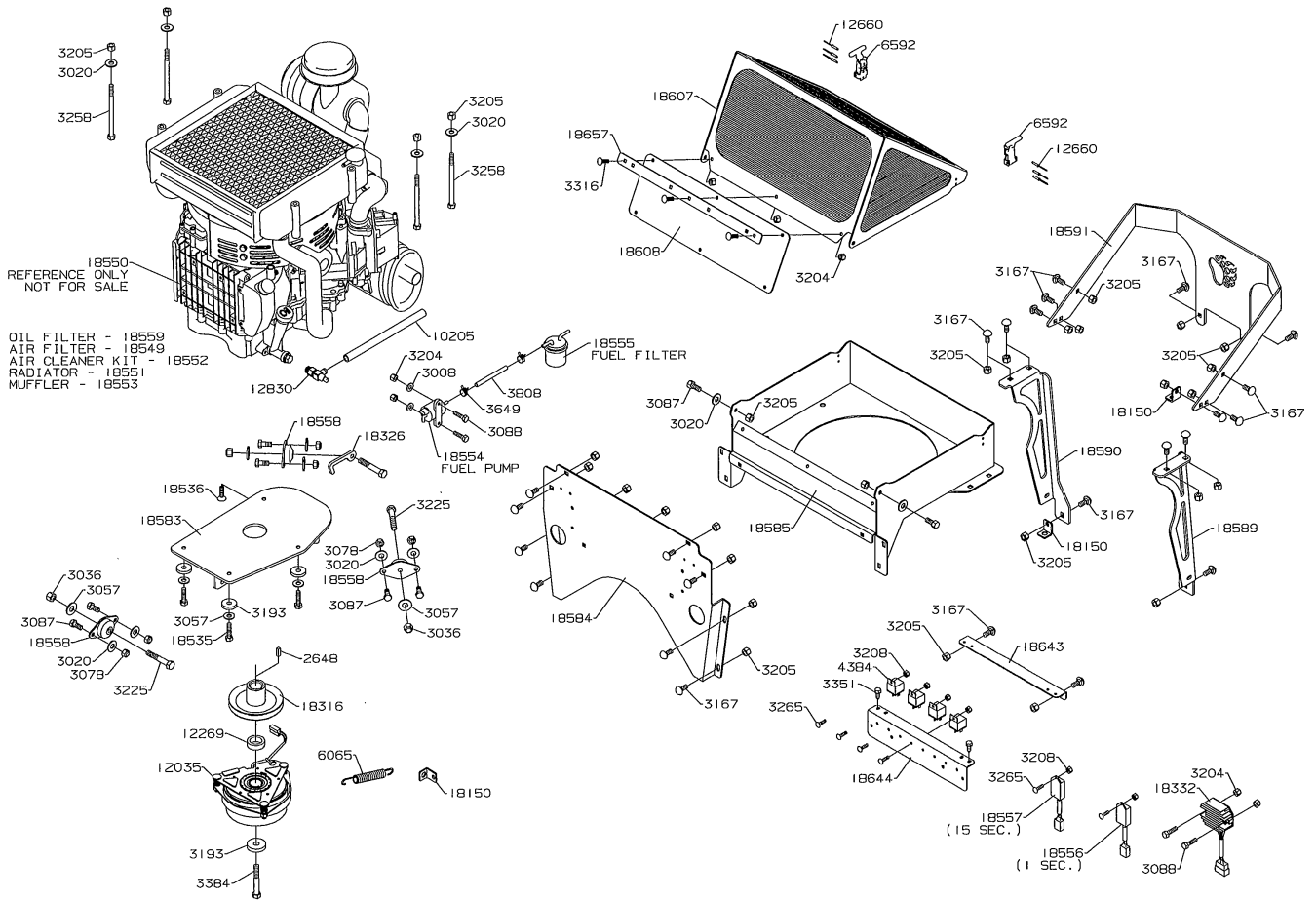


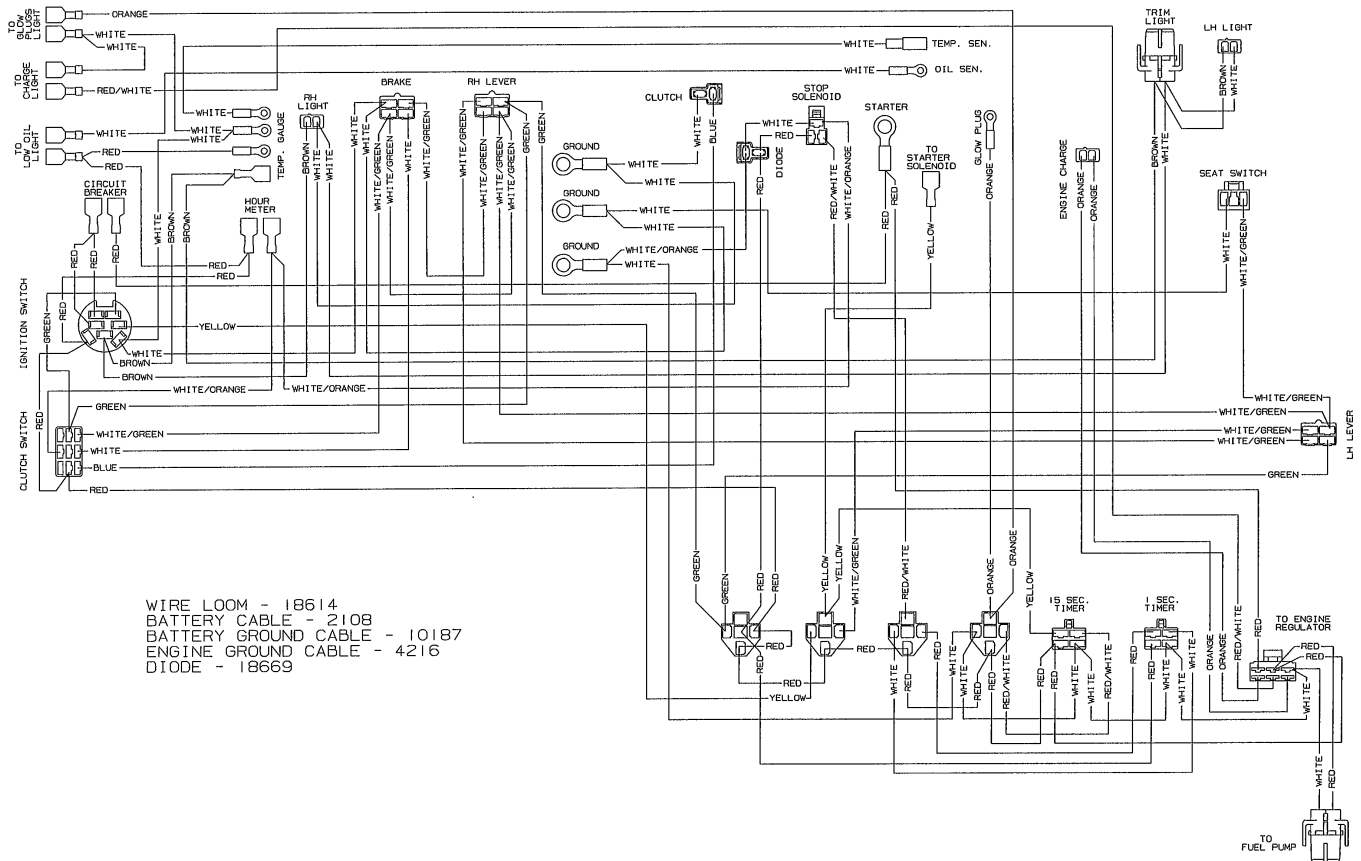
**2006 PRODUCTION**

**KODIAK DIESEL CONTROLS & FUEL TANKS**

2006 PRODUCTION

KODIAK DIESEL ENGINE RELATED PARTS





2006 PRODUCTION

KODIAK DIESEL WIRING