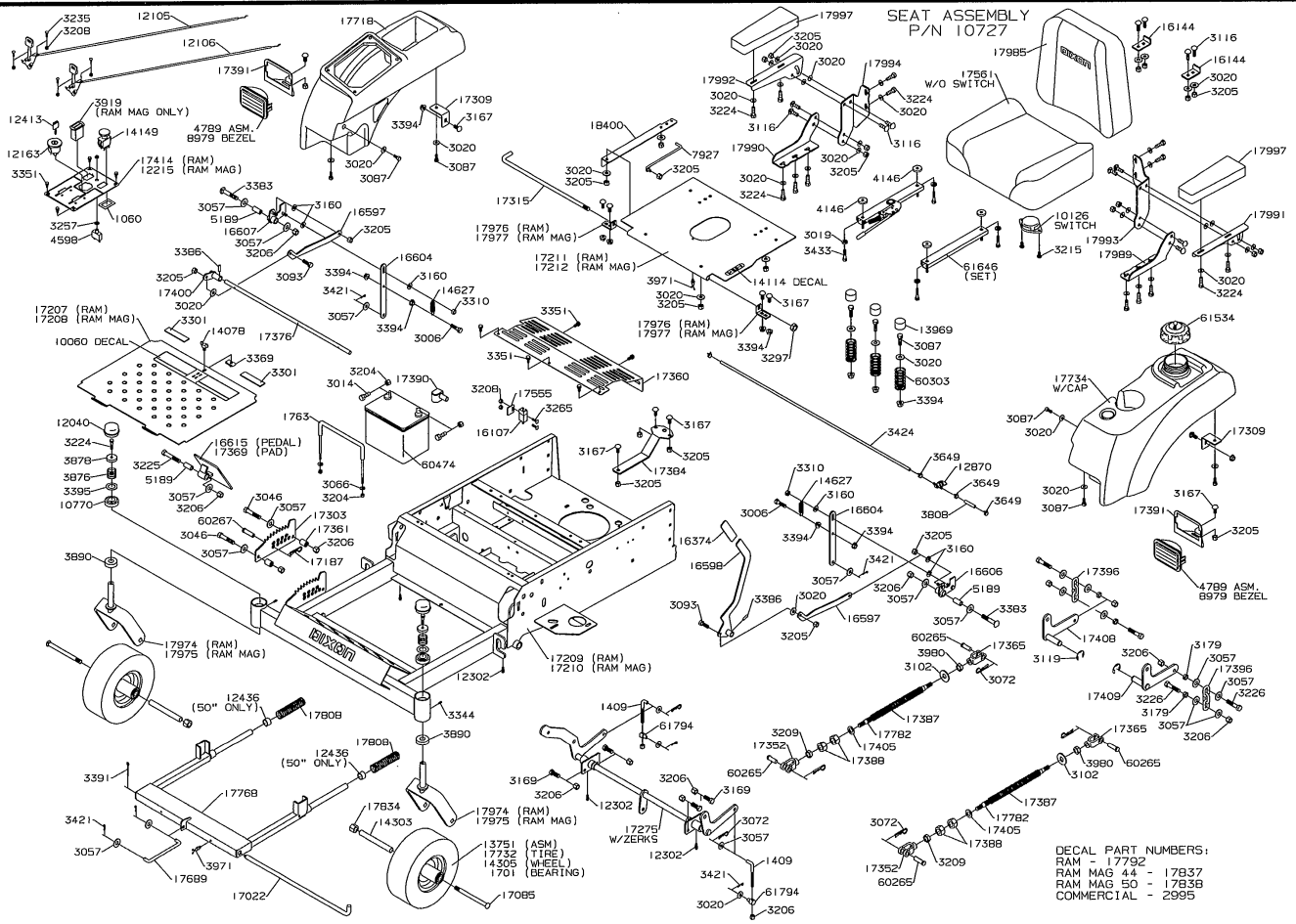
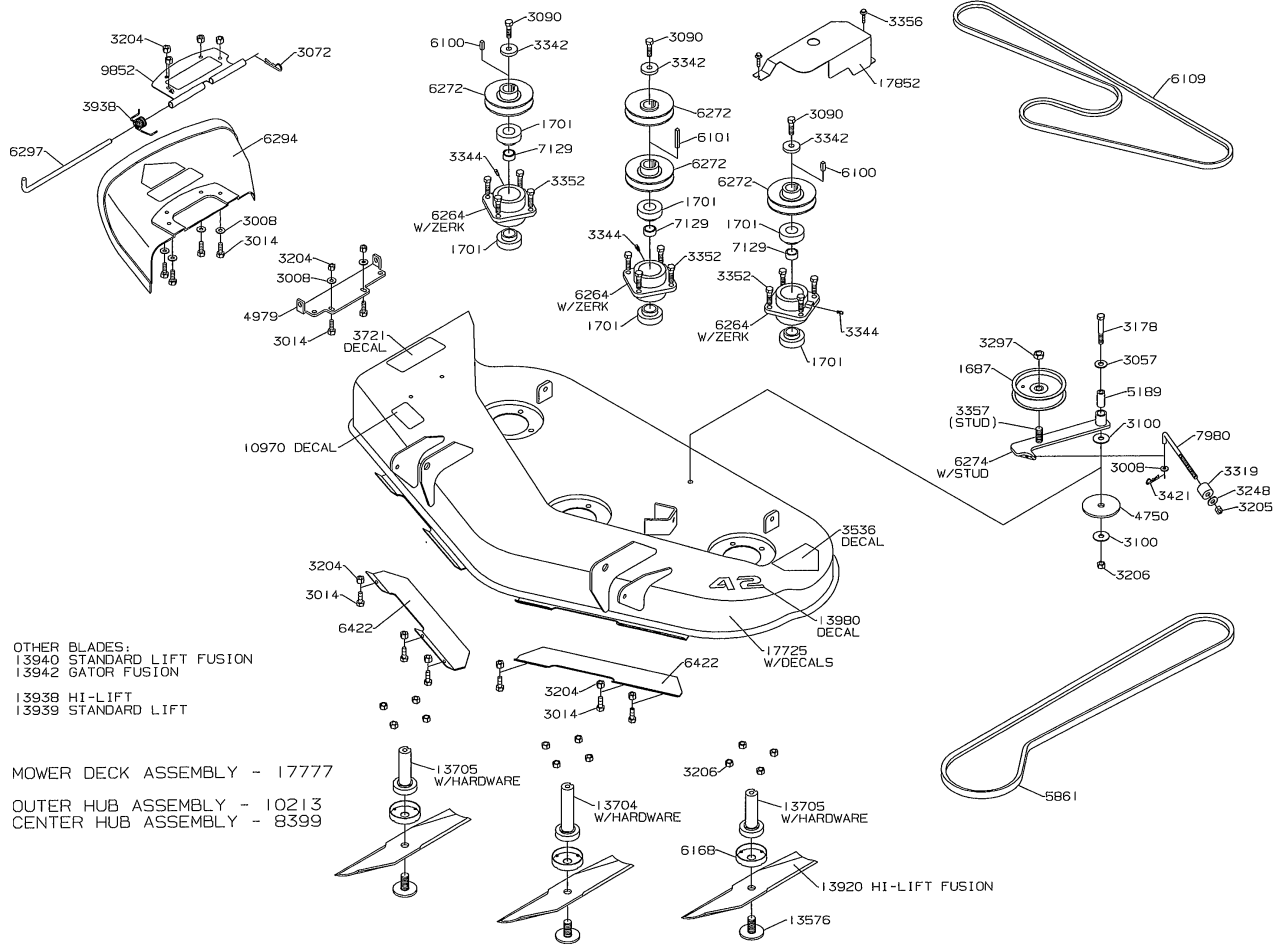


2006 PRODUCTION

44"/50" RAM CHASSIS



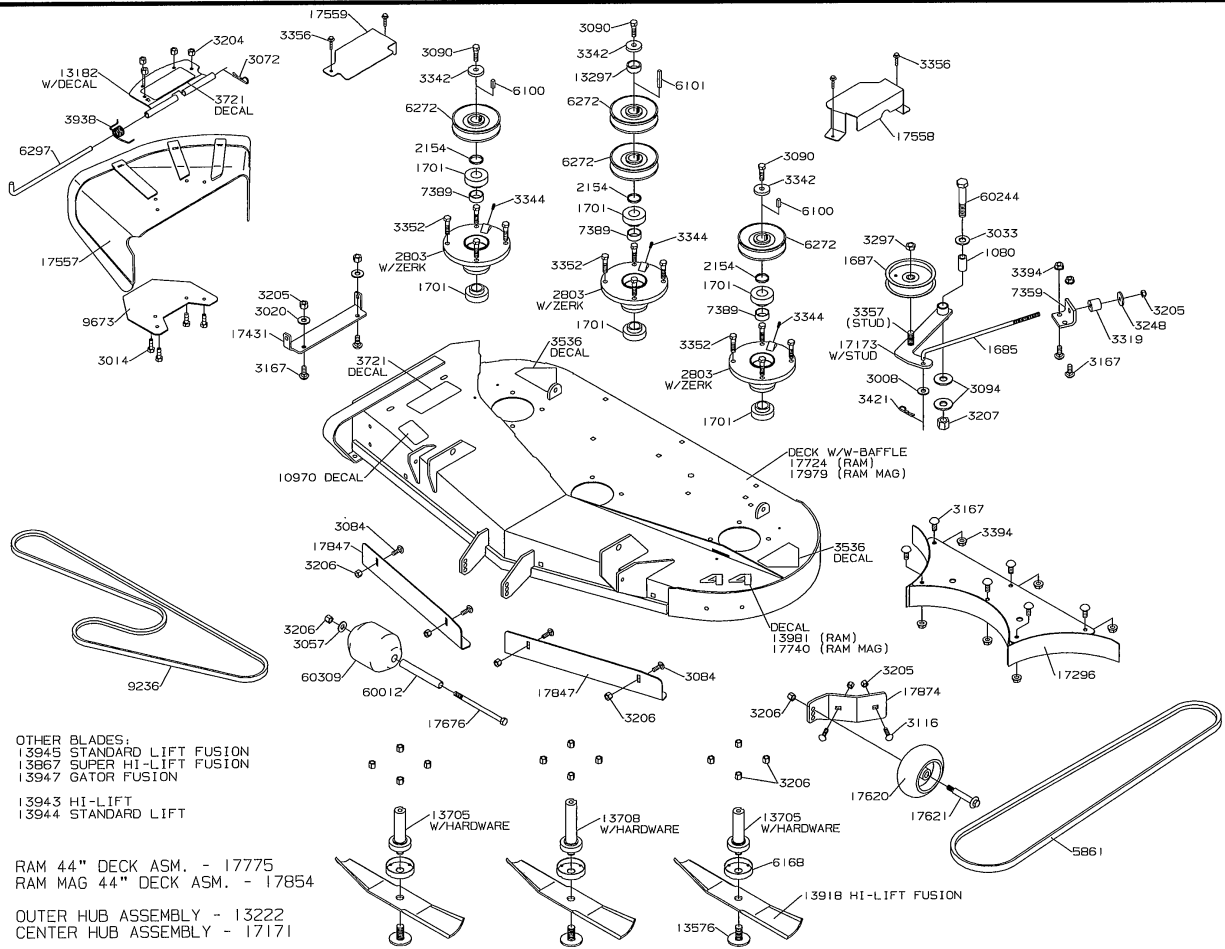


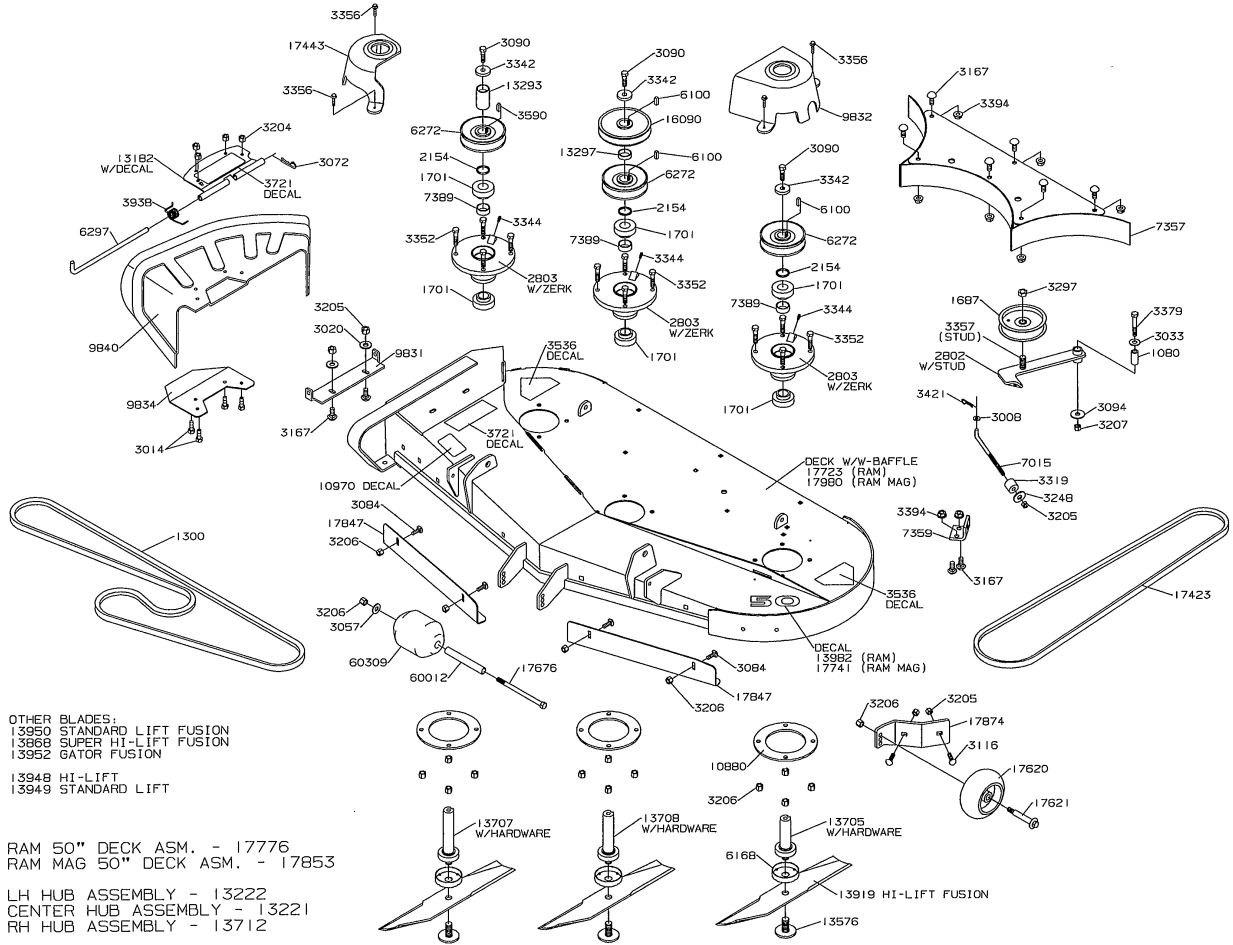
2006 PRODUCTION

42" RAM MOWER DECK

2006 PRODUCTION

44" RAM MOWER DECK



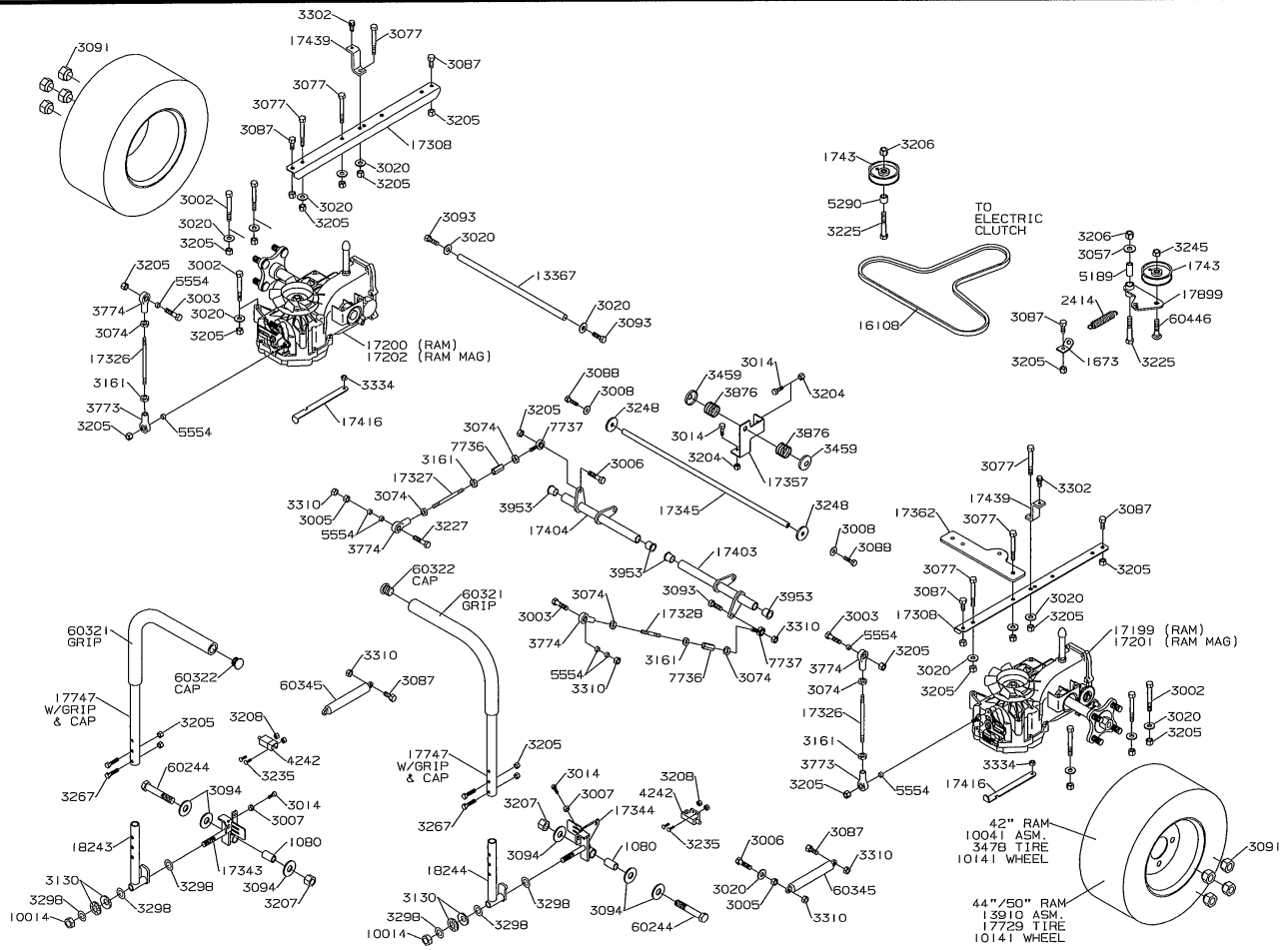


2006 PRODUCTION

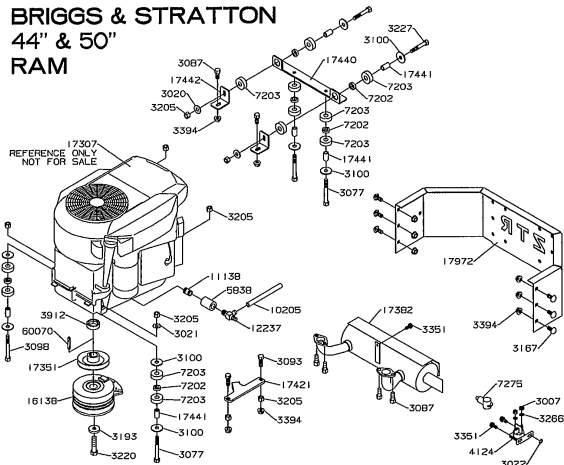
50" RAM MOWER DECK

2006 PRODUCTION

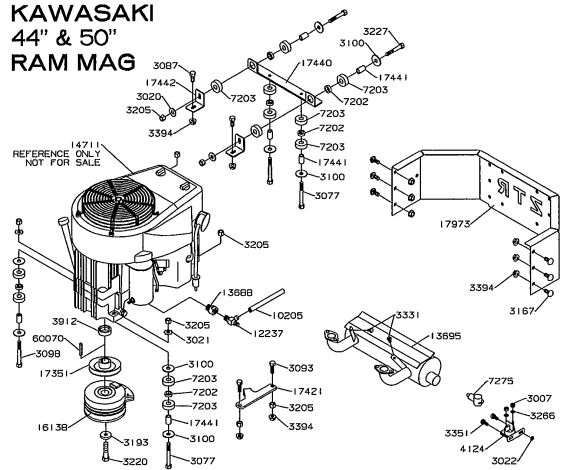
RAM DRIVE TRAIN



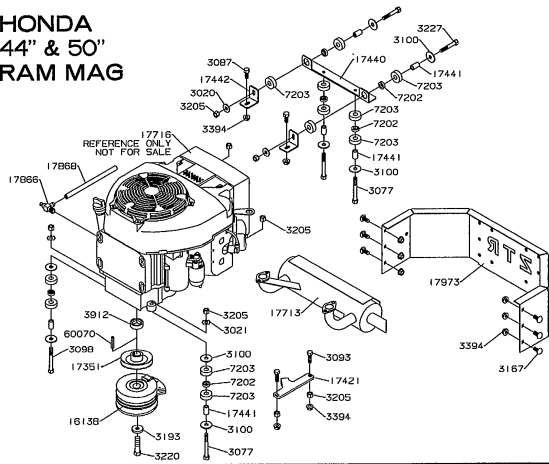
**BRIGGS & STRATTON
44" & 50"
RAM**



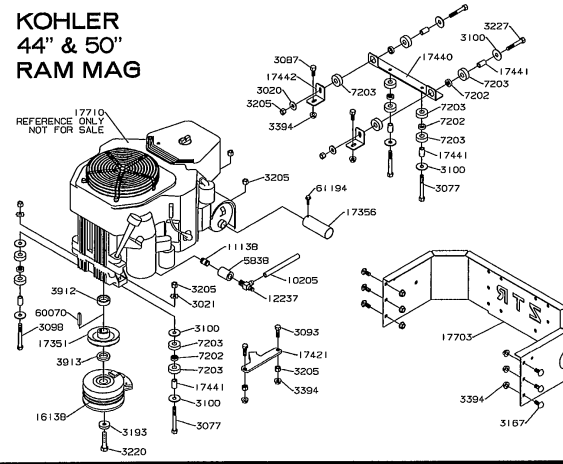
**KAWASAKI
44" & 50"
RAM MAG**



**HONDA
44" & 50"
RAM MAG**



**KOHLER
44" & 50"
RAM MAG**



2006 PRODUCTION

44"/50" RAM ENGINE RELATED PARTS

2006 PRODUCTION

RAM WIRING

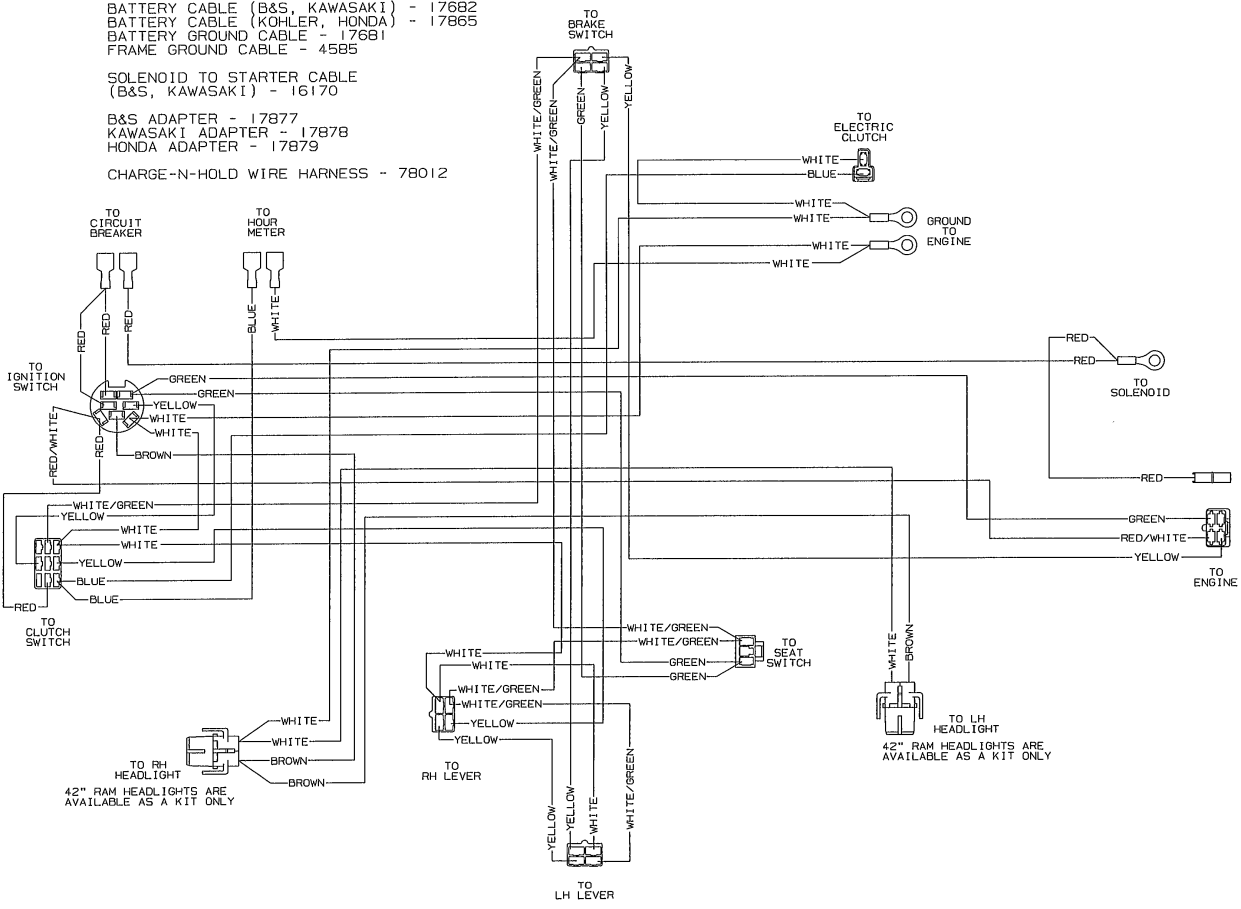
WIRE LOOM - 17876

BATTERY CABLE (B&S, KAWASAKI) - 17682
BATTERY CABLE (KOHLER, HONDA) - 17865
BATTERY GROUND CABLE - 17681
FRAME GROUND CABLE - 45B5

SOLENOID TO STARTER CABLE
(B&S, KAWASAKI) - 16170

B&S ADAPTER - 17877
KAWASAKI ADAPTER - 17878
HONDA ADAPTER - 17879

CHARGE-N-HOLD WIRE HARNESS - 78012



42" RAM HEADLIGHTS ARE AVAILABLE AS A KIT ONLY

42" RAM HEADLIGHTS ARE AVAILABLE AS A KIT ONLY